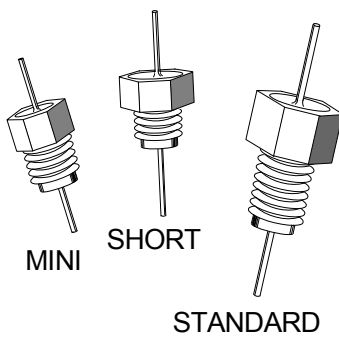


## 4-40 Low Pass Filters

4-40 style filters are the most popular style of threaded devices in the world. They are a perfect fit for today's requirement for small size, low cost, high performance, and manageability. EMI offers a variety of convenient sizes and circuit configurations to fit almost any requirement. Below is a short discussion of the different types with links to specific products:



4-40 STYLE	"C"	"L"	"Pi"	"T"
Mini (Hex Head)	<a href="#">B3C</a>	<a href="#">B3L</a>	N/A	N/A
Mini (Round Head)*	<a href="#">R3C</a>	<a href="#">R3L</a>	N/A	N/A
Short (Hex Head)	<a href="#">B5C</a>	<a href="#">B5L</a>	N/A	N/A
Standard (Hex Head)	<a href="#">B4C</a>	<a href="#">B4L</a>	N/A	N/A
Tall Head (Hex Head)	<a href="#">T4C</a>	<a href="#">T4L</a>	<a href="#">T4P</a>	<a href="#">T4T</a>

**\* New Product: Near .125" Spacing!**

**"Mini"**; Short thread length to minimize protrusion past bulkheads and smaller profile heads to allow tighter spacing. These are the smallest practical threaded components at commercial pricing. While they are limited in capacitance to .033uF due to their small size, they are also the most popular.

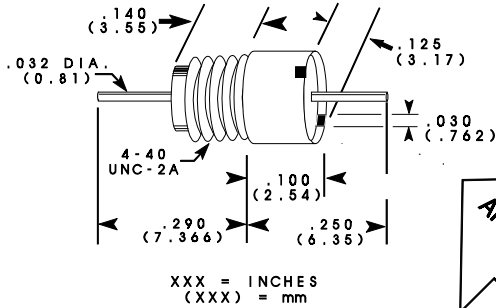
**"Short"**; Short thread length to minimize protrusion past bulkheads. They may have the same or marginally smaller size heads than standard sizes but go up to .1uF. They are used where the high capacitance or voltage are required and smaller thread length is desired.

**"Standard"**; Full length threads and heads. They are popular where lowest cost is the priority and spacing and protrusion are not a concern. These styles originated decades ago when larger bodies were needed to house long tubular capacitors.

# R3 SERIES MINI 4-40 "C" FILTER

## SMALLEST HEAD, SHORTEST THREAD 4-40 AVAILABLE

MINI 4-40  
"C" CIRCUIT



STANDARD R3 DIMENSIONS



Cap /Tolerance:

0pF - .033  $\mu$ F +100/-0%  
Other tolerances available.

Dissipation Factor:

3.5% Maximum

Insulation Resistance:

25°C = 1,000 Megohm- $\mu$ F  
125°C = 100 Megohm- $\mu$ F

Dielectric Strength (DWV):

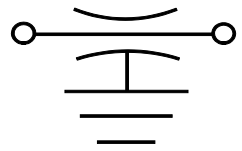
250% of Rated Voltage for 5 sec.

Max Mounting Torque:

32 in\*oz

Operating Temp:

-55°C to +125°C



Dimension Tolerances:

Case: +/- .015" (+/- .381mm) Lead Length: +/- .030" (+/- .762mm) Lead Dia.: +/- .002" (+/- .051mm)

Installation Temp:

N/A. Internal construction with high temp. Sn10 solder.

Material and Finish:

Steel case, copper leads, silver plating standard. Variations are available.

Marking:

Color dots standard. Custom marking available.

EMI PART NUMBER	CAP "C" CKT	COLOR DOT	MAX WVDC	DC AMPS	MIN. NO LOAD INSERTION LOSS (dB) @ 25°C PER MIL-STD-220				
					1MHz	10MHz	100MHz	1GHz	10GHz
R3C000D	"0" pF	NONE	200*	10	-	-	-	-	-
R3C050D	5 pF	2 ORANGE	20* 0	10	-	-	-	-	-
R3C100D	10 pF	VIOLET	200*	10	-	-	-	5	20
R3C250D	25 pF	BLUE	200*	10	-	-	-	10	25
R3C101D	100 pF	GREEN	200*	10	-	-	3	20	28
R3C501D	500 pF	BROWN	200*	10	-	-	15	35	40
R3C102D	1,000 pF	WHITE	200	10	-	5	20	35	45
R3C122D	1,200 pF	WHITE	200	10	-	5	20	35	45
R3C272D	2,700 pF	RED	200	10	5	10	25	40	50
R3C502B	5,000 pF	YELLOW	100	10	5	15	30	45	55
R3C103B	.01 $\mu$ F	2 WHITE	100	10	6	21	35	50	60
R3C153B	.015 $\mu$ F	2 WHITE	100	10	8	20	35	55	60
R3C273A	.027 $\mu$ F	2 RED	50	10	10	28	42	65	65
R3C333A	.033 $\mu$ F	2 RED	50	10	11	30	44	65	65

\* = HIGH VOLTAGE VARIANT AVAILABLE  
MOUNTING HARDWARE ON REQUEST

ASK FOR YOUR FREE INSERTION TOOL!

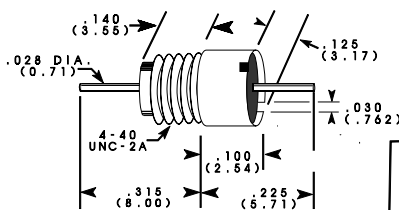


**EMI FILTER COMPANY**  
12750 59th Way North  
Clearwater, FL 33760  
727-585-7990 Fax: 727-586-5138  
Toll Free: 1-800-323-7990  
email: sales@emifiltercompany.com

# R3 SERIES MINI 4-40 "L" CIRCUIT

SMALLEST HEAD, SHORTEST THREAD 4-40 "L" AVAILABLE

MINI 4-40 "L"  
CIRCUIT



XXX = INCHES  
(XXX) = mm

STANDARD R3L DIMENSIONS

SPACING  
APPROACHING  
.125"

Cap /Tolerance:

0pF - .033  $\mu$ F +100/-0%  
Other tolerances available.

Dissipation Factor:

3.5% Maximum

Insulation Resistance:

25°C = 1,000 Megohm- $\mu$ F  
125°C = 100 Megohm- $\mu$ F

Dielectric Strength (DWV):

250% of Rated Voltage for 5 sec.

Max Mounting Torque: 32 in\*oz

Operating Temp:

-55°C to +125°C



Dimension Tolerances: Case: +/- .015" (+/- .381mm)

Lead Length: +/- .030" (+/- .762mm) Lead Dia.: +/- .002" (+/- .051mm)

Installation Temp: N/A. Internal construction with high temp. Sn10 solder.

Material and Finish: Steel case, copper leads, silver plating standard. Variations are available.

Marking: Color dots standard. Custom marking available.

EMI PART NUMBER	CAP "L" CKT	COLOR DOT	MAX WVDC	DC AMPS	TYP. NO LOAD INSERTION LOSS (dB) @ 25°C PER MIL-STD-220				
					1MHz	10MHz	100MHz	1GHz	10GHz
R3L000D	"0" pF	NONE	200*	10	-	-	-	-	-
R3L050D	5 pF	2 ORANGE	200*	10	-	-	-	-	-
R3L100D	10 pF	VIOLET	200*	10	-	-	-	7	20
R3L250D	25 pF	BLUE	200*	10	-	-	-	13	25
R3L101D	100 pF	GREEN	200*	10	-	-	5	22	35
R3L501D	500 pF	BROWN	200*	10	-	-	18	37	45
R3L102D	1,000 pF	WHITE	200	10	-	8	25	40	40
R3L122D	1,200 pF	WHITE	200	10	-	8	28	42	50
R3L272D	2,700 pF	RED	200	10	8	13	32	45	55
R3L502B	5,000 pF	YELLOW	100	10	7	17	35	47	55
R3L103B	.01 $\mu$ F	2 WHITE	100	10	8	27	48	65	65
R3L153B	.015 $\mu$ F	2 WHITE	100	10	10	28	50	65	65
R3L273A	.027 $\mu$ F	2 RED	50	10	13	35	53	75	75
R3L333A	.033 $\mu$ F	2 RED	50	10	13	33	55	75	75

/ = High Voltage Variant Available  
MOUNTING HARDWARE ON REQUEST



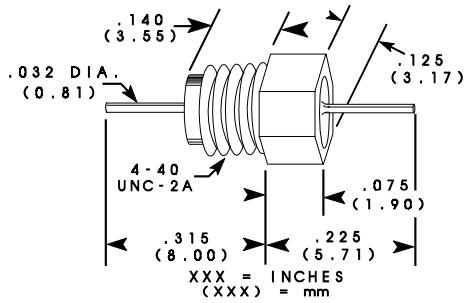
**EMI FILTER COMPANY**  
12750 59th Way North  
Clearwater, FL 33760  
727-585-7990 Fax: 727-586-5138  
Toll Free: 1-800-323-7990  
email: sales@emifiltercompany.com

ASK FOR YOUR FREE INSERTION TOOL!

# B3 SERIES MINI 4-40 "C" FILTER

MINI (SMALL HEAD, SHORT THREAD) 4-40

MINI 4-40  
"C" CIRCUIT



STANDARD B3 DIMENSIONS

Cap /Tolerance:

0pF - .033  $\mu$ F +100/-0%  
Other tolerances available.

Dissipation Factor:

3.5% Maximum

Insulation Resistance:

25°C = 1,000 Megohm- $\mu$ F

125°C = 100 Megohm- $\mu$ F

Dielectric Strength (DWV):

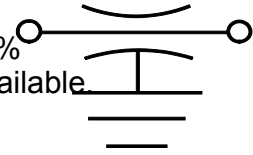
250% of Rated Voltage for 5 sec.

Max Mounting Torque:

2.0 in\*lbs

Operating Temp:

-55°C to +125°C



Dimension Tolerances:

Case: +/- .015" (+/- .381mm) Lead Length: +/- .030" (+/- .762mm) Lead Dia.: +/- .002" (+/- .051mm)

Installation Temp:

N/A. Internal construction with high temp. Sn10 solder.

Material and Finish:

Steel case, copper leads, silver plating standard. Variations are available.

Marking:

Color dots standard. Custom marking available.

EMI PART NUMBER	CAP "C" CKT	COLOR DOT	MAX WVDC	DC AMPS	MIN. NO LOAD INSERTION LOSS (dB) @ 25°C PER MIL-STD-220				
					1MHz	10MHz	100MHz	1GHz	10GHz
B3C000D	"0" pF	NONE	200*	10	-	-	-	-	-
B3C050D	5 pF	2 ORANGE	200*	10	-	-	-	-	-
B3C100D	10 pF	VIOLET	200*	10	-	-	-	5	20
B3C250D	25 pF	BLUE	200*	10	-	-	-	10	25
B3C101D	100 pF	GREEN	200*	10	-	-	3	20	28
B3C501D	500 pF	BROWN	200*	10	-	-	15	35	40
B3C102D	1,000 pF	WHITE	200	10	-	5	20	35	45
B3C122D	1,200 pF	WHITE	200	10	-	5	20	35	45
B3C272D	2,700 pF	RED	200	10	5	10	25	40	50
B3C502B	5,000 pF	YELLOW	100	10	5	15	30	45	55
B3C103B	.01 $\mu$ F	2 WHITE	100	10	6	21	35	50	60
B3C153B	.015 $\mu$ F	2 WHITE	100	10	8	20	35	55	60
B3C273A	.027 $\mu$ F	2 RED	50	10	10	28	42	65	65
B3C333A	.033 $\mu$ F	2 RED	50	10	11	30	44	65	65

\*High Voltage Variant Available  
MOUNTING HARDWARE ON REQUEST

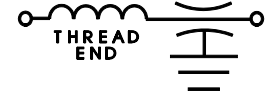
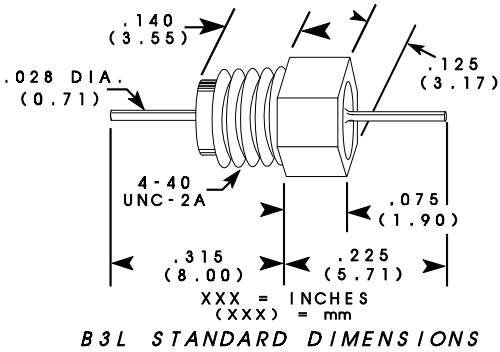


**EMI FILTER COMPANY**  
12750 59th Way North  
Clearwater, FL 33760  
727-585-7990 Fax: 727-586-5138  
Toll Free: 1-800-323-7990  
email: sales@emifiltercompany.com

# B3 SERIES MINI 4-40 "L" FILTER

MINI (SMALL HEAD, SHORT THREAD) 4-40

MINI 4-40 "L"  
CIRCUIT



Cap /Tolerance:

0pF - .033  $\mu$ F +100/-0%  
Other tolerances available.

Dissipation Factor:

3.5% Maximum

Insulation Resistance:

25°C = 1,000 Megohm- $\mu$ F  
125°C = 100 Megohm- $\mu$ F

Dielectric Strength (DWV):

250% of Rated Voltage for 5 sec.

Max Mounting Torque:

2.0 in\*lbs

Operating Temp:

-55°C to +125°C

Dimension Tolerances:

Case: +/- .015" (+/- .381mm) Lead Length: +/- .030" (+/- .762mm) Lead Dia.: +/- .002" (+/- .051mm)

Installation Temp: N/A. Internal construction with high temp. Sn10 solder.

Material and Finish: Steel case, copper leads, silver plating standard. Variations are available.

Marking: Color dots standard. Custom marking available.

EMI PART NUMBER	CAP "L" CKT	COLOR DOT	MAX WVDC	DC AMPS	TYP. NO LOAD INSERTION LOSS (dB) @ 25°C PER MIL-STD-220				
					1MHz	10MHz	100MHz	1GHz	10GHz
B3L000D	"0" pF	NONE	200*	10	-	-	-	-	-
B3L050D	5 pF	2 ORANGE	200*	10	-	-	-	-	-
B3L100D	10 pF	VIOLET	200*	10	-	-	-	7	20
B3L250D	25 pF	BLUE	200*	10	-	-	-	13	25
B3L101D	100 pF	GREEN	200*	10	-	-	5	22	35
B3L501D	500 pF	BROWN	200*	10	-	-	18	37	45
B3L102D	1,000 pF	WHITE	200	10	-	8	25	40	40
B3L122D	1,200 pF	WHITE	200	10	-	8	28	42	50
B3L272D	2,700 pF	RED	200	10	8	13	32	45	55
B3L502B	5,000 pF	YELLOW	100	10	7	17	35	47	55
B3L103B	.01 $\mu$ F	2 WHITE	100	10	8	27	48	65	65
B3L153B	.015 $\mu$ F	2 WHITE	100	10	10	28	50	65	65
B3L273A	.027 $\mu$ F	2 RED	50	10	13	35	53	75	75
B3L333A	.033 $\mu$ F	2 RED	50	10	13	33	55	75	75

\* = High Voltage Variant Available

MOUNTING HARDWARE ON REQUEST

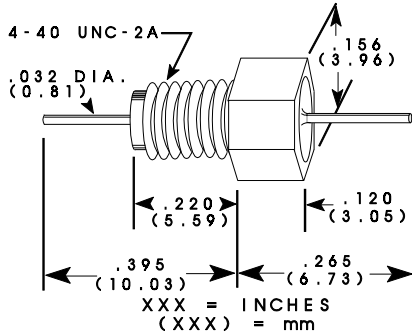


**EMI FILTER COMPANY**  
12750 59th Way North  
Clearwater, FL 33760  
727-585-7990 Fax: 727-586-5138  
Toll Free: 1-800-323-7990  
email: sales@emifiltercompany.com

# B4 SERIES 4-40 "C" FILTER

## INDUSTRY STANDARD 4-40

STD. 4-40  
"C" CIRCUIT



**B4 STANDARD DIMENSIONS**

Cap /Tolerance:

0pF - .1 $\mu$ F +100/-0%  
Other tolerances available.

Dissipation Factor:

3.5% Maximum

Insulation Resistance:

25°C = 1,000 Megohm- $\mu$ F  
125°C = 100 Megohm- $\mu$ F

Dielectric Strength (DWV):

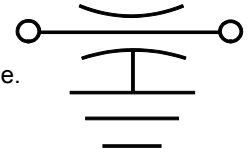
250% of Rated Voltage for 5 sec.

Max Mounting Torque:

2.0 in\*lbs

Operating Temp:

-55°C to +125°C



Dimension Tolerances:

Case: +/- .015" (+/- .381mm) Lead Length: +/- .030" (+/- .762mm) Lead Dia.: +/- .002" (+/- .051mm)

Installation Temp:

N/A. Internal construction with high temp. Sn10 solder.

Material and Finish:

Steel case, copper leads, silver plating standard. Variations are available.

Marking:

Color dots standard. Custom marking available.

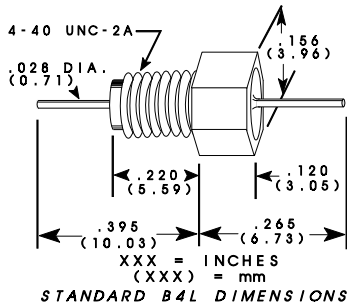
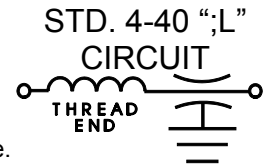
EMI PART NUMBER	CAP "C" CKT	COLOR DOT	MAX WVDC	DC AMPS	MIN. NO LOAD INSERTION LOSS (dB) @ 25°C PER MIL-STD-220				
					1MHz	10MHz	100MHz	1GHz	10GHz
B4C000D	"0" pF	NONE	200*	10	-	-	-	-	-
B4C050D	5 pF	2 ORANGE	200*	10	-	-	-	-	-
B4C100D	10 pF	VIOLET	200*	10	-	-	-	5	20
B4C250D	25 pF	BLUE	200*	10	-	-	-	10	25
B4C101D	100 pF	GREEN	200*	10	-	-	3	20	28
B4C501D	500 pF	BROWN	200*	10	-	-	15	35	40
B4C102D	1,000 pF	WHITE	200*	10	-	5	20	35	45
B4C122D	1,200 pF	WHITE	200*	10	-	5	20	35	45
B4C272D	2,700 pF	RED	200*	10	5	10	25	40	50
B4C502D	5,000 pF	YELLOW	200	10	5	15	30	45	55
B4C103D	.01 $\mu$ F	2 WHITE	200	10	6	21	35	50	60
B4C153B	.015 $\mu$ F	2 WHITE	100	10	8	20	35	55	60
B4C273B	.027 $\mu$ F	2 RED	100	10	10	28	42	65	65
B4C333B	.033 $\mu$ F	2 RED	100	10	11	30	44	65	65
B4C503B	.05 $\mu$ F	2 YELLOW	100	10	15	35	45	65	65
B4C104A	.1 $\mu$ F	3 WHITE	50	10	22	40	47	65	65

\* = HIGH VOLTAGE VARIANT AVAILABLE  
MOUNTING HARDWARE ON REQUEST

	<p><b>EMI FILTER COMPANY</b> 12750 59th Way North Clearwater, FL 33760 727-585-7990 Fax: 727-586-5138 Toll Free: 1-800-323-7990 email: sales@emifiltercompany.com</p>
--	---

# B4 SERIES 4-40 "L" FILTER

## INDUSTRY STANDARD 4-40 CASE



Cap /Tolerance:

0pF - .1 $\mu$ F +100/-0%  
Other tolerances available.

Dissipation Factor:

3.5% Maximum

Insulation Resistance:

25°C = 1,000 Megohm- $\mu$ F  
125°C = 100 Megohm- $\mu$ F

Dielectric Strength (DWV):

250% of Rated Voltage for 5 sec.

Max Mounting Torque:

2.0 in\*lbs

Operating Temp:

-55°C to +125°C

Dimension Tolerances:

Case: +/- .015" (+/- .381mm) Lead Length: +/- .030" (+/- .762mm) Lead Dia.: +/- .002" (+/- .051mm)

Installation Temp:

N/A. Internal construction with high temp. Sn10 solder.

Material and Finish:

Steel case, copper leads, silver plating standard. Variations are available.

Marking:

Color dots standard. Custom marking available.

EMI PART NUMBER	CAP "L" CKT	COLOR DOT	MAX WVDC	DC AMPS	TYP. NO LOAD INSERTION LOSS (dB) @ 25°C PER MIL-STD-220				
					1MHz	10MHz	100MHz	1GHz	10GHz
B4L000D	"0"pF	NONE	200*	10	-	-	-	-	-
B4L050D	5 pF	2 ORANGE	200*	10	-	-	-	-	-
B4L100D	10 pF	VIOLET	200*	10	-	-	-	7	20
B4L250D	25 pF	BLUE	200*	10	-	-	-	13	25
B4L101D	100 pF	GREEN	200*	10	-	-	7	22	35
B4L501D	500 pF	BROWN	200*	10	-	-	18	37	45
B4L102D	1,000 pF	WHITE	200	10	-	8	25	40	40
B4L122D	1,200 pF	WHITE	200	10	-	8	28	42	50
B4L272D	2,700 pF	RED	200	10	8	13	32	45	55
B4L502D	5,000 pF	YELLOW	200	10	7	17	35	47	55
B4L103D	.01 $\mu$ F	2 WHITE	200	10	8	27	48	65	65
B4L153B	.015 $\mu$ F	2 WHITE	100	10	10	28	50	65	60
B4L273B	.027 $\mu$ F	2 RED	100	10	13	35	53	75	65
B4L333B	.033 $\mu$ F	2 RED	100	10	13	33	55	75	75
B4L503B	.05 $\mu$ F	2 YELLOW	100	10	18	37	49	80	80
B4L104A	.1 $\mu$ F	3 WHITE	50	10	28	48	60	90	90

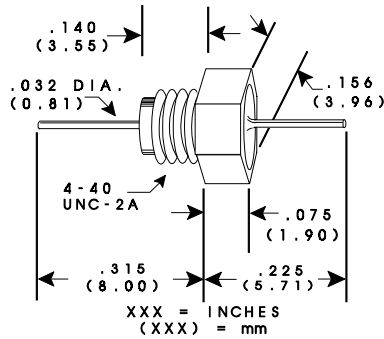


\* = HIGH VOLTAGE VARIANT AVAILABLE  
MOUNTING HARDWARE ON REQUEST

# B5 SERIES 4-40 "C" FILTER

## SMALL(SHORT THREAD, SHALLOW HEX) 4-40

SMALL 4-40  
"C" CIRCUIT



**B5 STANDARD DIMENSIONS**

Cap /Tolerance:

0pF - .1 $\mu$ F +100/-0%  
Other tolerances available.

Dissipation Factor:

3.5% Maximum

Insulation Resistance:

25°C = 1,000 Megohm- $\mu$ F  
125°C = 100 Megohm- $\mu$ F

Dielectric Strength (DWV):

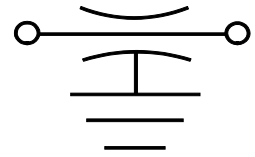
250% of Rated Voltage for 5 sec.

Max Mounting Torque:

2.0 in\*lbs

Operating Temp:

-55°C to +125°C



Dimension Tolerances:

Case: +/- .015" (+/- .381mm) Lead Length: +/- .030" (+/- .762mm) Lead Dia.: +/- .002" (+/- .051mm)

Installation Temp:

N/A. Internal construction with high temp. Sn10 solder.

Material and Finish:

Steel case, copper leads, silver plating standard. Variations are available.

Marking: Color dots standard. Custom marking available.

EMI PART NUMBER	CAP "C" CKT	COLOR DOT	MAX WVDC	DC AMPS	MIN. NO LOAD INSERTION LOSS (dB) @ 25°C PER MIL-STD-220				
					1MHz	10MHz	100MHz	1GHz	10GHz
B5C000D	"0"pF	NONE	200*	10	-	-	-	-	-
B5C050D	5 pF	2 ORANGE	200*	10	-	-	-	-	-
B5C100D	10 pF	VIOLET	200*	10	-	-	-	5	20
B5C250D	25 pF	BLUE	200*	10	-	-	-	10	25
B5C101D	100 pF	GREEN	200*	10	-	-	3	20	28
B5C501D	500 pF	BROWN	200*	10	-	-	15	35	40
B5C102D	1,000 pF	WHITE	200	10	-	5	20	35	45
B5C122D	1,200 pF	WHITE	200	10	-	5	20	35	45
B5C272D	2,700 pF	RED	200	10	5	10	25	40	50
B5C502D	5,000 pF	YELLOW	200	10	5	15	30	45	55
B5C103D	.01 $\mu$ F	2 WHITE	200	10	6	21	35	50	60
B5C153B	.015 $\mu$ F	2 WHITE	100	10	8	20	35	55	60
B5C273B	.027 $\mu$ F	2 RED	100	10	10	28	42	65	65
B5C333B	.033 $\mu$ F	2 RED	100	10	11	30	44	65	65
B5C503B	.05 $\mu$ F	2 YELLOW	100	10	15	35	45	65	65
B5C104A	.1 $\mu$ F	3 WHITE	50	10	22	40	47	65	65

\* = HIGH VOLTAGE VARIANT AVAILABLE

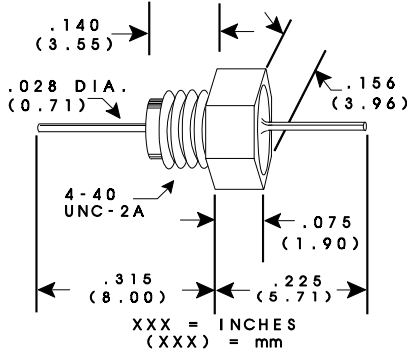
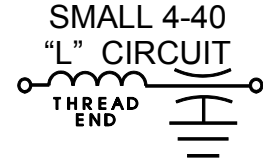
**MOUNTING HARDWARE ON REQUEST**



**EMI FILTER COMPANY**  
12750 59th Way North  
Clearwater, FL 33760  
727-585-7990 Fax: 727-586-5138  
Toll Free: 1-800-323-7990  
email: sales@emifiltercompany.com

# B5 SERIES 4-40 "L" FILTER

## SMALL (SHORT THREAD, SHALLOW HEX) 4-40



- Cap /Tolerance:  
0pF - .1μF +100/-0%  
Other tolerances available.
- Dissipation Factor:  
3.5% Maximum
- Insulation Resistance:  
25°C = 1,000 Megohm-μF  
125°C = 100 Megohm-μF
- Dielectric Strength (DWV):  
250% of Rated Voltage for 5 sec.
- Max Mounting Torque:  
2.0 in\*lbs
- Operating Temp:  
-55°C to +125°C

### B5L STANDARD DIMENSIONS

Dimension Tolerances:

Case: +/- .015" (+/- .381mm) Lead Length: +/- .030" (+/- .762mm) Lead Dia.: +/- .002" (+/- .051mm)

Installation Temp:

N/A. Internal construction with high temp. Sn10 solder.

Material and Finish:

Steel case, copper leads, silver plating standard. Variations are available.

Marking:

Color dots standard. Custom marking available.

EMI PART NUMBER	CAP "L" CKT	COLOR DOT	MAX WVDC	DC AMPS	TYP. NO LOAD INSERTION LOSS (dB) @ 25°C PER MIL-STD-220				
					1MHz	10MHz	100MHz	1GHz	10GHz
B5L000D	"0"pF	NONE	200*	10	-	-	-	-	-
B5L050D	5 pF	2 ORANGE	200*	10	-	-	-	-	-
B5L100D	10 pF	VIOLET	200*	10	-	-	-	7	20
B5L250D	25 pF	BLUE	200*	10	-	-	-	13	25
B5L101D	100 pF	GREEN	200*	10	-	-	5	22	35
B5L501D	500 pF	BROWN	200*	10	-	-	18	37	45
B5L102D	1,000 pF	WHITE	200*	10	-	8	25	40	40
B5L122D	1,200 pF	WHITE	200	10	-	8	28	42	50
B5L272D	2,700 pF	RED	200	10	8	13	32	45	55
B5L502D	5,000 pF	YELLOW	200	10	7	17	35	47	55
B5L103D	.01 μF	2 WHITE	200	10	8	27	48	65	65
B5L153B	.015 μF	2 WHITE	100	10	10	28	50	65	65
B5L273B	.027 μF	2 RED	100	10	13	35	53	75	75
B5L333B	.033 μF	2 RED	100	10	13	33	55	75	75
B5L503B	.05 μF	2 YELLOW	100	10	18	37	49	80	80
B5L104A	.1 μF	3 WHITE	50	10	28	48	60	90	90

\* = HIGH VOLTAGE VARIANT AVAILABLE  
MOUNTING HARDWARE ON REQUEST

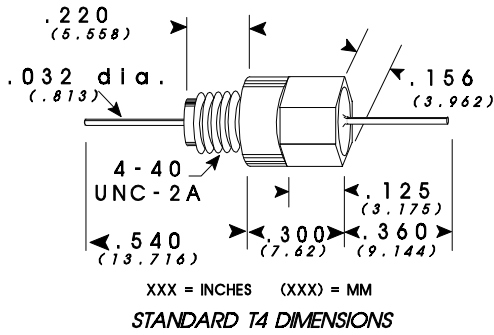


**EMI FILTER COMPANY**  
12750 59th Way North  
Clearwater, FL 33760  
727-585-7990 Fax: 727-586-5138  
Toll Free: 1-800-323-7990  
email: sales@emifiltercompany.com

# T4 SERIES "C" FILTERS

TALL-HEAD 4-40

TALL-HEAD 4-40  
"C" CIRCUIT



Cap /Tolerance:

.10 - .50 $\mu$ F +100/-0%  
Other tolerances available.

Dissipation Factor:

3.5% Maximum

Insulation Resistance:

25°C = 1,000 Megohm- $\mu$ F  
125°C = 100 Megohm- $\mu$ F

Dielectric Strength (DWV):

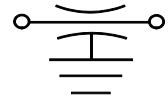
250% of Rated Voltage for 5 sec.

Max Mounting Torque:

2.0 in\*lbs

Operating Temp:

-55°C to +125°C



Dimension Tolerances:

Case: +/- .015" (+/- .381mm) Lead Length: +/- .030" (+/- .762mm) Lead Dia.: +/- .002" (+/- .051mm)

Installation Temp:

N/A. Internal construction with high temp. Sn10 solder.

Material and Finish:

Steel case, copper leads, silver plating standard. Variations are available.

Marking:

Color dots standard. Custom marking available.

EMI PART NUMBER	CAP ( $\mu$ F) & CIRCUIT	COLOR DOT	MAX WVDC	DC AMPS	TYP. NO LOAD INSERTION LOSS (dB) @ 25°C PER MIL-STD-220				
					1MHz	10MHz	100MHz	1GHz	10GHz
T4C104B	.10 "C"	3 WHITE	100	10	22	40	47	65	65
T4C204A	.20 "C"	2 GREEN	50	10	27	38	53	65	65
T4C254A	.25 "C"	2 BLUE	50	10	30	40	55	70	75
T4C304A	.30 "C"	2 VIOLET	50	10	31	42	56	70	75
T4C334A	.33 "C"	3 RED	50	10	36	44	60	72	75
T4C404A	.40 "C"	3 GREEN	50	10	36	45	62	72	75
T4C504A	.50 "C"	3 YELLOW	50	10	36	47	65	75	75

MOUNTING HARDWARE ON REQUEST

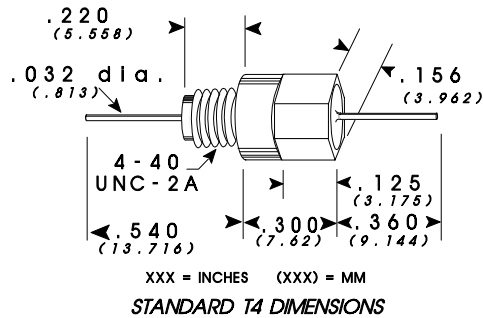


**EMI FILTER COMPANY**  
12750 59th Way North  
Clearwater, FL 33760  
727-585-7990 Fax: 727-586-5138  
Toll Free: 1-800-323-7990  
email: sales@emifiltercompany.com

# T4 SERIES "L" FILTERS

TALL HEAD 4-40

TALL-HEAD 4-40  
"L" CIRCUIT



Cap /Tolerance:

.10 - .50 $\mu$ F +100/-0%  
Other tolerances available.

Dissipation Factor:

3.5% Maximum

Insulation Resistance:

25°C = 1,000 Megohm- $\mu$ F  
125°C = 100 Megohm- $\mu$ F

Dielectric Strength (DWV):

250% of Rated Voltage for 5 sec.

Max Mounting Torque:

2.0 in\*lbs

Operating Temp:

-55°C to +125°C

Dimension Tolerances:

Case: +/- .015" (+/- .381mm) Lead Length: +/- .030" (+/- .762mm) Lead Dia.: +/- .002" (+/- .051mm)

Installation Temp:

N/A. Internal construction with high temp. Sn10 solder.

Material and Finish:

Steel case, copper leads, silver plating standard. Variations are available.

Marking:

EMI PART NUMBER	CAP ( $\mu$ F)	COLOR DOT	MAX WVDC	DC AMPS	TYP. NO LOAD INSERTION LOSS (dB) @ 25°C PER MIL-STD-220				
					1MHz	10MHz	100MHz	1GHz	10GHz
* T4L104B	.10	3 WHITE	100	10	25	40	50	70	75
* T4L204A	.20	2 GREEN	50	10	28	40	55	70	75
* T4L254A	.25	2 BLUE	50	10	31	41	56	70	75
T4L304A	.30	2 VIOLET	50	10	30	42	56	70	75
T4L334A	.33	3 RED	50	10	33	45	58	72	75
T4L404A	.40	3 GREEN	50	10	36	40	60	75	75
T4L504A	.50	3 YELLOW	50	10	36	43	60	75	75

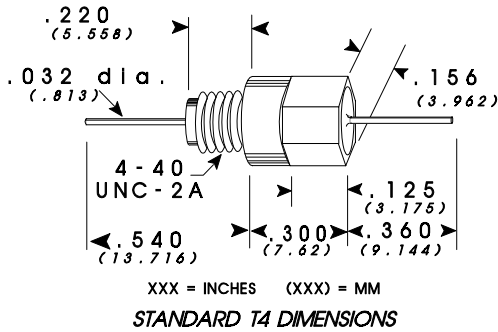
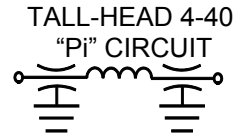
\* = REVERSE "L" ALSO AVAILABLE (INDUCTOR OPPOSITE THREAD)

**MOUNTING HARDWARE ON REQUEST**

	<p><b>EMI FILTER COMPANY</b>                  12750 59th Way North                  Clearwater, FL 33760                  727-585-7990 Fax: 727-586-5138                  Toll Free: 1-800-323-7990                  email: sales@emifiltercompany.com</p>
--	--

# T4 SERIES "Pi" FILTERS

## TALL-HEAD 4-40



**Cap /Tolerance:**  
 1500 Pf - .20 $\mu$ F +100/-0%  
 Other tolerances available.

**Dissipation Factor:**  
 3.5% Maximum

**Insulation Resistance:**  
 25°C = 1,000 Megohm- $\mu$ F  
 125°C = 100 Megohm- $\mu$ F

**Dielectric Strength (DWV):**  
 250% of Rated Voltage for 5 sec.

**Max Mounting Torque:**  
 2.0 in\*lbs

**Operating Temp:**  
 -55°C to +125°C

**Dimension Tolerances:**

Case: +/- .015" (+/- .381mm) Lead Length: +/- .030" (+/- .762mm) Lead Dia.: +/- .002" (+/- .051mm)

**Installation Temp:**

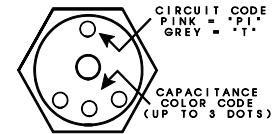
N/A. Internal construction with high temp. Sn10 solder.

**Material and Finish:**

Steel case, copper leads, silver plating standard. Variations are available.

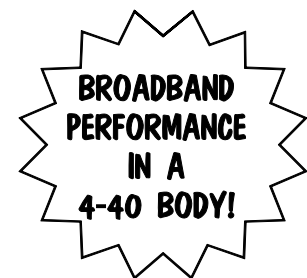
**Marking:**

Color dots standard. Custom marking available.



PART NUMBER	CAP.	CKT	COLOR CODE (DOTS)	MAX. WVDC	DC AMPS	MIN. NO LOAD INSERTION LOSS (db) @ 25° C per MIL-STD-220					
						KHz		MHz			
						100	300	1	10	100	1000
T4P152D	1500 pF	Pi	WHITE	200	10	-	-	4	13	56	83
T4P502D	5000 pF	Pi	YELLOW	200	10	4	6	7	22	66	85
T4P103D	.01 $\mu$ F	Pi	2 WHITE	200	10	4	6	10	32	78	80
T4P303B	.03 $\mu$ F	Pi	2 RED	100	10	6	12	16	50	85	85
T4P503B	.05 $\mu$ F	Pi	2 YELLOW	100	10	10	17	20	64	88	88
T4P104A	.10 $\mu$ F	Pi	3 WHITE	50	10	14	21	27	73	85	85
T4P204A	.20 $\mu$ F	Pi	2 GREEN	50	10	18	27	32	80	85	90

**MOUNTING HARDWARE ON REQUEST**

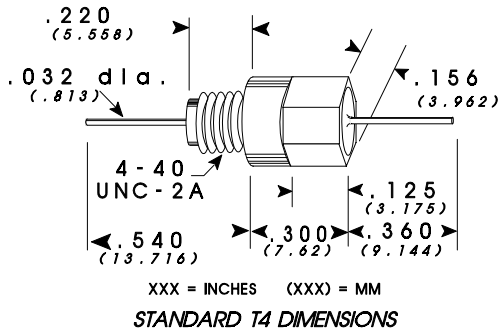


**EMI FILTER COMPANY**  
 12750 59th Way North  
 Clearwater, FL 33760  
 727-585-7990 Fax: 727-586-5138  
 Toll Free: 1-800-323-7990  
 email: sales@emifiltercompany.com

# T4 SERIES "T" FILTERS

## TALL-HEAD 4-40

### TALL-HEAD 4-40 "T" CIRCUIT



Cap /Tolerance:  
 1500 Pf - .20 $\mu$ F +100/-0%  
 Other tolerances available.

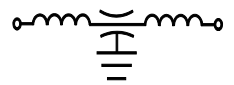
Dissipation Factor:  
 3.5% Maximum

Insulation Resistance:  
 25°C = 1,000 Megohm- $\mu$ F  
 125°C = 100 Megohm- $\mu$ F

Dielectric Strength (DWV):  
 250% of Rated Voltage for 5 sec.

Max Mounting Torque:  
 2.0 in\*lbs

Operating Temp:  
 -55°C to +125°C



Dimension Tolerances:

Case: +/-0.015" (+/-0.381mm) Lead Length: +/-0.030" (+/-0.762mm) Lead Dia.: +/-0.002" (+/-0.051mm)

Installation Temp:

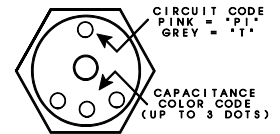
N/A. Internal construction with high temp. Sn10 solder.

Material and Finish:

Steel case, copper leads, silver plating standard. Variations are available.

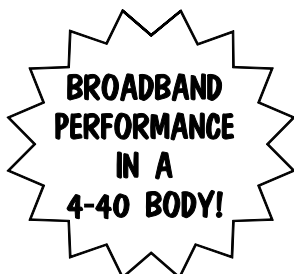
Marking:

Color dots standard. Custom marking available.



PART NUMBER	CAP.	CKT	COLOR CODE (DOTS)	MAX. WVDC	DC AMPS	MIN. NO LOAD INSERTION LOSS (db) @ 25° C per MIL-STD-220					
						KHz		MHz			
						100	300	1	10	100	1000
T4T152D	1500 pF	T	WHITE	200	10	-	-	-	13	37	51
T4T502D	5000 pF	T	YELLOW	200	10	3	4	6	24	48	62
T4T103D	.01 $\mu$ F	T	2 WHITE	200	10	4	7	13	32	55	65
T4T303B	.03 $\mu$ F	T	2 RED	100	10	7	10	20	40	60	85
T4T503B	.05 $\mu$ F	T	2 YELLOW	100	10	9	17	24	44	62	85
T4T104A	.10 $\mu$ F	T	3 WHITE	50	10	14	22	30	48	61	88

MOUNTING HARDWARE ON REQUEST



	<b>EMI FILTER COMPANY</b> 12750 59th Way North Clearwater, FL 33760 727-585-7990 Fax: 727-586-5138 Toll Free: 1-800-323-7990 email: sales@emifiltercompany.com
--	---