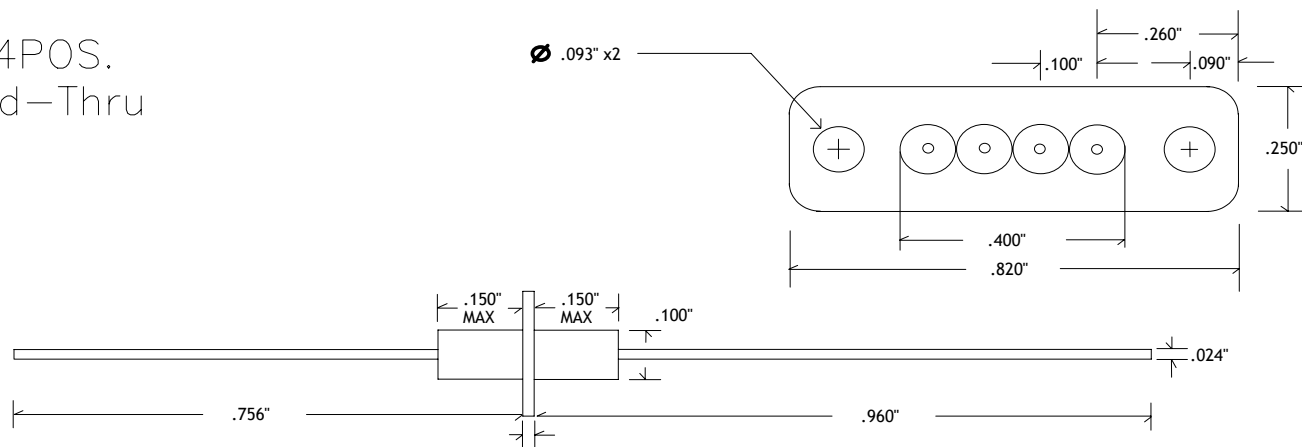
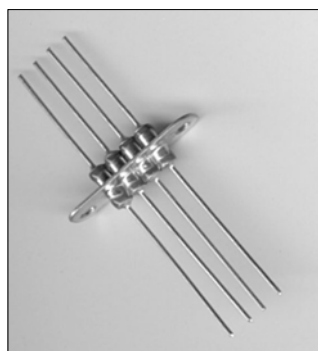


A4100152P172S  
 SINGLE LINE ARRAY, 4POS.  
 1,500pF Cap. "Pi" Feed-Thru



.025"

PART NUMBER	EMI P/N	CAP. (pF)	MAX. WVDC	DC AMPS	MINIMUM NO LOAD INSERTION LOSS			
					1 MHz	10 MHz	100 MHz	1 GHz
A4100152P172S		1,500	100	5	4	13	56	83

CAPACITANCE TOLERANCE: +100/-0%

DISSIPATION FACTOR: 3.5% MAX.

INSULATION RESISTANCE:

25 °C=1000 MΩμF Min.

125 °C=100 MΩμF Min.

DIELECTRIC STRENGTH (DWV):

250% of WVDC (5 seconds)

TEMPERATURE CHARACTERISTIC:

Z5U or better

DIMENSION TOLERANCE:

CASE LENGTH: +/- .005" (.123mm)

LEAD LENGTH: +/- .030" (.762mm)

LEAD DIAMETER: +/- .002" (.051mm)

MATERIAL AND FINISH:

GROUND PLANE: Brass FINISH: Tin

LEAD MATERIAL: Copper Alloy

LEAD FINISH: Tin

MARKING: None

OPERATING TEMP: -35° C to +85° C

INSTALLATION TEMP: N/A

\* ISO 9001:2008 Registered

EMI Filter Company  
 12750 59th Way N.  
 Clearwater, FL  
 33760  
 (727) 585-7990  
 (727) 586-5138 Fax  
 www.emifiltercompany.com

FILTER PLATE, EMI  
 4 LINE, .100" SPACING

FSCM NO.

DWG NO.

A4100152P172S REV. C

REV

C