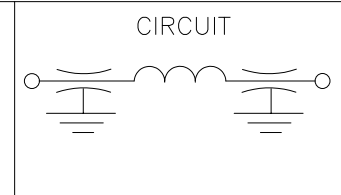
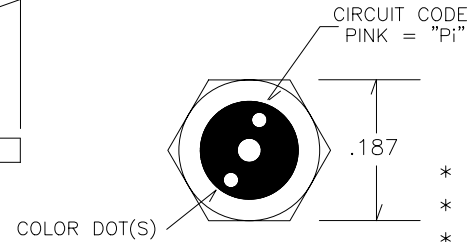


= inches
 (###) = mm

thread: 8-32 UNC 2A



- * RoHS Compliant
- * ISO 9001:2008 Registered
- * Discoidal Capacitor Construction

PART NUMBER	EMI P/N:	CAP. (pF)	COLOR DOT(S)	MAX. WVDC	DC AMPS	MINIMUM NO LOAD INSERTION LOSS				
						1 MHz	10 MHz	100 MHz	1 GHz	10 GHz
	B8P470D	47	BLUE	200	10				10	15
	B8P650D	65	BLUE	200	10				15	30
	B8P101D	100	GREEN	200	10				27	35
	B8P471D	470	BROWN	200	10				35	45
	B8P152D	1500	WHITE	200	10		10	40	60	60
	B8P302D	3000	RED	200	10		15	45	60	70
	B8P552B	5500	YELLOW	100	10		15	65	70	70
	B8P103B	10,000	2 WHITE	100	10	10	32	78	80	80
	B8C123B	12,000	2 WHITE	100	10	11	35	78	80	80
	B8P153B	15,000	2 WHITE	100	10	13	40	80	85	85
	B8P303A	30,000	2 RED	50	10	16	50	85	85	85
	B8P473A	47,000	2 YELLOW	50	10	20	60	85	90	90
	B8P653A	65,000	2 BROWN	50	10	23	65	85	90	90
	B8P753A	75,000	2 BROWN	50	10	27	70	90	90	90

CAPACITANCE TOLERANCE: +100/-0%

DISSIPATION FACTOR: 3.5% MAX.

INSULATION RESISTANCE:

25° C=10,000 Mohm Min.

125° C= 1,000 Mohm Min.

DIELECTRIC STRENGTH (DWV):

250% of WVDC (5 seconds)

OPERATING TEMPERATURE: -55° C to +125° C

TEMPERATURE CHARACTERISTIC: X7R or better

MARKING: Color Dot standard per chart

MAXIMUM MOUNTING TORQUE: 6.0 in*lbs

INSTALLATION TEMPERATURE: N/A

DIMENSION TOLERANCE:

CASE: CASE: ± .010" (.250 mm)

LEAD LENGTH: CASE: ± .030" (.762mm)

LEAD DIAMETER: CASE: ± .002" (.051mm)

MATERIAL AND FINISH:

CASE: C12L14 CRS

LEAD: Copper (1/2 Hard)

FINISH: Silver per QQ-S-365

VENDOR:
 EMI Filter Company
 12750 59th Way N.
 Clearwater, FL 33760
 (727) 585-7990
 (727) 586-5138 Fax

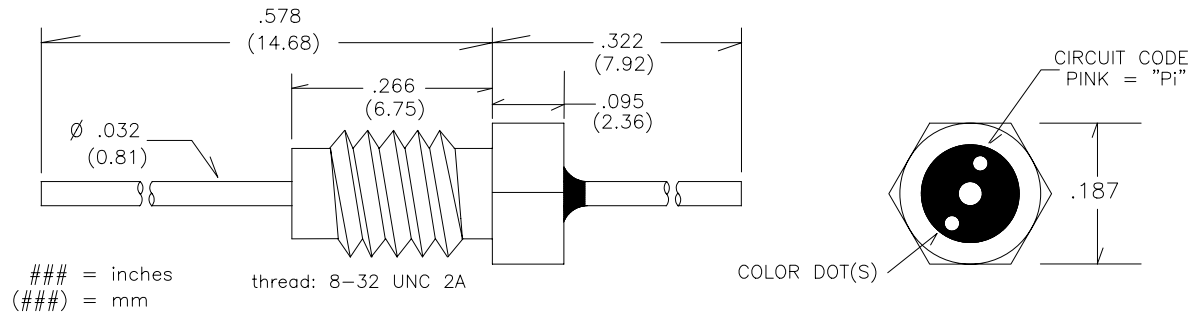
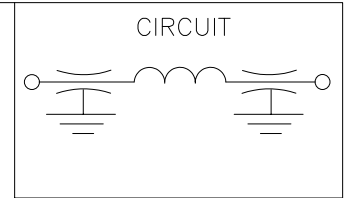
www.emifiltercompany.com

FILTERS, EMI, STANDARD ("Pi") CIRCUIT
 8-32 THREADED BODY

FSCM NO.	DWG NO.	REV
	B8Ps REVC	C
SCALE		

- * RoHS Compliant
- * ISO 9001:2008 Registered
- * Discoidal Capacitor Construction

B8P470D
Industry Standard 8-32
47pF Cap. "Pi" Feed-Thru



PART NUMBER	EMI P/N:	CAP. (pF)	COLOR DOT(S)	MAX. WVDC	DC AMPS	MINIMUM NO LOAD INSERTION LOSS				
						1 MHz	10 MHz	100 MHz	1 GHz	10 GHz
B8P470D		47	BLUE	200	10	---	---	---	10	15

ELECTRICAL

CAPACITANCE TOLERANCE: +100/-0%
 DISSIPATION FACTOR: 3.5% MAX.
 INSULATION RESISTANCE:
 25° C=10,000 Mohm Min.
 125° C=1,000 Mohm Min.
 DIELECTRIC STRENGTH (DWV):
 250% of WVDC (5 seconds)
 TEMPERATURE CHARACTERISTIC:
 X7R or better

PHYSICAL

DIMENSION TOLERANCE:
 CASE LENGTH: +/- .010" (.250mm)
 LEAD LENGTH: +/- .030" (.762mm)
 LEAD DIAMETER: +/- .002" (.051mm)
 MATERIAL AND FINISH:
 CASE: C12L14 CRS
 LEAD: Copper (1/2 Hard)
 FINISH: Silver per QQ-S-365

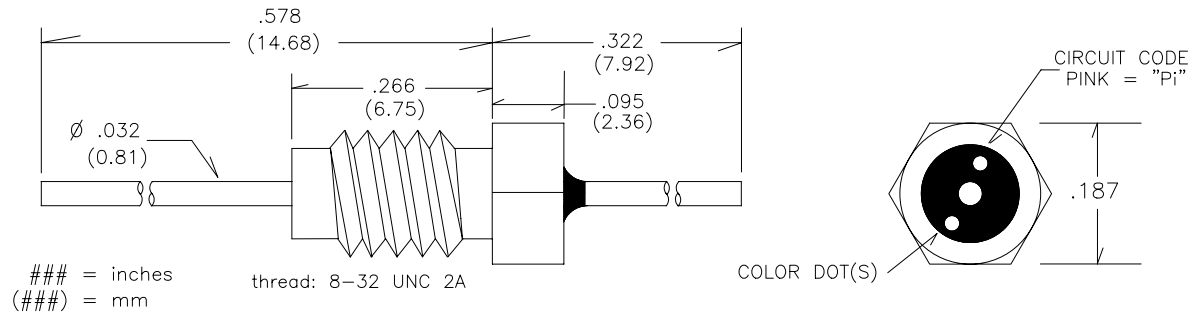
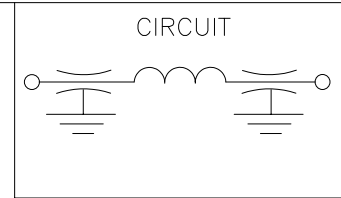
IDENTIFICATION & LIMITS

MARKING: Color Dot standard per chart
 OPERATING TEMP: -55° C to +125° C
 INSTALLATION TEMP: N/A
 MAXIMUM MOUNTING TORQUE: 6.0 in*lbs

VENDOR: EMI Filter Company 12750 59th Way N. Clearwater, FL 33760 (727) 585-7990 (727) 586-5138 Fax www.emifiltercompany.com		FILTERS, EMI, STANDARD ("Pi") CIRCUIT 8-32 THREADED BODY		
FSCM NO.	DWG NO.	B8P470D REVC		REV C
SCALE				

- * RoHS Compliant
- * ISO 9001:2008 Registered
- * Discoidal Capacitor Construction

B8P650D
Industry Standard 8-32
65pF Cap. "Pi" Feed-Thru



PART NUMBER	EMI P/N:	CAP. (pF)	COLOR DOT(S)	MAX. WVDC	DC AMPS	MINIMUM NO LOAD INSERTION LOSS				
						1 MHz	10 MHz	100 MHz	1 GHz	10 GHz
B8P650D		65	BLUE	200	10	---	---	---	15	30

ELECTRICAL

CAPACITANCE TOLERANCE: +100/-0%
 DISSIPATION FACTOR: 3.5% MAX.
 INSULATION RESISTANCE:
 25° C = 10,000 Mohm Min.
 125° C = 1,000 Mohm Min.
 DIELECTRIC STRENGTH (DWV):
 250% of WVDC (5 seconds)
 TEMPERATURE CHARACTERISTIC:
 X7R or better

PHYSICAL

DIMENSION TOLERANCE:
 CASE LENGTH: +/- .010" (.250mm)
 LEAD LENGTH: +/- .030" (.762mm)
 LEAD DIAMETER: +/- .002" (.051mm)
 MATERIAL AND FINISH:
 CASE: C12L14 CRS
 LEAD: Copper (1/2 Hard)
 FINISH: Silver per QQ-S-365

IDENTIFICATION & LIMITS

MARKING: Color Dot standard per chart
 OPERATING TEMP: -55° C to +125° C
 INSTALLATION TEMP: N/A
 MAXIMUM MOUNTING TORQUE: 6.0 in*lbs

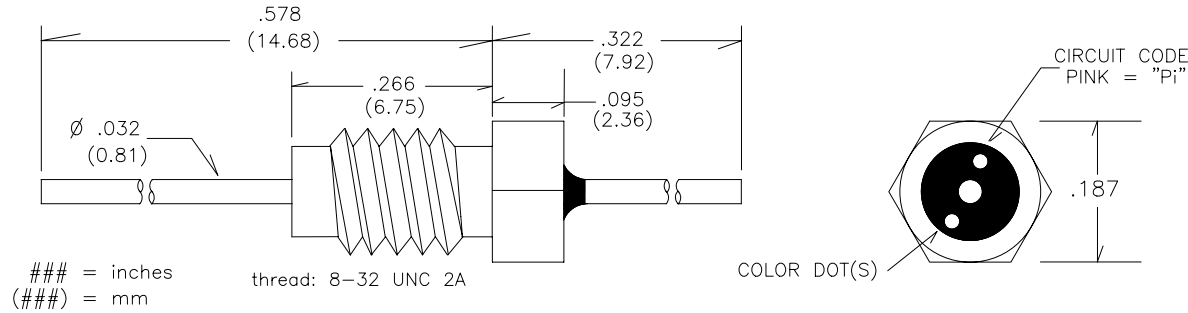
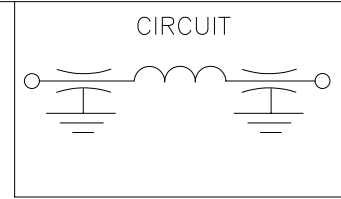
VENDOR:
 EMI Filter Company
 12750 59th Way N.
 Clearwater, FL 33760
 (727) 585-7990
 (727) 586-5138 Fax
www.emifiltercompany.com

FILTERS, EMI, STANDARD ("Pi") CIRCUIT
 8-32 THREADED BODY

FSCM NO.	DWG NO. B8P650D REVC	REV C
SCALE		

- * RoHS Compliant
- * ISO 9001:2008 Registered
- * Discoidal Capacitor Construction

B8P101D
Industry Standard 8-32
100pF Cap. "Pi" Feed-Thru



PART NUMBER	EMI P/N:	CAP. (pF)	COLOR DOT(S)	MAX. WVDC	DC AMPS	MINIMUM NO LOAD INSERTION LOSS				
						1 MHz	10 MHz	100 MHz	1 GHz	10 GHz
B8P101D		100	GREEN	200	10	---	---	---	27	35

ELECTRICAL

CAPACITANCE TOLERANCE: +100/-0%
 DISSIPATION FACTOR: 3.5% MAX.
 INSULATION RESISTANCE:
 25° C=10,000 Mohm Min.
 125° C=1,000 Mohm Min.
 DIELECTRIC STRENGTH (DWV):
 250% of WVDC (5 seconds)
 TEMPERATURE CHARACTERISTIC:
 X7R or better

PHYSICAL

DIMENSION TOLERANCE:
 CASE LENGTH: +/- .010" (.250mm)
 LEAD LENGTH: +/- .030" (.762mm)
 LEAD DIAMETER: +/- .002" (.051mm)
 MATERIAL AND FINISH:
 CASE: C12L14 CRS
 LEAD: Copper (1/2 Hard)
 FINISH: Silver per QQ-S-365

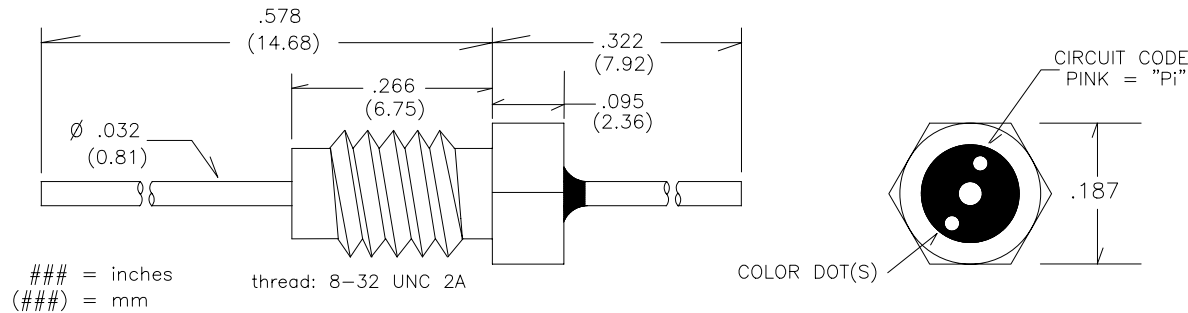
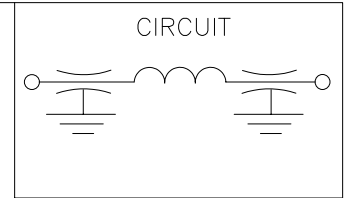
IDENTIFICATION & LIMITS

MARKING: Color Dot standard per chart
 OPERATING TEMP: -55° C to +125° C
 INSTALLATION TEMP: N/A
 MAXIMUM MOUNTING TORQUE: 6.0 in*lbs

VENDOR: EMI Filter Company 12750 59th Way N. Clearwater, FL 33760 (727) 585-7990 (727) 586-5138 Fax www.emifiltercompany.com		FILTERS, EMI, STANDARD ("Pi") CIRCUIT 8-32 THREADED BODY		
FSCM NO.	DWG NO. B8P101D REVC		REV C	
SCALE				

- * RoHS Compliant
- * ISO 9001:2008 Registered
- * Discoidal Capacitor Construction

B8P471D
Industry Standard 8-32
470pF Cap. "Pi" Feed-Thru



PART NUMBER	EMI P/N:	CAP. (pF)	COLOR DOT(S)	MAX. WVDC	DC AMPS	MINIMUM NO LOAD INSERTION LOSS				
						1 MHz	10 MHz	100 MHz	1 GHz	10 GHz
B8P471D		470	BROWN	200	10	---	---	---	35	45

ELECTRICAL

CAPACITANCE TOLERANCE: +100/-0%
 DISSIPATION FACTOR: 3.5% MAX.
 INSULATION RESISTANCE:
 25° C=10,000 Mohm Min.
 125° C=1,000 Mohm Min.
 DIELECTRIC STRENGTH (DWV):
 250% of WVDC (5 seconds)
 TEMPERATURE CHARACTERISTIC:
 X7R or better

PHYSICAL

DIMENSION TOLERANCE:
 CASE LENGTH: +/- .010" (.250mm)
 LEAD LENGTH: +/- .030" (.762mm)
 LEAD DIAMETER: +/- .002" (.051mm)
 MATERIAL AND FINISH:
 CASE: C12L14 CRS
 LEAD: Copper (1/2 Hard)
 FINISH: Silver per QQ-S-365

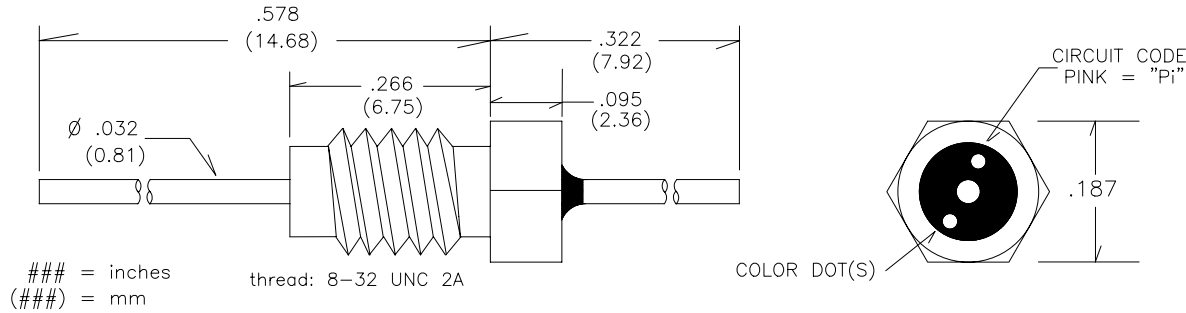
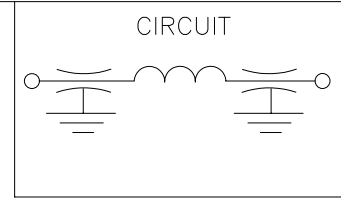
IDENTIFICATION & LIMITS

MARKING: Color Dot standard per chart
 OPERATING TEMP: -55° C to +125° C
 INSTALLATION TEMP: N/A
 MAXIMUM MOUNTING TORQUE: 6.0 in*lbs

VENDOR: EMI Filter Company 12750 59th Way N. Clearwater, FL 33760 (727) 585-7990 (727) 586-5138 Fax www.emifiltercompany.com			FILTERS, EMI, STANDARD ("Pi") CIRCUIT 8-32 THREADED BODY		
FSCM NO.		DWG NO.		REV	
		B8P471D REVC		C	
SCALE					

- * RoHS Compliant
- * ISO 9001:2008 Registered
- * Discoidal Capacitor Construction

B8P152D
Industry Standard 8-32
1,500pF Cap. "Pi" Feed-Thru



PART NUMBER	EMI P/N:	CAP. (pF)	COLOR DOT(S)	MAX. WVDC	DC AMPS	MINIMUM NO LOAD INSERTION LOSS				
						1 MHz	10 MHz	100 MHz	1 GHz	10 GHz
B8P152D		1,500	WHITE	200	10	---	10	40	60	60

ELECTRICAL

CAPACITANCE TOLERANCE: +100/-0%

DISSIPATION FACTOR: 3.5% MAX.

INSULATION RESISTANCE:
25° C=10,000 Mohm Min.
125° C=1,000 Mohm Min.

DIELECTRIC STRENGTH (DWV):
250% of WVDC (5 seconds)

TEMPERATURE CHARACTERISTIC:
X7R or better

PHYSICAL

DIMENSION TOLERANCE:
CASE LENGTH: +/- .010" (.250mm)
LEAD LENGTH: +/- .030" (.762mm)
LEAD DIAMETER: +/- .002" (.051mm)

MATERIAL AND FINISH:
CASE: C12L14 CRS
LEAD: Copper (1/2 Hard)
FINISH: Silver per QQ-S-365

IDENTIFICATION & LIMITS

MARKING: Color Dot standard per chart

OPERATING TEMP: -55° C to +125° C

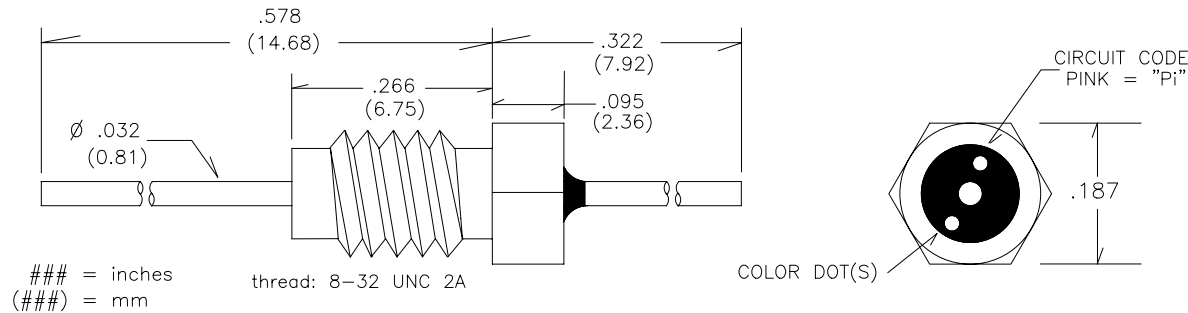
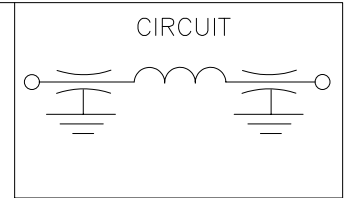
INSTALLATION TEMP: N/A

MAXIMUM MOUNTING TORQUE: 6.0 in*lbs

VENDOR: EMI Filter Company 12750 59th Way N. Clearwater, FL 33760 (727) 585-7990 (727) 586-5138 Fax www.emifiltercompany.com		FILTERS, EMI, STANDARD ("Pi") CIRCUIT 8-32 THREADED BODY		
FSCM NO.	DWG NO. B8P152D REVC	REV C		
SCALE				

- * RoHS Compliant
- * ISO 9001:2008 Registered
- * Discoidal Capacitor Construction

B8P302D
Industry Standard 8-32
3,000pF Cap. "Pi" Feed-Thru



PART NUMBER	EMI P/N:	CAP. (pF)	COLOR DOT(S)	MAX. WVDC	DC AMPS	MINIMUM NO LOAD INSERTION LOSS				
						1 MHz	10 MHz	100 MHz	1 GHz	10 GHz
B8P302D		3,000	RED	200	10	---	15	45	60	70

ELECTRICAL

CAPACITANCE TOLERANCE: +100/-0%
 DISSIPATION FACTOR: 3.5% MAX.
 INSULATION RESISTANCE:
 25° C=10,000 Mohm Min.
 125° C=1,000 Mohm Min.
 DIELECTRIC STRENGTH (DWV):
 250% of WVDC (5 seconds)
 TEMPERATURE CHARACTERISTIC:
 X7R or better

PHYSICAL

DIMENSION TOLERANCE:
 CASE LENGTH: +/- .010" (.250mm)
 LEAD LENGTH: +/- .030" (.762mm)
 LEAD DIAMETER: +/- .002" (.051mm)
 MATERIAL AND FINISH:
 CASE: C12L14 CRS
 LEAD: Copper (1/2 Hard)
 FINISH: Silver per QQ-S-365

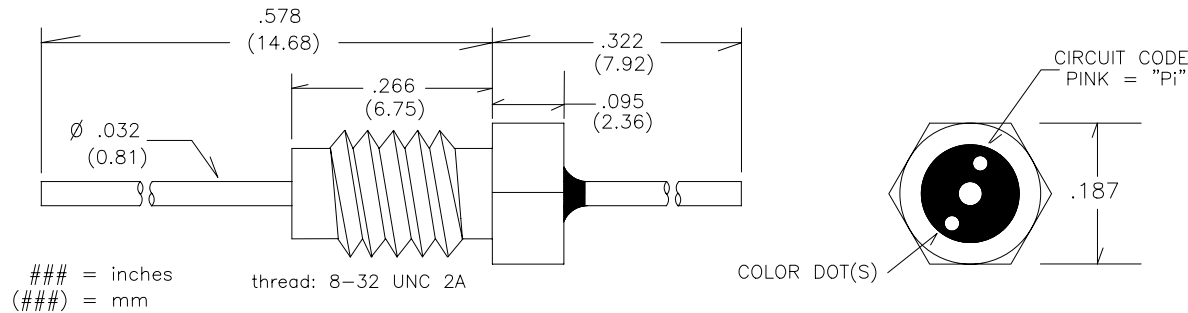
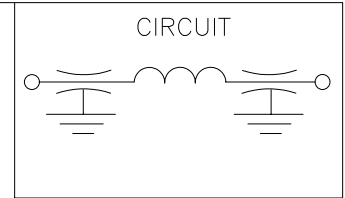
IDENTIFICATION & LIMITS

MARKING: Color Dot standard per chart
 OPERATING TEMP: -55° C to +125° C
 INSTALLATION TEMP: N/A
 MAXIMUM MOUNTING TORQUE: 6.0 in*lbs

VENDOR: EMI Filter Company 12750 59th Way N. Clearwater, FL 33760 (727) 585-7990 (727) 586-5138 Fax www.emifiltercompany.com		FILTERS, EMI, STANDARD ("Pi") CIRCUIT 8-32 THREADED BODY		
FSCM NO.	DWG NO.	B8P302D REVC		REV C
SCALE				

- * RoHS Compliant
- * ISO 9001:2008 Registered
- * Discoidal Capacitor Construction

B8P552B
Industry Standard 8-32
5,500pF Cap. "Pi" Feed-Thru



PART NUMBER	EMI P/N:	CAP. (pF)	COLOR DOT(S)	MAX. WVDC	DC AMPS	MINIMUM NO LOAD INSERTION LOSS				
						1 MHz	10 MHz	100 MHz	1 GHz	10 GHz
B8P552B		5,500	YELLOW	100	10	---	15	65	70	70

ELECTRICAL

CAPACITANCE TOLERANCE: +100/-0%
 DISSIPATION FACTOR: 3.5% MAX.
 INSULATION RESISTANCE:
 25° C=10,000 Mohm Min.
 125° C=1,000 Mohm Min.
 DIELECTRIC STRENGTH (DWV):
 250% of WVDC (5 seconds)
 TEMPERATURE CHARACTERISTIC:
 X7R or better

PHYSICAL

DIMENSION TOLERANCE:
 CASE LENGTH: +/- .010" (.250mm)
 LEAD LENGTH: +/- .030" (.762mm)
 LEAD DIAMETER: +/- .002" (.051mm)
 MATERIAL AND FINISH:
 CASE: C12L14 CRS
 LEAD: Copper (1/2 Hard)
 FINISH: Silver per QQ-S-365

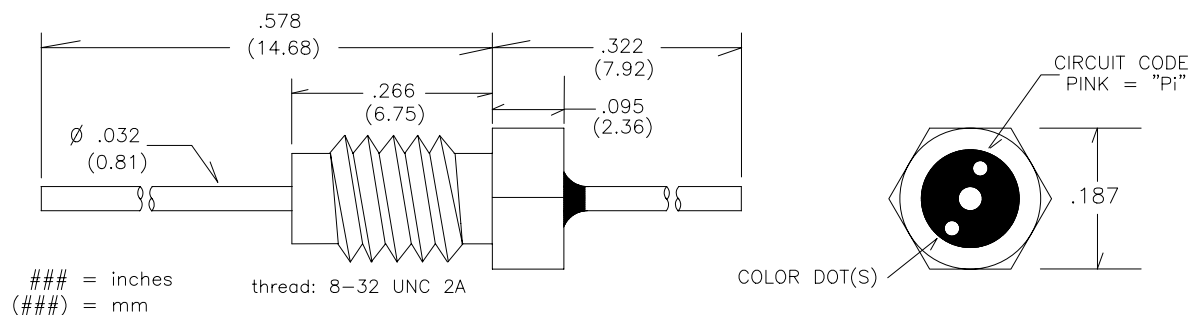
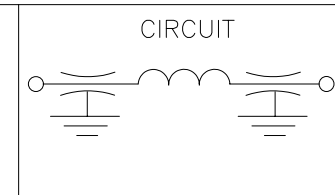
IDENTIFICATION & LIMITS

MARKING: Color Dot standard per chart
 OPERATING TEMP: -55° C to +125° C
 INSTALLATION TEMP: N/A
 MAXIMUM MOUNTING TORQUE: 6.0 in*lbs

VENDOR: EMI Filter Company 12750 59th Way N. Clearwater, FL 33760 (727) 585-7990 (727) 586-5138 Fax www.emifiltercompany.com		FILTERS, EMI, STANDARD ("Pi") CIRCUIT 8-32 THREADED BODY		
FSCM NO.	DWG NO.		REV	
	B8P552B REVC		C	
SCALE				

- * RoHS Compliant
- * ISO 9001:2008 Registered
- * Discoidal Capacitor Construction

B8P103B
 Industry Standard 8-32
 10,000pF Cap. "Pi" Feed-Thru



PART NUMBER	EMI P/N:	CAP. (pF)	COLOR DOT(S)	MAX. WVDC	DC AMPS	MINIMUM NO LOAD INSERTION LOSS				
						1 MHz	10 MHz	100 MHz	1 GHz	10 GHz
B8P103B		10,000	2 WHITE	100	10	11	32	78	80	80

ELECTRICAL

CAPACITANCE TOLERANCE: +100/-0%
 DISSIPATION FACTOR: 3.5% MAX.
 INSULATION RESISTANCE:
 25° C=10,000 Mohm Min.
 125° C=1,000 Mohm Min.
 DIELECTRIC STRENGTH (DWV):
 250% of WVDC (5 seconds)
 TEMPERATURE CHARACTERISTIC:
 X7R or better

PHYSICAL

DIMENSION TOLERANCE:
 CASE LENGTH: +/- .010" (.250mm)
 LEAD LENGTH: +/- .030" (.762mm)
 LEAD DIAMETER: +/- .002" (.051mm)
 MATERIAL AND FINISH:
 CASE: C12L14 CRS
 LEAD: Copper (1/2 Hard)
 FINISH: Silver per QQ-S-365

IDENTIFICATION & LIMITS

MARKING: Color Dot standard per chart
 OPERATING TEMP: -55° C to +125° C
 INSTALLATION TEMP: N/A
 MAXIMUM MOUNTING TORQUE: 6.0 in*lbs

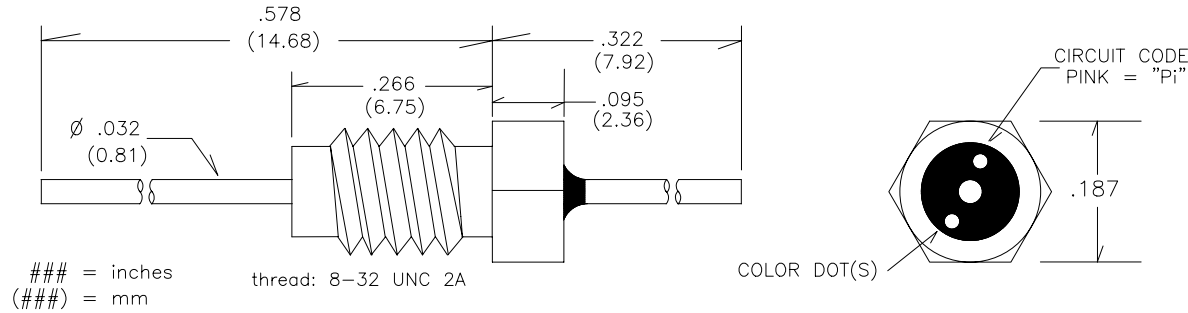
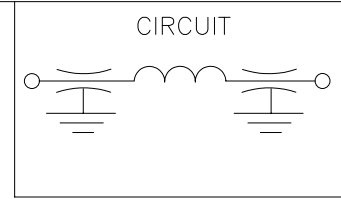
VENDOR:
 EMI Filter Company
 12750 59th Way N.
 Clearwater, FL 33760
 (727) 585-7990
 (727) 586-5138 Fax
www.emifiltercompany.com

FILTERS, EMI, STANDARD ("Pi") CIRCUIT
 8-32 THREADED BODY

FSCM NO.	DWG NO. B8P103B REVC	REV C
SCALE		

- * RoHS Compliant
- * ISO 9001:2008 Registered
- * Discoidal Capacitor Construction

B8P123B
Industry Standard 8-32
12,000pF Cap. "Pi" Feed-Thru



PART NUMBER	EMI P/N:	CAP. (pF)	COLOR DOT(S)	MAX. WVDC	DC AMPS	MINIMUM NO LOAD INSERTION LOSS				
						1 MHz	10 MHz	100 MHz	1 GHz	10 GHz
B8P123B		12,000	2 WHITE	100	10	11	35	78	80	80

ELECTRICAL

CAPACITANCE TOLERANCE: +100/-0%

DISSIPATION FACTOR: 3.5% MAX.

INSULATION RESISTANCE:
25° C=10,000 Mohm Min.
125° C=1,000 Mohm Min.

DIELECTRIC STRENGTH (DWV):
250% of WVDC (5 seconds)

TEMPERATURE CHARACTERISTIC:
X7R or better

PHYSICAL

DIMENSION TOLERANCE:
CASE LENGTH: +/- .010" (.250mm)
LEAD LENGTH: +/- .030" (.762mm)
LEAD DIAMETER: +/- .002" (.051mm)

MATERIAL AND FINISH:
CASE: C12L14 CRS
LEAD: Copper (1/2 Hard)
FINISH: Silver per QQ-S-365

IDENTIFICATION & LIMITS

MARKING: Color Dot standard per chart

OPERATING TEMP: -55° C to +125° C

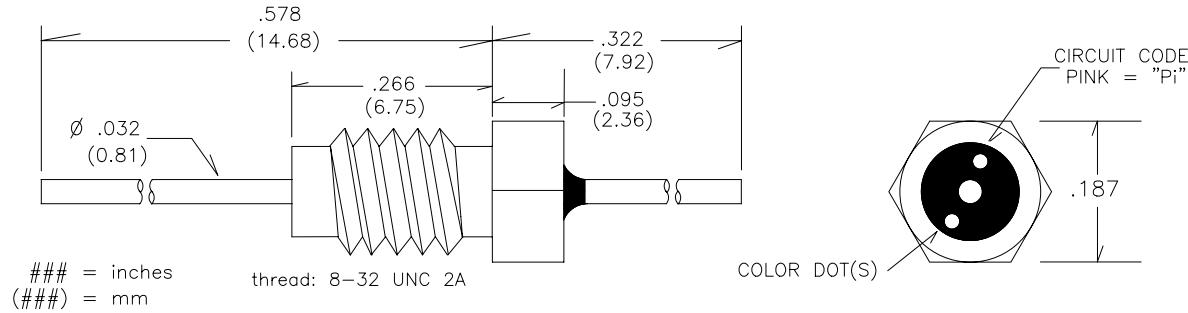
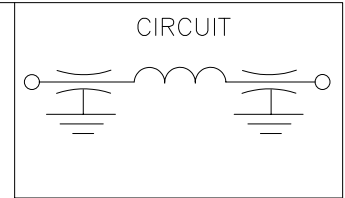
INSTALLATION TEMP: N/A

MAXIMUM MOUNTING TORQUE: 6.0 in*lbs

VENDOR: EMI Filter Company 12750 59th Way N. Clearwater, FL 33760 (727) 585-7990 (727) 586-5138 Fax www.emifiltercompany.com		FILTERS, EMI, STANDARD ("Pi") CIRCUIT 8-32 THREADED BODY		
FSCM NO.	DWG NO. B8P123B REVC		REV C	
SCALE				

- * RoHS Compliant
- * ISO 9001:2008 Registered
- * Discoidal Capacitor Construction

B8P153B
Industry Standard 8-32
15,000pF Cap. "Pi" Feed-Thru



PART NUMBER	EMI P/N:	CAP. (pF)	COLOR DOT(S)	MAX. WVDC	DC AMPS	MINIMUM NO LOAD INSERTION LOSS				
						1 MHz	10 MHz	100 MHz	1 GHz	10 GHz
B8P153B		15,000	2 WHITE	100	10	13	40	80	85	85

ELECTRICAL

CAPACITANCE TOLERANCE: +100/-0%
 DISSIPATION FACTOR: 3.5% MAX.
 INSULATION RESISTANCE:
 25° C=10,000 Mohm Min.
 125° C=1,000 Mohm Min.
 DIELECTRIC STRENGTH (DWV):
 250% of WVDC (5 seconds)
 TEMPERATURE CHARACTERISTIC:
 X7R or better

PHYSICAL

DIMENSION TOLERANCE:
 CASE LENGTH: +/- .010" (.250mm)
 LEAD LENGTH: +/- .030" (.762mm)
 LEAD DIAMETER: +/- .002" (.051mm)
 MATERIAL AND FINISH:
 CASE: C12L14 CRS
 LEAD: Copper (1/2 Hard)
 FINISH: Silver per QQ-S-365

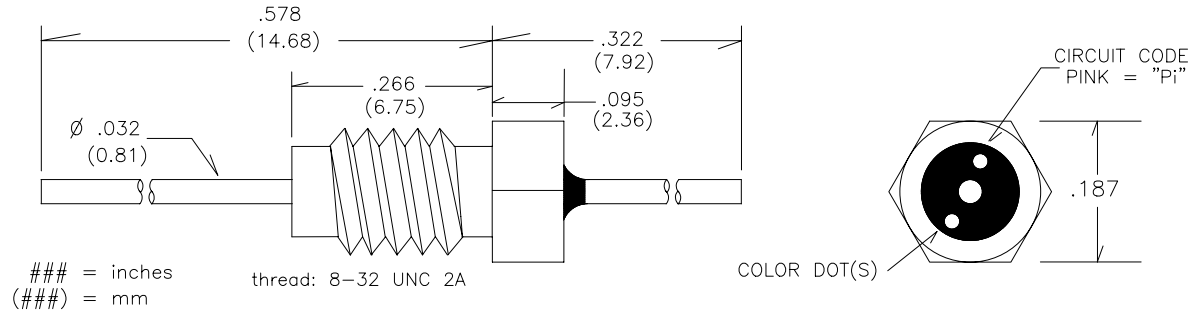
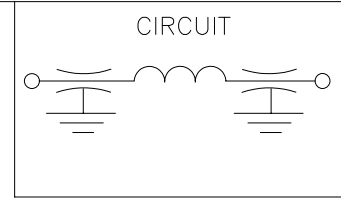
IDENTIFICATION & LIMITS

MARKING: Color Dot standard per chart
 OPERATING TEMP: -55° C to +125° C
 INSTALLATION TEMP: N/A
 MAXIMUM MOUNTING TORQUE: 6.0 in*lbs

VENDOR: EMI Filter Company 12750 59th Way N. Clearwater, FL 33760 (727) 585-7990 (727) 586-5138 Fax www.emifiltercompany.com		FILTERS, EMI, STANDARD ("Pi") CIRCUIT 8-32 THREADED BODY		
FSCM NO.	DWG NO.		REV	
	B8P153B REVC		C	
SCALE				

- * RoHS Compliant
- * ISO 9001:2008 Registered
- * Discoidal Capacitor Construction

B8P303A
Industry Standard 8-32
30,000pF Cap. "Pi" Feed-Thru



PART NUMBER	EMI P/N:	CAP. (pF)	COLOR DOT(S)	MAX. WVDC	DC AMPS	MINIMUM NO LOAD INSERTION LOSS				
						1 MHz	10 MHz	100 MHz	1 GHz	10 GHz
B8P303A		30,000	2 RED	50	10	16	50	85	85	85

ELECTRICAL

CAPACITANCE TOLERANCE: +100/-0%
 DISSIPATION FACTOR: 3.5% MAX.
 INSULATION RESISTANCE:
 25° C=10,000 Mohm Min.
 125° C=1,000 Mohm Min.
 DIELECTRIC STRENGTH (DWV):
 250% of WVDC (5 seconds)
 TEMPERATURE CHARACTERISTIC:
 X7R or better

PHYSICAL

DIMENSION TOLERANCE:
 CASE LENGTH: +/- .010" (.250mm)
 LEAD LENGTH: +/- .030" (.762mm)
 LEAD DIAMETER: +/- .002" (.051mm)
 MATERIAL AND FINISH:
 CASE: C12L14 CRS
 LEAD: Copper (1/2 Hard)
 FINISH: Silver per QQ-S-365

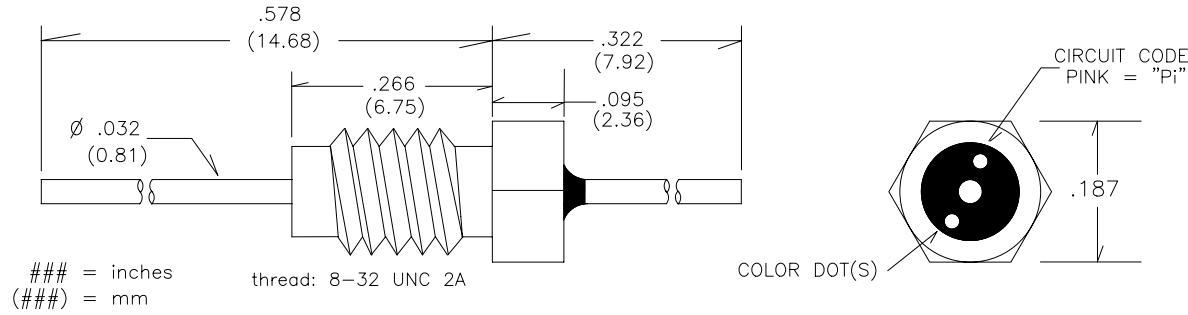
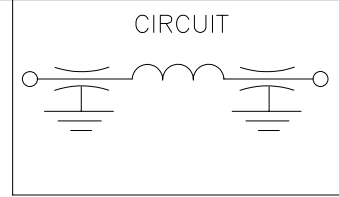
IDENTIFICATION & LIMITS

MARKING: Color Dot standard per chart
 OPERATING TEMP: -55° C to +125° C
 INSTALLATION TEMP: N/A
 MAXIMUM MOUNTING TORQUE: 6.0 in*lbs

VENDOR: EMI Filter Company 12750 59th Way N. Clearwater, FL 33760 (727) 585-7990 (727) 586-5138 Fax www.emifiltercompany.com		FILTERS, EMI, STANDARD ("Pi") CIRCUIT 8-32 THREADED BODY		
FSCM NO.	DWG NO.		REV	
	B8P303A REVC		C	
SCALE				

- * RoHS Compliant
- * ISO 9001:2008 Registered
- * Discoidal Capacitor Construction

B8P473A
 Industry Standard 8-32
 47,000pF Cap. "Pi" Feed-Thru



PART NUMBER	EMI P/N:	CAP. (pF)	COLOR DOT(S)	MAX. WVDC	DC AMPS	MINIMUM NO LOAD INSERTION LOSS				
						1 MHz	10 MHz	100 MHz	1 GHz	10 GHz
B8P473A		47,000	2 YELLOW	50	10	20	60	85	90	90

ELECTRICAL

CAPACITANCE TOLERANCE: +100/-0%
 DISSIPATION FACTOR: 3.5% MAX.
 INSULATION RESISTANCE:
 25° C=10,000 Mohm Min.
 125° C=1,000 Mohm Min.
 DIELECTRIC STRENGTH (DWV):
 250% of WVDC (5 seconds)
 TEMPERATURE CHARACTERISTIC:
 X7R or better

PHYSICAL

DIMENSION TOLERANCE:
 CASE LENGTH: +/- .010" (.250mm)
 LEAD LENGTH: +/- .030" (.762mm)
 LEAD DIAMETER: +/- .002" (.051mm)
 MATERIAL AND FINISH:
 CASE: C12L14 CRS
 LEAD: Copper (1/2 Hard)
 FINISH: Silver per QQ-S-365

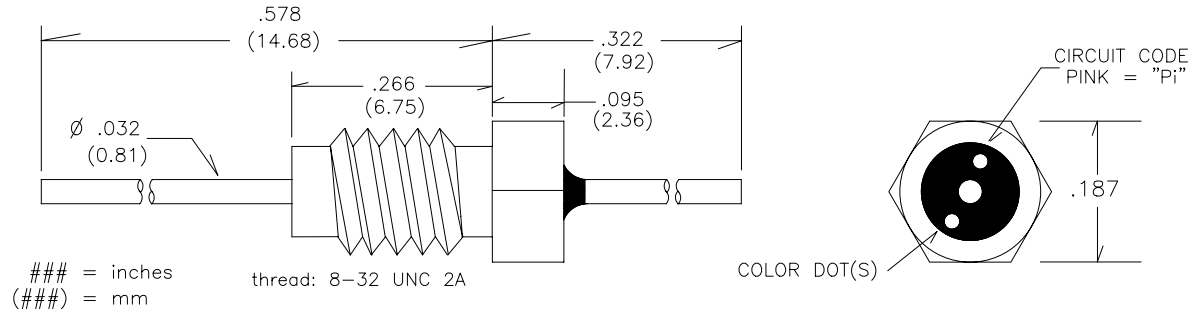
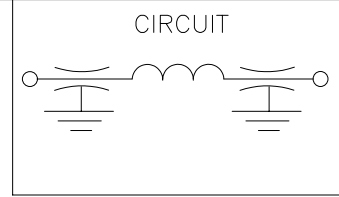
IDENTIFICATION & LIMITS

MARKING: Color Dot standard per chart
 OPERATING TEMP: -55° C to +125° C
 INSTALLATION TEMP: N/A
 MAXIMUM MOUNTING TORQUE: 6.0 in*lbs

VENDOR: EMI Filter Company 12750 59th Way N. Clearwater, FL 33760 (727) 585-7990 (727) 586-5138 Fax www.emifiltercompany.com		FILTERS, EMI, STANDARD ("Pi") CIRCUIT 8-32 THREADED BODY		
FSCM NO.	DWG NO.	B8P473A REVC		REV C
SCALE				

- * RoHS Compliant
- * ISO 9001:2008 Registered
- * Discoidal Capacitor Construction

B8P653A
Industry Standard 8-32
65,000pF Cap. "Pi" Feed-Thru



PART NUMBER	EMI P/N:	CAP. (pF)	COLOR DOT(S)	MAX. WVDC	DC AMPS	MINIMUM NO LOAD INSERTION LOSS				
						1 MHz	10 MHz	100 MHz	1 GHz	10 GHz
B8P653A		65,000	2 BROWN	50	10	23	65	85	90	90

ELECTRICAL

CAPACITANCE TOLERANCE: +100/-0%
 DISSIPATION FACTOR: 3.5% MAX.
 INSULATION RESISTANCE:
 25° C=10,000 Mohm Min.
 125° C=1,000 Mohm Min.
 DIELECTRIC STRENGTH (DWV):
 250% of WVDC (5 seconds)
 TEMPERATURE CHARACTERISTIC:
 X7R or better

PHYSICAL

DIMENSION TOLERANCE:
 CASE LENGTH: +/- .010" (.250mm)
 LEAD LENGTH: +/- .030" (.762mm)
 LEAD DIAMETER: +/- .002" (.051mm)
 MATERIAL AND FINISH:
 CASE: C12L14 CRS
 LEAD: Copper (1/2 Hard)
 FINISH: Silver per QQ-S-365

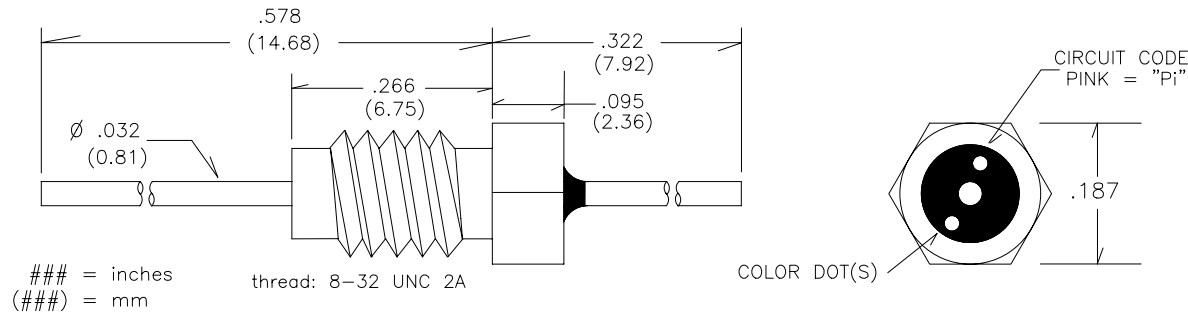
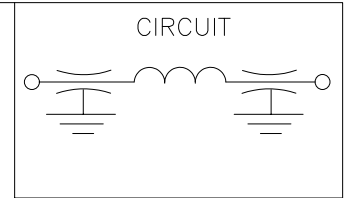
IDENTIFICATION & LIMITS

MARKING: Color Dot standard per chart
 OPERATING TEMP: -55° C to +125° C
 INSTALLATION TEMP: N/A
 MAXIMUM MOUNTING TORQUE: 6.0 in*lbs

VENDOR: EMI Filter Company 12750 59th Way N. Clearwater, FL 33760 (727) 585-7990 (727) 586-5138 Fax www.emifiltercompany.com		FILTERS, EMI, STANDARD ("Pi") CIRCUIT 8-32 THREADED BODY		
FSCM NO.		DWG NO.		REV
		B8P653A REVC		C
SCALE				

- * RoHS Compliant
- * ISO 9001:2008 Registered
- * Discoidal Capacitor Construction

B8P753A
 Industry Standard 8-32
 75,000pF Cap. "Pi" Feed-Thru



PART NUMBER	EMI P/N:	CAP. (pF)	COLOR DOT(S)	MAX. WVDC	DC AMPS	MINIMUM NO LOAD INSERTION LOSS				
						1 MHz	10 MHz	100 MHz	1 GHz	10 GHz
B8P753A		75,000	2 BROWN	50	10	27	70	90	90	90

ELECTRICAL

CAPACITANCE TOLERANCE: +100/-0%
 DISSIPATION FACTOR: 3.5% MAX.
 INSULATION RESISTANCE:
 25° C=10,000 Mohm Min.
 125° C=1,000 Mohm Min.
 DIELECTRIC STRENGTH (DWV):
 250% of WVDC (5 seconds)
 TEMPERATURE CHARACTERISTIC:
 X7R or better

PHYSICAL

DIMENSION TOLERANCE:
 CASE LENGTH: +/- .010" (.250mm)
 LEAD LENGTH: +/- .030" (.762mm)
 LEAD DIAMETER: +/- .002" (.051mm)
 MATERIAL AND FINISH:
 CASE: C12L14 CRS
 LEAD: Copper (1/2 Hard)
 FINISH: Silver per QQ-S-365

IDENTIFICATION & LIMITS

MARKING: Color Dot standard per chart
 OPERATING TEMP: -55° C to +125° C
 INSTALLATION TEMP: N/A
 MAXIMUM MOUNTING TORQUE: 6.0 in*lbs

VENDOR: EMI Filter Company 12750 59th Way N. Clearwater, FL 33760 (727) 585-7990 (727) 586-5138 Fax www.emifiltercompany.com			FILTERS, EMI, STANDARD ("Pi") CIRCUIT 8-32 THREADED BODY		
FSCM NO.		DWG NO.		REV	
		B8P753A REVC		C	
SCALE					