

### = inches  
 (###) = mm

\* ISO 9001:2000 Registered  
 \* Discoidal Capacitor Construction

PART NUMBER	EMI P/N	CAP. (μF)	MAX. WVDC	DC AMPS	COLOR DOT(S)	MINIMUM NO LOAD INSERTION LOSS					
						100 KHz	300 KHz	1 MHz	10 MHz	100 MHz	1 GHz
	KHC103J	0.01	400	15	2 WHITE			6	21	35	50
	KHC503J	0.05	400	15	2 YELLOW		3	15	34	45	60
	KHC753J	0.075	400	15	3 RED		8	18	37	46	65
	KHC104J	0.10	400	15	3 WHITE	5	13	25	38	50	70
	KHC154J	0.15	400	15	3 WHITE	6	14	25	38	50	70
	KHC254F	0.25	300	15	2 GREEN	10	20	30	40	55	70

CAPACITANCE TOLERANCE: +100/-0%  
 DISSIPATION FACTOR: 3.5% MAX.  
 INSULATION RESISTANCE: 25° C=1000 MΩμF  
 125° C= 100 MΩμF  
 DIELECTRIC STRENGTH (DWV): 250% of WVDC (5 Seconds)  
 OPERATING TEMPERATURE: -55° C to +125° C  
 TEMPERATURE CHARACTERISTIC: X7R or better  
 MARKING: Color Dot standard per chart  
 MAXIMUM MOUNTING TORQUE: 7.0 in\*lbs  
 INSTALLATION TEMPERATURE: N/A

DIMENSION TOLERANCE:  
 CASE: +/- .010" (.250mm)  
 LEAD LENGTH: +/- .030" (.762mm)  
 LEAD DIAMETER: +/- .002" (.051mm)

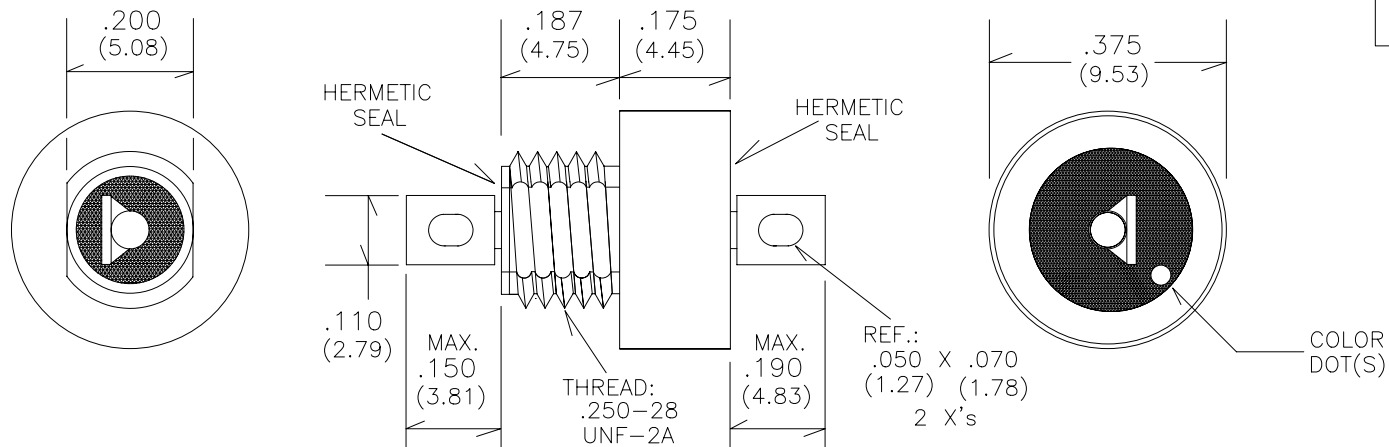
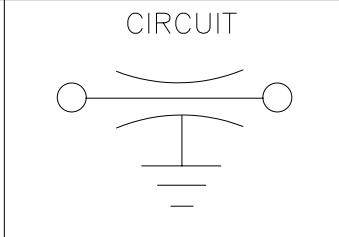
MATERIAL AND FINISH:  
 CASE: C12L14 CRS  
 LEAD: Copper (1/2 Hard)  
 FINISH: Tin over Nickel

VENDOR:  
 EMI FILTER COMPANY  
 12750 59th Way N.  
 Clearwater, FL 33760  
 (727) 585-7990  
 (727) 586-5138 FAX  
 www.emifiltercompany.com

FILTERS, EMI, HERMETIC  
 1/4-28 BOLT STYLE, "C" CIRCUIT

FSCM NO.	DWG NO.	REV
	KHCs REVB	B

KHC103J  
1/4-28 THREAD HERMETIC  
10,000pF Cap. BROADBAND FILTER



- \* ISO 9001:2000 Registered
- \* Discoidal Capacitor Construction

### = inches  
 (###) = mm

PART NUMBER	EMI P/N	CAP. (μF)	MAX. WVDC	DC AMPS	COLOR DOT(S)	MINIMUM NO LOAD INSERTION LOSS				
						100 KHz	1 MHz	10 MHz	100 MHz	1 GHz
KHC103J		0.01	400	15	2 WHITE	---	6	21	35	50

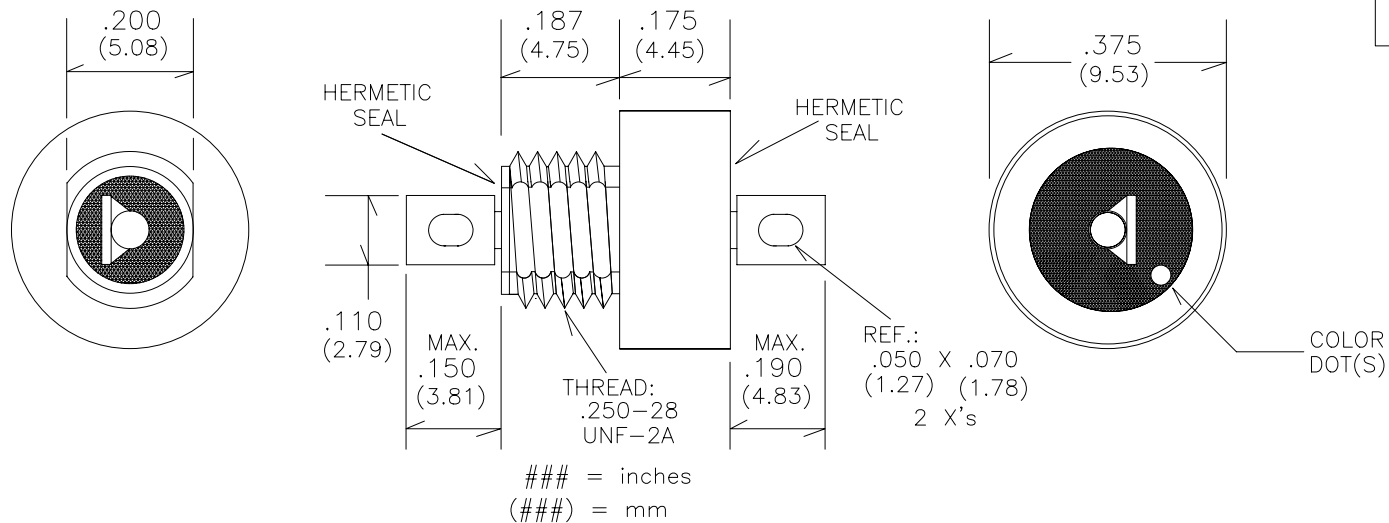
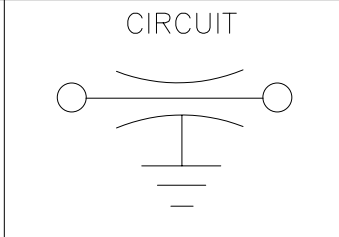
CAPACITANCE TOLERANCE: +100/-0%  
 DISSIPATION FACTOR: 3.5% MAX.  
 INSULATION RESISTANCE: 25° C=1000 MΩμF  
 125° C= 100 MΩμF  
 DIELECTRIC STRENGTH (DWV): 250% of WVDC (5 Seconds)  
 OPERATING TEMPERATURE: -55° C to +125° C  
 TEMPERATURE CHARACTERISTIC: X7R or better  
 MARKING: Color Dot standard per chart  
 MAXIMUM MOUNTING TORQUE: 7.0 in\*lbs  
 INSTALLATION TEMPERATURE: N/A

DIMENSION TOLERANCE:  
 CASE: +/- .010" (.250mm)  
 LEAD LENGTH: +/- .030" (.762mm)  
 LEAD DIAMETER: +/- .002" (.051mm)

MATERIAL AND FINISH:  
 CASE: C12L14 CRS  
 LEAD: Copper (1/2 Hard)  
 FINISH: Tin over Nickel

VENDOR: EMI FILTER COMPANY 12750 59th Way N. Clearwater, FL 33760 (727) 585-7990 (727) 586-5138 FAX www.emifiltercompany.com		FILTERS, EMI, HERMETIC 1/4-28 BOLT STYLE, "C" CIRCUIT		
FSCM NO.	DWG NO. KHC103J REVB	REV B		

KHC503J  
1/4-28 THREAD HERMETIC  
50,000pF Cap. BROADBAND FILTER



- \* ISO 9001:2000 Registered
- \* Discoidal Capacitor Construction

PART NUMBER	EMI P/N	CAP. (μF)	MAX. WVDC	DC AMPS	COLOR DOT(S)	MINIMUM NO LOAD INSERTION LOSS				
						100 KHz	1 MHz	10 MHz	100 MHz	1 GHz
KHC503J		.05	400	15	2 YELLOW	---	15	34	45	60

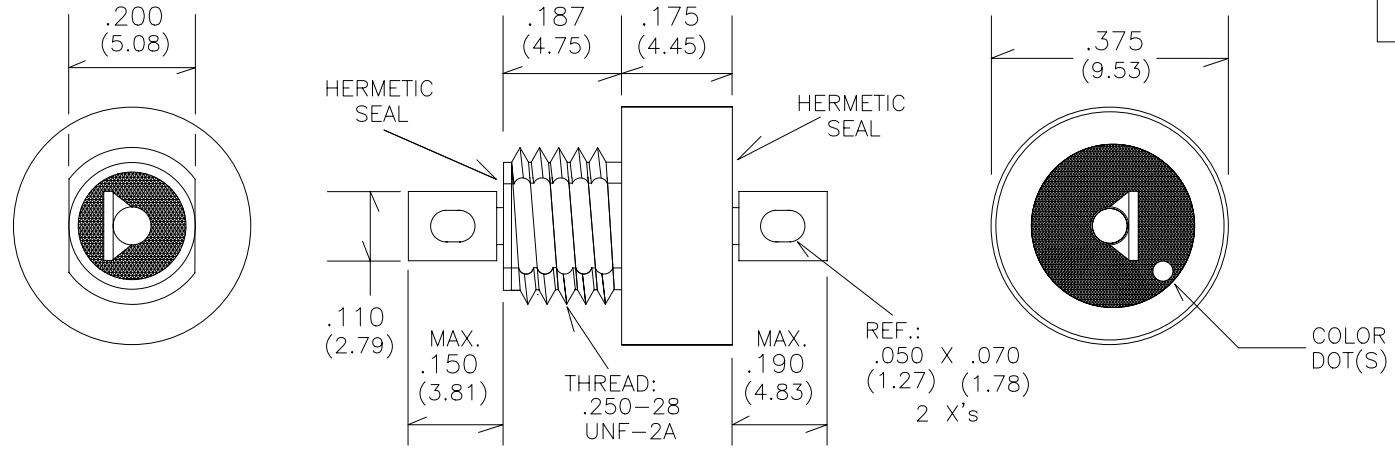
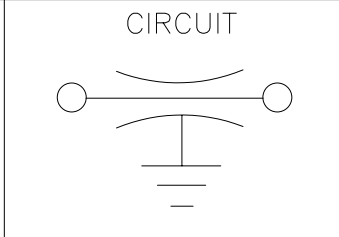
CAPACITANCE TOLERANCE: +100/-0%  
 DISSIPATION FACTOR: 3.5% MAX.  
 INSULATION RESISTANCE: 25° C=1000 MΩμF  
 125° C= 100 MΩμF  
 DIELECTRIC STRENGTH (DWV): 250% of WVDC (5 Seconds)  
 OPERATING TEMPERATURE: -55° C to +125° C  
 TEMPERATURE CHARACTERISTIC: X7R or better  
 MARKING: Color Dot standard per chart  
 MAXIMUM MOUNTING TORQUE: 7.0 in\*lbs  
 INSTALLATION TEMPERATURE: N/A

DIMENSION TOLERANCE:  
 CASE: +/- .010" (.250mm)  
 LEAD LENGTH: +/- .030" (.762mm)  
 LEAD DIAMETER: +/- .002" (.051mm)

MATERIAL AND FINISH:  
 CASE: C12L14 CRS  
 LEAD: Copper (1/2 Hard)  
 FINISH: Tin over Nickel

VENDOR: EMI FILTER COMPANY 12750 59th Way N. Clearwater, FL 33760 (727) 585-7990 (727) 586-5138 FAX www.emifiltercompany.com			FILTERS, EMI, HERMETIC 1/4-28 BOLT STYLE, "C" CIRCUIT		
FSCM NO.		DWG NO. KHC503J REVB		REV B	

KHC753J  
 1/4-28 THREAD HERMETIC  
 75,000pF Cap. BROADBAND FILTER



### = inches  
 (###) = mm

- \* ISO 9001:2000 Registered
- \* Discoidal Capacitor Construction

PART NUMBER	EMI P/N	CAP. (μF)	MAX. WVDC	DC AMPS	COLOR DOT(S)	MINIMUM NO LOAD INSERTION LOSS				
						100 KHz	1 MHz	10 MHz	100 MHz	1 GHz
KHC753J		.075	400	15	3 RED	---	18	37	46	65

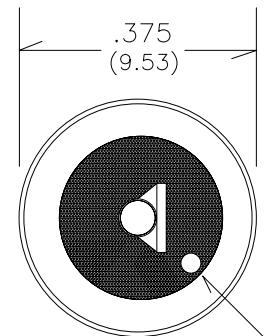
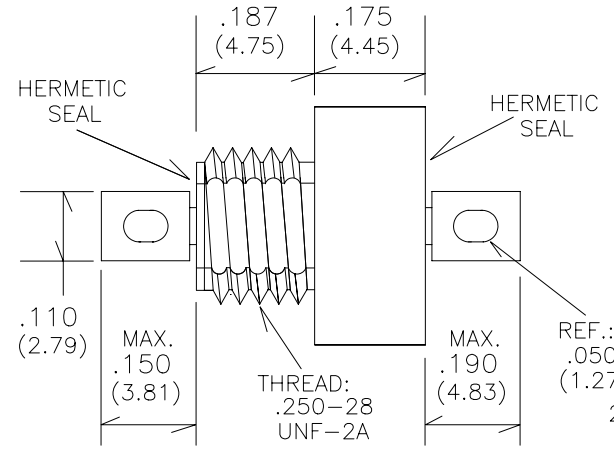
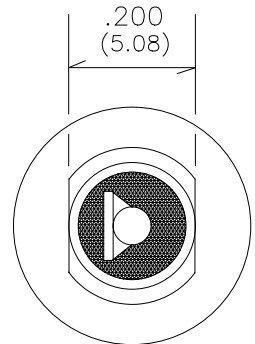
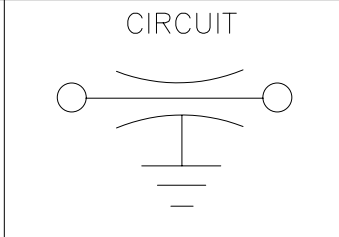
CAPACITANCE TOLERANCE: +100/-0%  
 DISSIPATION FACTOR: 3.5% MAX.  
 INSULATION RESISTANCE: 25° C=1000 MΩμF  
 125° C= 100 MΩμF  
 DIELECTRIC STRENGTH (DWV): 250% of WVDC (5 Seconds)  
 OPERATING TEMPERATURE: -55° C to +125° C  
 TEMPERATURE CHARACTERISTIC: X7R or better  
 MARKING: Color Dot standard per chart  
 MAXIMUM MOUNTING TORQUE: 7.0 in\*lbs  
 INSTALLATION TEMPERATURE: N/A

DIMENSION TOLERANCE:  
 CASE: +/- .010" (.250mm)  
 LEAD LENGTH: +/- .030" (.762mm)  
 LEAD DIAMETER: +/- .002" (.051mm)

MATERIAL AND FINISH:  
 CASE: C12L14 CRS  
 LEAD: Copper (1/2 Hard)  
 FINISH: Tin over Nickel

VENDOR: EMI FILTER COMPANY 12750 59th Way N. Clearwater, FL 33760 (727) 585-7990 (727) 586-5138 FAX www.emifiltercompany.com		FILTERS, EMI, HERMETIC 1/4-28 BOLT STYLE, "C" CIRCUIT		
FSCM NO.	DWG NO. KHC753J REVB	REV B		

KHC104J  
1/4-28 THREAD HERMETIC  
100,000pF Cap. BROADBAND FILTER



REF.:  
.050 x .070  
(1.27) (1.78)  
2 X's

### = inches  
(###) = mm

- \* ISO 9001:2000 Registered
- \* Discoidal Capacitor Construction

PART NUMBER	EMI P/N	CAP. (μF)	MAX. WVDC	DC AMPS	COLOR DOT(S)	MINIMUM NO LOAD INSERTION LOSS				
						100 KHz	1 MHz	10 MHz	100 MHz	1 GHz
KHC104J		.10	400	15	3 WHITE	5	25	38	50	70

CAPACITANCE TOLERANCE: +100/-0%  
 DISSIPATION FACTOR: 3.5% MAX.  
 INSULATION RESISTANCE: 25° C=1000 MΩμF  
 125° C= 100 MΩμF  
 DIELECTRIC STRENGTH (DWV): 250% of WVDC (5 Seconds)  
 OPERATING TEMPERATURE: -55° C to +125° C  
 TEMPERATURE CHARACTERISTIC: X7R or better  
 MARKING: Color Dot standard per chart  
 MAXIMUM MOUNTING TORQUE: 7.0 in\*lbs  
 INSTALLATION TEMPERATURE: N/A

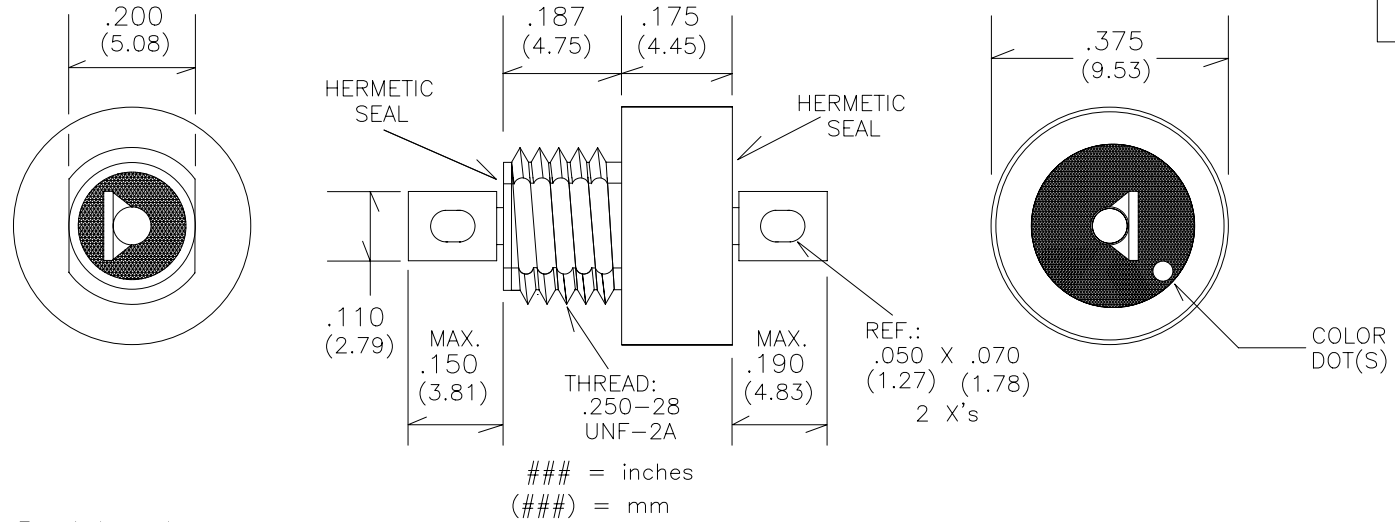
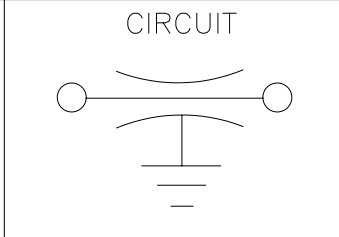
DIMENSION TOLERANCE:  
 CASE: +/- .010" (.250mm)  
 LEAD LENGTH: +/- .030" (.762mm)  
 LEAD DIAMETER: +/- .002" (.051mm)

MATERIAL AND FINISH:  
 CASE: C12L14 CRS  
 LEAD: Copper (1/2 Hard)  
 FINISH: Tin over Nickel

VENDOR:  
 EMI FILTER COMPANY  
 12750 59th Way N.  
 Clearwater, FL 33760  
 (727) 585-7990  
 (727) 586-5138 FAX  
 www.emifiltercompany.com

FILTERS, EMI, HERMETIC 1/4-28 BOLT STYLE, "C" CIRCUIT		
FSCM NO.	DWG NO.	REV
	KHC104J REVB	B

KHC154J  
1/4-28 THREAD HERMETIC  
150,000pF Cap. BROADBAND FILTER



- \* ISO 9001:2000 Registered
- \* Discoidal Capacitor Construction

PART NUMBER	EMI P/N	CAP. (μF)	MAX. WVDC	DC AMPS	COLOR DOT(S)	MINIMUM NO LOAD INSERTION LOSS				
						100 KHz	1 MHz	10 MHz	100 MHz	1 GHz
KHC154J		.15	400	15	3 WHITE	6	26	40	53	70

CAPACITANCE TOLERANCE: +100/-0%

DISSIPATION FACTOR: 3.5% MAX.

INSULATION RESISTANCE: 25° C=1000 MΩμF  
125° C= 100 MΩμF

DIELECTRIC STRENGTH (DWV): 250% of WVDC (5 Seconds)

OPERATING TEMPERATURE: -55° C to +125° C

TEMPERATURE CHARACTERISTIC: X7R or better

MARKING: Color Dot standard per chart

MAXIMUM MOUNTING TORQUE: 7.0 in\*lbs

INSTALLATION TEMPERATURE: N/A

DIMENSION TOLERANCE:

CASE: +/- .010" (.250mm)

LEAD LENGTH: +/- .030" (.762mm)

LEAD DIAMETER: +/- .002" (.051mm)

MATERIAL AND FINISH:

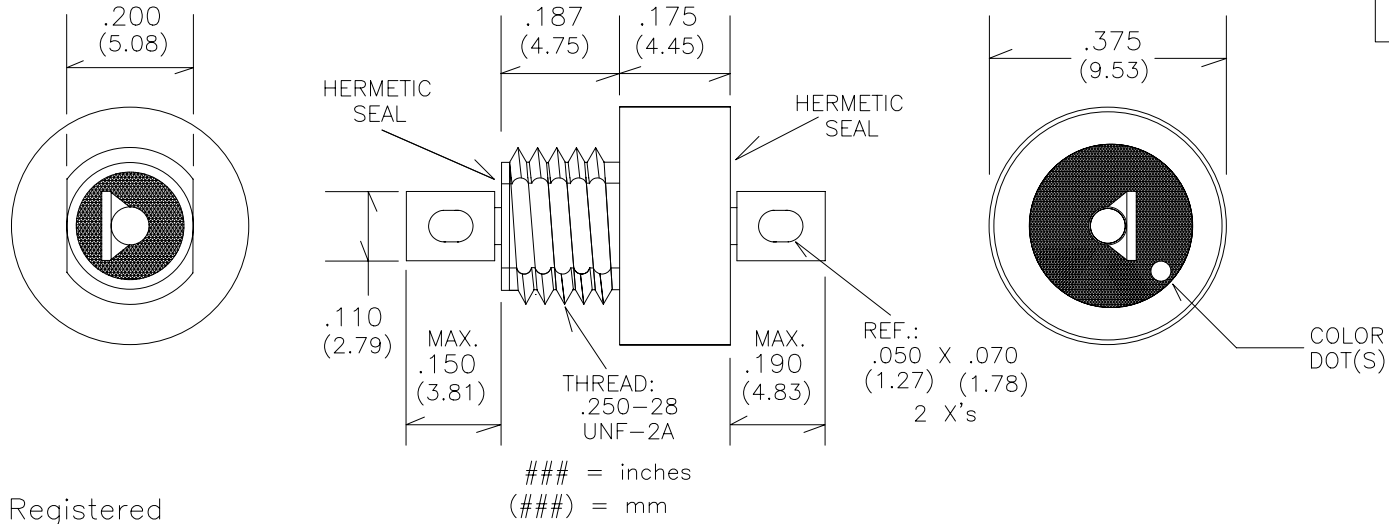
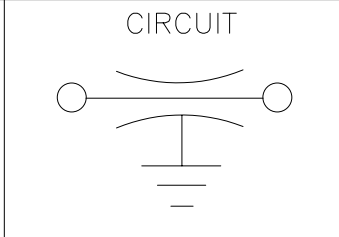
CASE: C12L14 CRS

LEAD: Copper (1/2 Hard)

FINISH: Tin over Nickel

VENDOR:		FILTERS, EMI, HERMETIC		
EMI FILTER COMPANY		1/4-28 BOLT STYLE, "C" CIRCUIT		
12750 59th Way N.		FSCM NO.	DWG NO.	REV
Clearwater, FL 33760			KHC154J REVB	B
(727) 585-7990				
(727) 586-5138 FAX				
www.emifiltercompany.com				

KHC254F  
1/4-28 THREAD HERMETIC  
250,000pF Cap. BROADBAND FILTER



- \* ISO 9001:2000 Registered
- \* Discoidal Capacitor Construction

PART NUMBER	EMI P/N	CAP. (μF)	MAX. WVDC	DC AMPS	COLOR DOT(S)	MINIMUM NO LOAD INSERTION LOSS				
						100 KHz	1 MHz	10 MHz	100 MHz	1 GHz
KHC254F		.25	300	15	3 WHITE	10	30	40	55	70

CAPACITANCE TOLERANCE: +100/-0%  
 DISSIPATION FACTOR: 3.5% MAX.  
 INSULATION RESISTANCE: 25° C=1000 MΩμF  
 125° C= 100 MΩμF  
 DIELECTRIC STRENGTH (DWV): 250% of WVDC (5 Seconds)  
 OPERATING TEMPERATURE: -55° C to +125° C  
 TEMPERATURE CHARACTERISTIC: X7R or better  
 MARKING: Color Dot standard per chart  
 MAXIMUM MOUNTING TORQUE: 7.0 in\*lbs  
 INSTALLATION TEMPERATURE: N/A

DIMENSION TOLERANCE:  
 CASE: +/- .010" (.250mm)  
 LEAD LENGTH: +/- .030" (.762mm)  
 LEAD DIAMETER: +/- .002" (.051mm)

MATERIAL AND FINISH:  
 CASE: C12L14 CRS  
 LEAD: Copper (1/2 Hard)  
 FINISH: Tin over Nickel

VENDOR: EMI FILTER COMPANY 12750 59th Way N. Clearwater, FL 33760 (727) 585-7990 (727) 586-5138 FAX www.emifiltercompany.com		FILTERS, EMI, HERMETIC 1/4-28 BOLT STYLE, "C" CIRCUIT		
FSCM NO.	DWG NO. KHC254F REVB	REV B		