

NOTE: ATTENUATION EFFECTIVENESS OF INDUCTOR IS LOST IF CURRENT THROUGH FILTER IS GREATER THAN 250 mA

= inches
 (###) = mm

PART NUMBER	EMI P/N	CAP. (μF)	MAX. WVDC	DC AMPS	COLOR DOT(S)	MINIMUM NO LOAD INSERTION LOSS					
						100 KHz	300 KHz	1 MHz	10 MHz	100 MHz	1 GHz
	KHL103J	0.01	400	15	2 WHITE			4	20	35	53
	KHL203J	0.02	400	15	1 RED + 1 WHITE		3	7	25	35	60
	KHL253J	0.025	400	15	2 RED		7	10	30	45	60
	KHL753J	0.075	400	15	3 RED	7	13	18	36	50	70
	KHL154J	0.15	400	15	3 WHITE	6	14	26	40	53	70
	KHL204F	0.20	300	15	2 GREEN	8	15	28	40	55	70
	KHL254F	0.25	300	15	2 GREEN	10	17	31	41	56	70

CAPACITANCE TOLERANCE: +100/-0%
 DISSIPATION FACTOR: 3.5% MAX.
 INSULATION RESISTANCE: 25° C=1000 MΩμF Min.
 125° C= 100 MΩμF Min.
 DIELECTRIC STRENGTH (DWV):
 250% of WVDC (5 seconds) @ 25° C
 OPERATING TEMPERATURE: -55 °C to +125 °C
 MARKING: Color Dot standard per chart
 MOUNTING TORQUE: 7.0 in*lbs

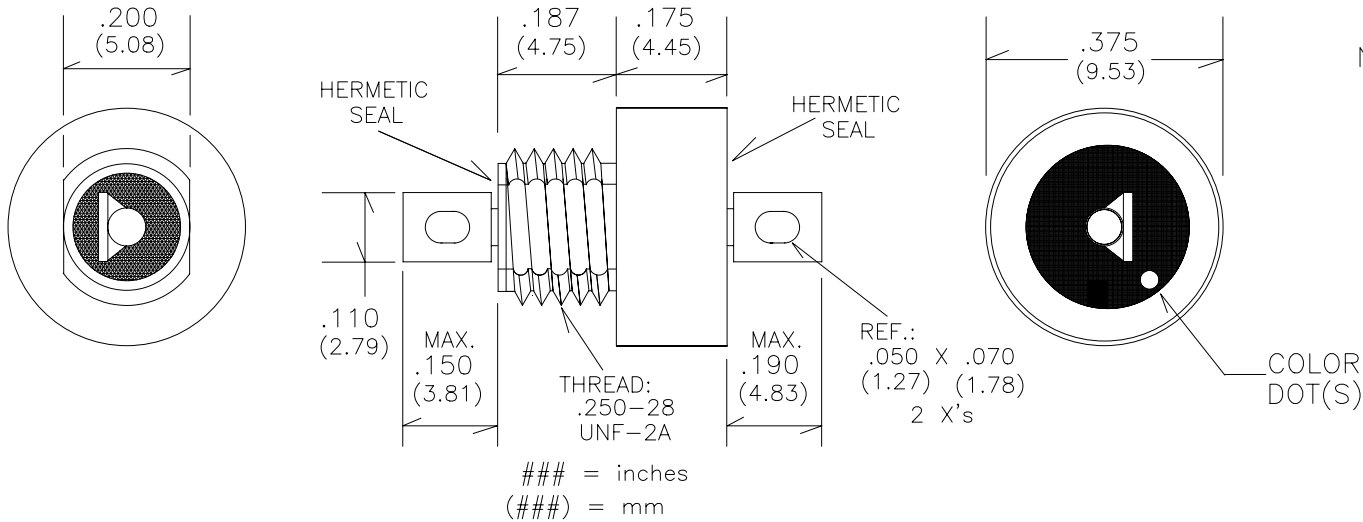
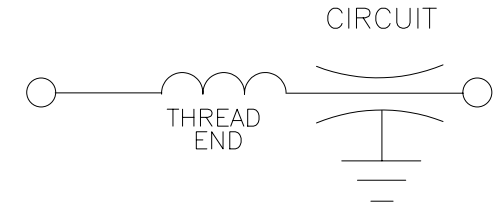
DIMENSION TOLERANCE:
 +/- .010" (.254 mm)
 AND AS NOTED

MATERIAL AND FINISH:
 CASE AND SOLDER TABS: C12L14 CRS
 FINISH: TIN OVER NICKEL

VENDOR:
 EMI FILTER COMPANY
 12750 59th Way N.
 Clearwater, FL 33760
 (727) 585-7990
 (727) 586-5138 FAX
 www.emifiltercompany.com

FILTERS, EMI, HERMETIC 1/4-28 BOLT STYLE, "L" CIRCUIT		
FSCM NO.	DWG NO. KHLs REVA	REV A

KHL103J
1/4-28 THREAD NON-HERMETIC
10,000pF Cap. "L" Broadband Filter



NOTE: ATTENUATION EFFECTIVENESS OF INDUCTOR IS LOST IF CURRENT THROUGH FILTER IS GREATER THAN 250 mA

PART NUMBER	EMI P/N	CAP. (μF)	MAX. WVDC	DC AMPS	COLOR DOT(S)	MINIMUM NO LOAD INSERTION LOSS				
						100 KHz	1 MHz	10 MHz	100 MHz	1 GHz
KHL103J		0.01	400	15	2 WHITE	---	4	20	35	53

CAPACITANCE TOLERANCE: +100/-0%
DISSIPATION FACTOR: 3.5% MAX.

INSULATION RESISTANCE: 25° C=1000 MΩμF Min.
125° C= 100 MΩμF Min.

DIELECTRIC STRENGTH (DWV):
250% of WVDC (5 seconds) @ 25° C

OPERATING TEMPERATURE: -55 °C to +125 °C

MARKING: Color Dot standard per chart

MOUNTING TORQUE: 7.0 in*lbs

DIMENSION TOLERANCE:
+/- .010" (.254 mm)
AND AS NOTED

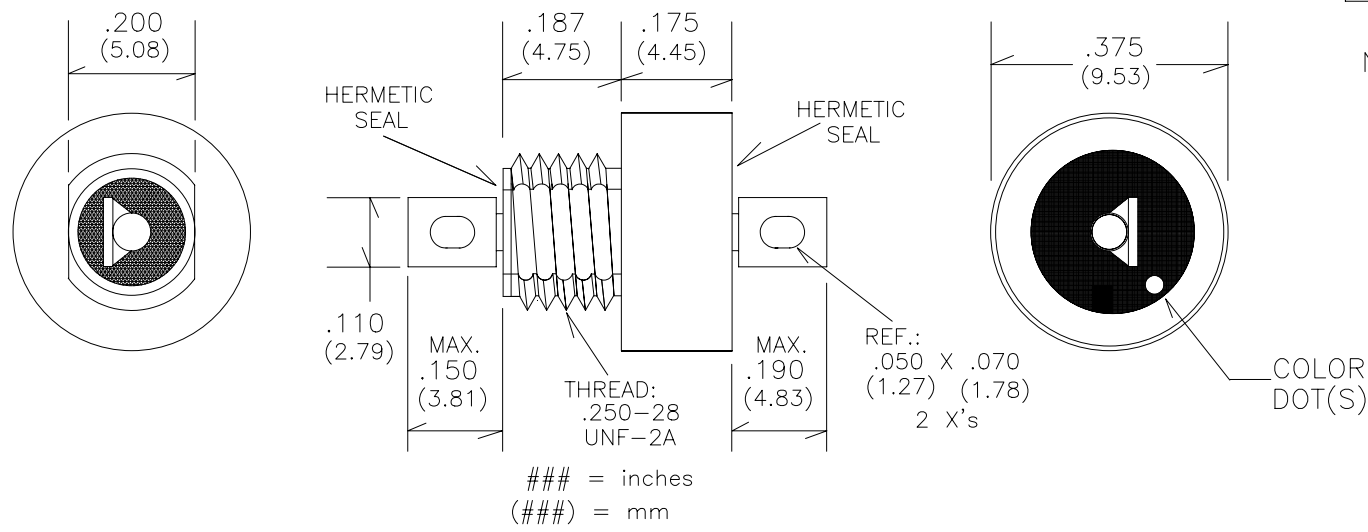
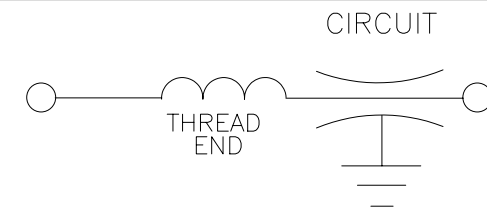
MATERIAL AND FINISH:
CASE AND SOLDER TABS: C12L14 CRS
FINISH: TIN OVER NICKEL

VENDOR:
EMI FILTER COMPANY
12750 59th Way N.
Clearwater, FL 33760
(727) 585-7990
(727) 586-5138 FAX
www.emifiltercompany.com

FILTERS, EMI, HERMETIC
1/4-28 BOLT STYLE, "L" CIRCUIT

FSCM NO.	DWG NO. KHL103J REVA	REV A
----------	-------------------------	----------

KHL203J
1/4-28 THREAD NON-HERMETIC
20,000pF Cap. "L" Broadband Filter



NOTE: ATTENUATION EFFECTIVENESS OF INDUCTOR IS LOST IF CURRENT THROUGH FILTER IS GREATER THAN 250 mA

PART NUMBER	EMI P/N	CAP. (μF)	MAX. WVDC	DC AMPS	COLOR DOT(S)	MINIMUM NO LOAD INSERTION LOSS				
						100 KHz	1 MHz	10 MHz	100 MHz	1 GHz
KHL203J		0.02	400	15	RED+WHITE	---	7	25	35	60

CAPACITANCE TOLERANCE: +100/-0%
DISSIPATION FACTOR: 3.5% MAX.
INSULATION RESISTANCE: 25° C=1000 MΩμF Min.
125° C= 100 MΩμF Min.
DIELECTRIC STRENGTH (DWV):
250% of WVDC (5 seconds) @ 25° C
OPERATING TEMPERATURE: -55 °C to +125 °C
MARKING: Color Dot standard per chart
MOUNTING TORQUE: 7.0 in*lbs

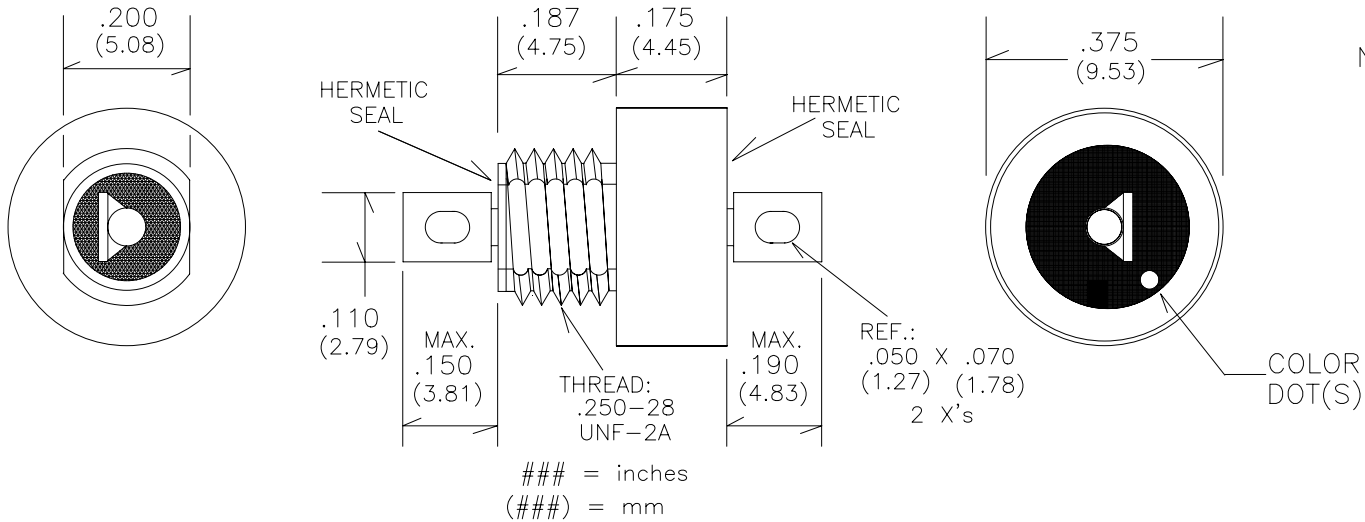
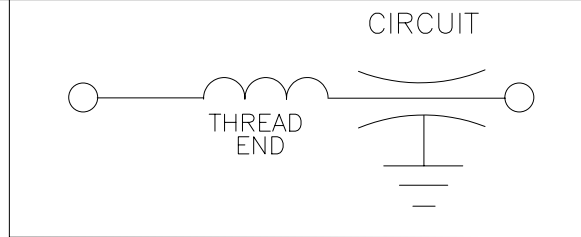
DIMENSION TOLERANCE:
+/- .010" (.254 mm)
AND AS NOTED

MATERIAL AND FINISH:
CASE AND SOLDER TABS: C12L14 CRS
FINISH: TIN OVER NICKEL

VENDOR:
EMI FILTER COMPANY
12750 59th Way N.
Clearwater, FL 33760
(727) 585-7990
(727) 586-5138 FAX
www.emifiltercompany.com

FILTERS, EMI, HERMETIC 1/4-28 BOLT STYLE, "L" CIRCUIT		
FSCM NO.	DWG NO. KHL203J REVA	REV A

KHL253J
1/4-28 THREAD NON-HERMETIC
25,000pF Cap. "L" Broadband Filter



NOTE: ATTENUATION EFFECTIVENESS OF INDUCTOR IS LOST IF CURRENT THROUGH FILTER IS GREATER THAN 250 mA

PART NUMBER	EMI P/N	CAP. (μF)	MAX. WVDC	DC AMPS	COLOR DOT(S)	MINIMUM NO LOAD INSERTION LOSS				
						100 KHz	1 MHz	10 MHz	100 MHz	1 GHz
KHL253J		0.025	400	15	2 RED	---	10	30	45	60

CAPACITANCE TOLERANCE: +100/-0%
DISSIPATION FACTOR: 3.5% MAX.

INSULATION RESISTANCE: 25° C=1000 MΩμF Min.
125° C= 100 MΩμF Min.

DIELECTRIC STRENGTH (DWV):
250% of WVDC (5 seconds) @ 25° C

OPERATING TEMPERATURE: -55 °C to +125 °C

MARKING: Color Dot standard per chart

MOUNTING TORQUE: 7.0 in*lbs

DIMENSION TOLERANCE:
+/- .010" (.254 mm)
AND AS NOTED

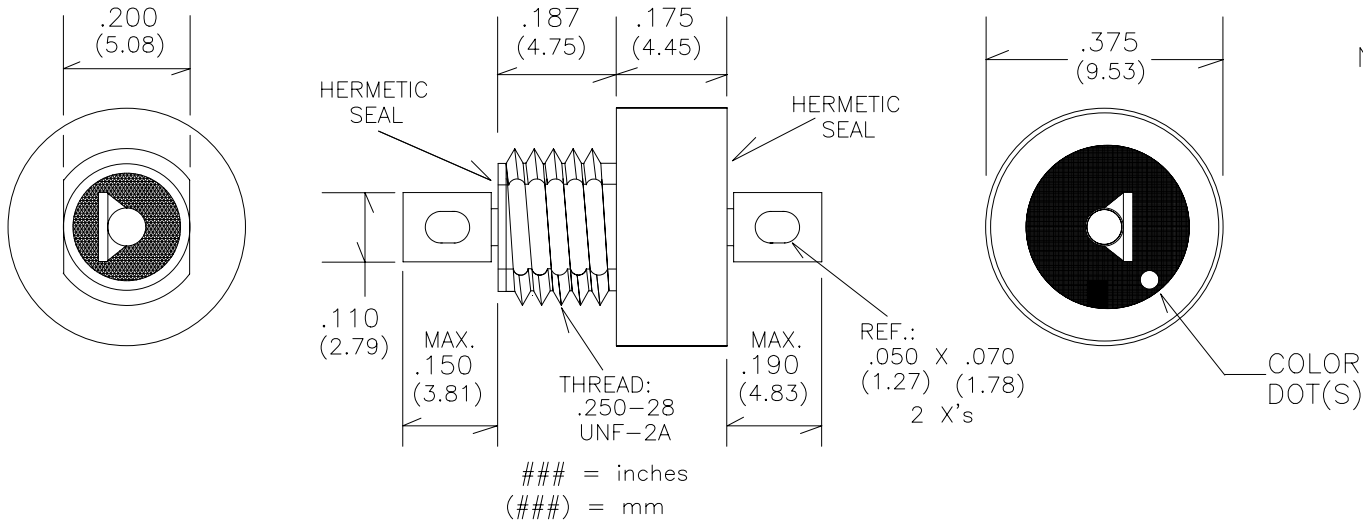
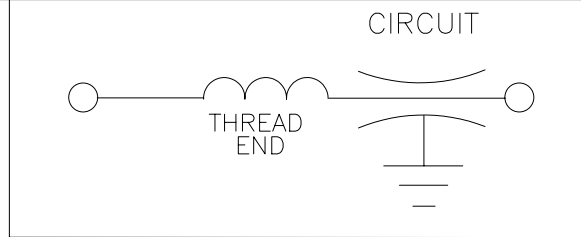
MATERIAL AND FINISH:
CASE AND SOLDER TABS: C12L14 CRS
FINISH: TIN OVER NICKEL

VENDOR:
EMI FILTER COMPANY
12750 59th Way N.
Clearwater, FL 33760
(727) 585-7990
(727) 586-5138 FAX
www.emifiltercompany.com

FILTERS, EMI, HERMETIC
1/4-28 BOLT STYLE, "L" CIRCUIT

FSCM NO.	DWG NO. KHL253J REVA	REV A
----------	-------------------------	----------

KHL753J
 1/4-28 THREAD NON-HERMETIC
 75,000pF Cap. "L" Broadband Filter



NOTE: ATTENUATION EFFECTIVENESS OF INDUCTOR IS LOST IF CURRENT THROUGH FILTER IS GREATER THAN 250 mA

PART NUMBER	EMI P/N	CAP. (μF)	MAX. WVDC	DC AMPS	COLOR DOT(S)	MINIMUM NO LOAD INSERTION LOSS				
						100 KHz	1 MHz	10 MHz	100 MHz	1 GHz
KHL753J		0.075	400	15	3 RED	---	18	36	50	70

CAPACITANCE TOLERANCE: +100/-0%
 DISSIPATION FACTOR: 3.5% MAX.

INSULATION RESISTANCE: 25° C=1000 MΩμF Min.
 125° C= 100 MΩμF Min.

DIELECTRIC STRENGTH (DWV):
 250% of WVDC (5 seconds) @ 25° C

OPERATING TEMPERATURE: -55 °C to +125 °C

MARKING: Color Dot standard per chart

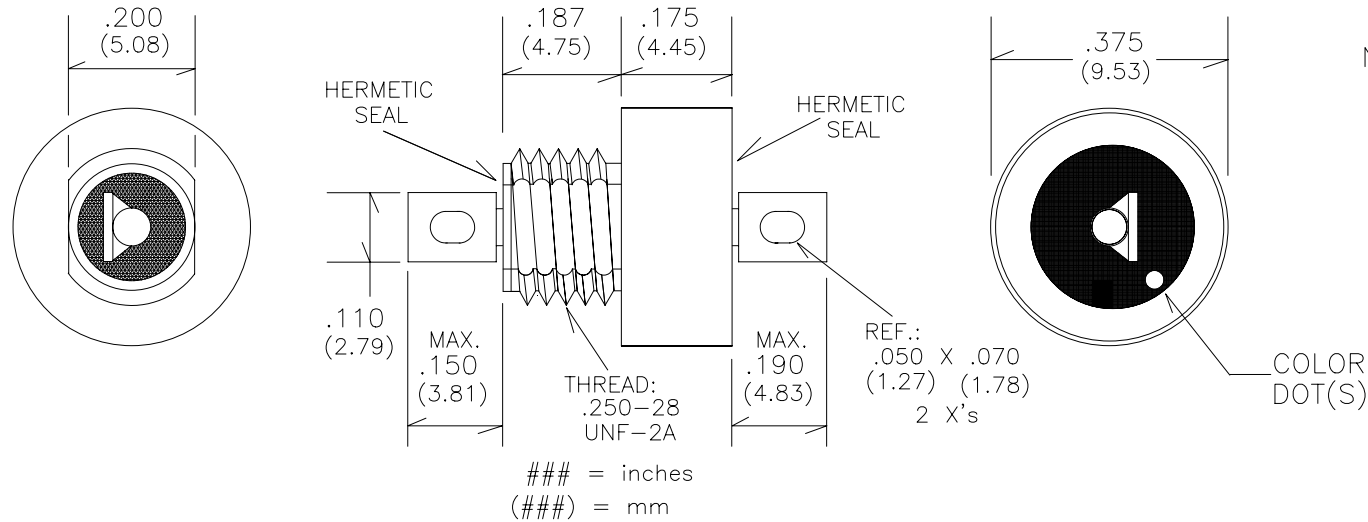
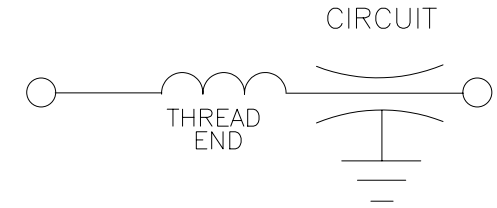
MOUNTING TORQUE: 7.0 in*lbs

DIMENSION TOLERANCE:
 +/- .010" (.254 mm)
 AND AS NOTED

MATERIAL AND FINISH:
 CASE AND SOLDER TABS: C12L14 CRS
 FINISH: TIN OVER NICKEL

VENDOR: EMI FILTER COMPANY 12750 59th Way N. Clearwater, FL 33760 (727) 585-7990 (727) 586-5138 FAX www.emifiltercompany.com			FILTERS, EMI, HERMETIC 1/4-28 BOLT STYLE, "L" CIRCUIT		
FSCM NO.		DWG NO.		REV	
		KHL753J REVA		A	

KHL154J
1/4-28 THREAD NON-HERMETIC
150,000pF Cap. "L" Broadband Filter



NOTE: ATTENUATION EFFECTIVENESS OF INDUCTOR IS LOST IF CURRENT THROUGH FILTER IS GREATER THAN 250 mA

PART NUMBER	EMI P/N	CAP. (μF)	MAX. WVDC	DC AMPS	COLOR DOT(S)	MINIMUM NO LOAD INSERTION LOSS				
						100 KHz	1 MHz	10 MHz	100 MHz	1 GHz
KHL154J		0.15	400	15	3 WHITE	6	26	40	53	70

CAPACITANCE TOLERANCE: +100/-0%
DISSIPATION FACTOR: 3.5% MAX.

INSULATION RESISTANCE: 25° C=1000 MΩμF Min.
125° C= 100 MΩμF Min.

DIELECTRIC STRENGTH (DWV):
250% of WVDC (5 seconds) @ 25° C

OPERATING TEMPERATURE: -55 °C to +125 °C

MARKING: Color Dot standard per chart

MOUNTING TORQUE: 7.0 in*lbs

DIMENSION TOLERANCE:
+/- .010" (.254 mm)
AND AS NOTED

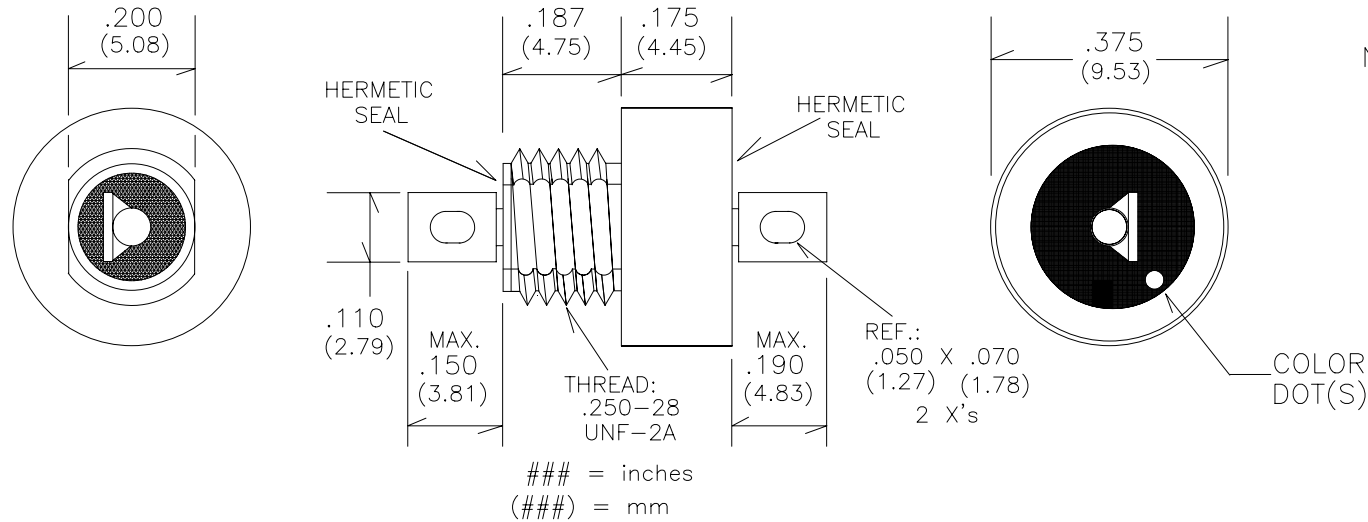
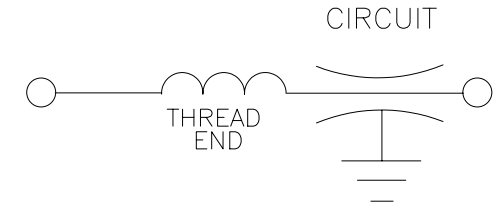
MATERIAL AND FINISH:
CASE AND SOLDER TABS: C12L14 CRS
FINISH: TIN OVER NICKEL

VENDOR:
EMI FILTER COMPANY
12750 59th Way N.
Clearwater, FL 33760
(727) 585-7990
(727) 586-5138 FAX
www.emifiltercompany.com

FILTERS, EMI, HERMETIC
1/4-28 BOLT STYLE, "L" CIRCUIT

FSCM NO.	DWG NO. KHL154J REVA	REV A
----------	-------------------------	----------

KHL204F
1/4-28 THREAD NON-HERMETIC
200,000pF Cap. "L" Broadband Filter



NOTE: ATTENUATION EFFECTIVENESS OF INDUCTOR IS LOST IF CURRENT THROUGH FILTER IS GREATER THAN 250 mA

PART NUMBER	EMI P/N	CAP. (μF)	MAX. WVDC	DC AMPS	COLOR DOT(S)	MINIMUM NO LOAD INSERTION LOSS				
						100 KHz	1 MHz	10 MHz	100 MHz	1 GHz
KHL204F		0.20	300	15	2 GREEN	8	28	40	55	70

MATERIAL AND FINISH:

CAPACITANCE TOLERANCE: +100/-0%
DISSIPATION FACTOR: 3.5% MAX.

INSULATION RESISTANCE: 25° C=1000 MΩμF Min.
125° C= 100 MΩμF Min.

DIELECTRIC STRENGTH (DWV):
250% of WVDC (5 seconds) @ 25° C

OPERATING TEMPERATURE: -55 °C to +125 °C

MARKING: Color Dot standard per chart

MOUNTING TORQUE: 7.0 in*lbs

DIMENSION TOLERANCE:
+/- .010" (.254 mm)
AND AS NOTED

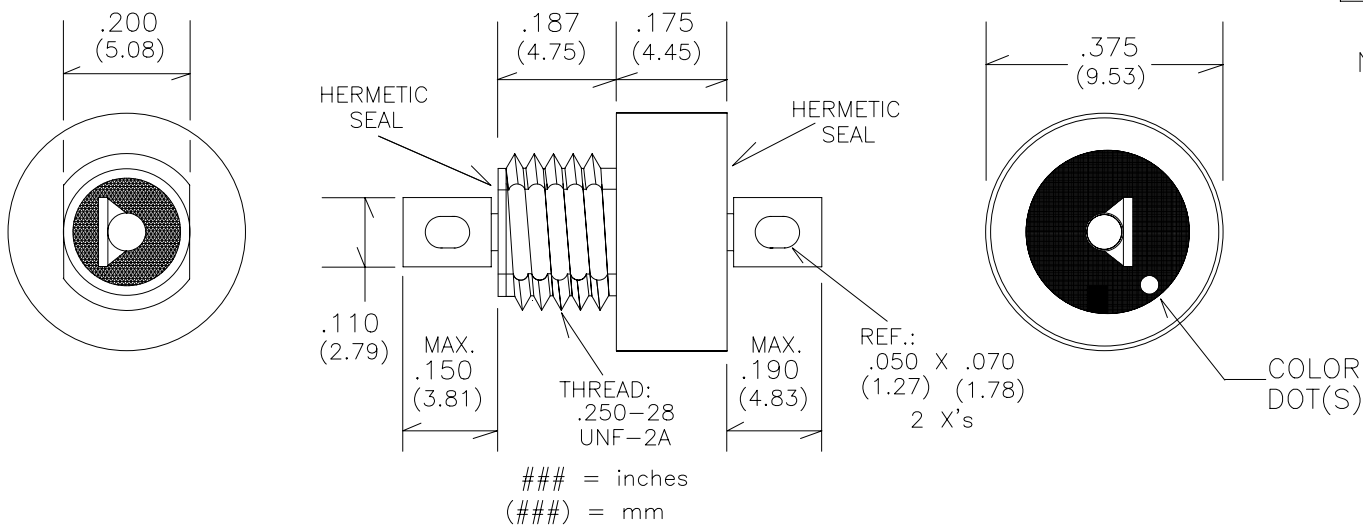
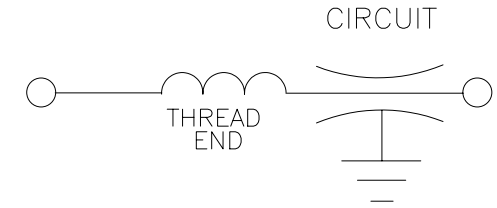
MATERIAL AND FINISH:
CASE AND SOLDER TABS: C12L14 CRS
FINISH: TIN OVER NICKEL

VENDOR:
EMI FILTER COMPANY
12750 59th Way N.
Clearwater, FL 33760
(727) 585-7990
(727) 586-5138 FAX
www.emifiltercompany.com

FILTERS, EMI, HERMETIC
1/4-28 BOLT STYLE, "L" CIRCUIT

FSCM NO.	DWG NO.	REV
	KHL204F REVA	A

KHL254F
1/4-28 THREAD NON-HERMETIC
250,000pF Cap. "L" Broadband Filter



NOTE: ATTENUATION EFFECTIVENESS OF INDUCTOR IS LOST IF CURRENT THROUGH FILTER IS GREATER THAN 250 mA

PART NUMBER	EMI P/N	CAP. (μF)	MAX. WVDC	DC AMPS	COLOR DOT(S)	MINIMUM NO LOAD INSERTION LOSS				
						100 KHz	1 MHz	10 MHz	100 MHz	1 GHz
KHL254F		0.25	300	15	2 GREEN	10	31	41	56	70

CAPACITANCE TOLERANCE: +100/-0%
DISSIPATION FACTOR: 3.5% MAX.
INSULATION RESISTANCE: 25° C=1000 MΩμF Min.
125° C= 100 MΩμF Min.
DIELECTRIC STRENGTH (DWV):
250% of WVDC (5 seconds) @ 25° C
OPERATING TEMPERATURE: -55 °C to +125 °C
MARKING: Color Dot standard per chart
MOUNTING TORQUE: 7.0 in*lbs

DIMENSION TOLERANCE:
+/- .010" (.254 mm)
AND AS NOTED

MATERIAL AND FINISH:
CASE AND SOLDER TABS: C12L14 CRS
FINISH: TIN OVER NICKEL

VENDOR: EMI FILTER COMPANY 12750 59th Way N. Clearwater, FL 33760 (727) 585-7990 (727) 586-5138 FAX www.emifiltercompany.com			FILTERS, EMI, HERMETIC 1/4-28 BOLT STYLE, "L" CIRCUIT		
FSCM NO.		DWG NO. KHL254F REVA		REV A	