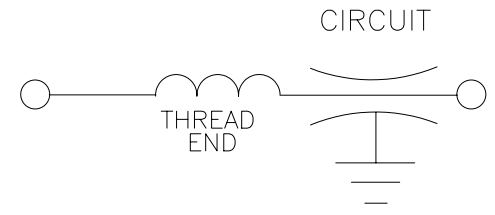


= inches
 (###) = mm



NOTE: ATTENUATION EFFECTIVENESS OF INDUCTOR IS LOST IF CURRENT THROUGH FILTER IS GREATER THAN 250 mA

* ISO 9001:2000 Registered
 * Discoidal Capacitor Construction

PART NUMBER	EMI P/N	CAP. (μF)	MAX. WVDC	DC AMPS	COLOR DOT(S)	MINIMUM NO LOAD INSERTION LOSS					
						100 KHz	300 KHz	1 MHz	10 MHz	100 MHz	1 GHz
	KHL103J	0.01	400	15	2 WHITE			4	20	35	53
	KHL203J	0.02	400	15	1 RED + 1 WHITE		3	7	25	35	60
	KHL253J	0.025	400	15	2 RED		7	10	30	45	60
	KHL753J	0.075	400	15	3 RED	7	13	18	36	50	70
	KHL154J	0.15	400	15	3 WHITE	6	14	26	40	53	70
	KHL204F	0.20	300	15	2 GREEN	8	15	28	40	55	70
	KHL254F	0.25	300	15	2 GREEN	10	17	31	41	56	70

CAPACITANCE TOLERANCE: +100/-0%
 DISSIPATION FACTOR: 3.5% MAX.
 INSULATION RESISTANCE: 25° C=1000 MΩμF
 125° C= 100 MΩμF
 DIELECTRIC STRENGTH (DWV): 250% of WVDC (5 Seconds)
 OPERATING TEMPERATURE: -55° C to +125° C
 TEMPERATURE CHARACTERISTIC: X7R or better
 MARKING: Color Dot standard per chart
 MAXIMUM MOUNTING TORQUE: 7.0 in*lbs
 INSTALLATION TEMPERATURE: N/A

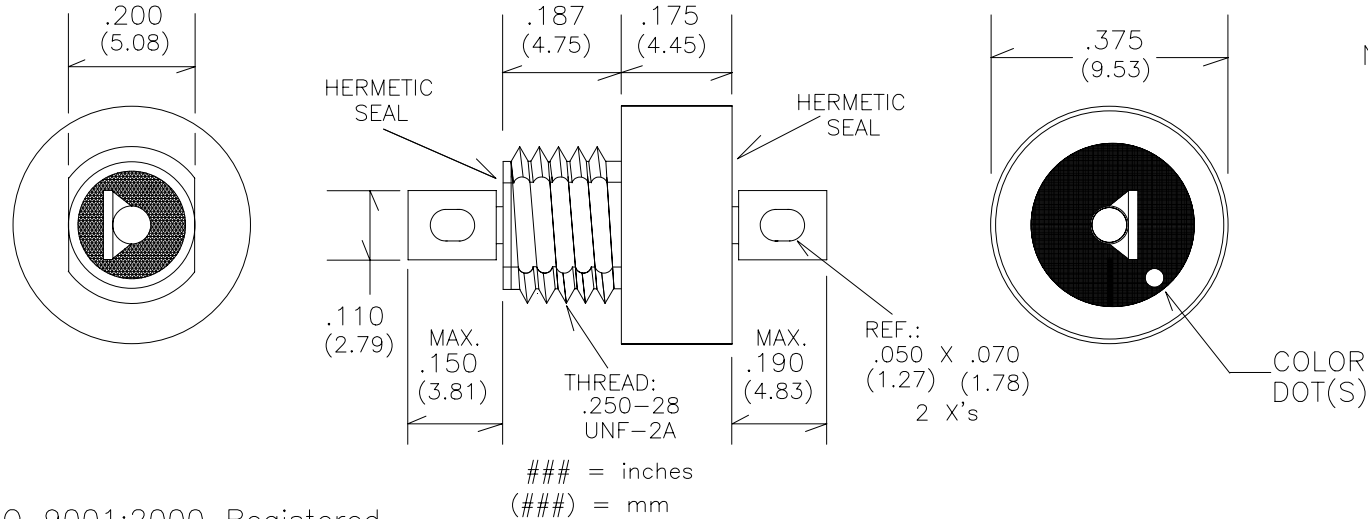
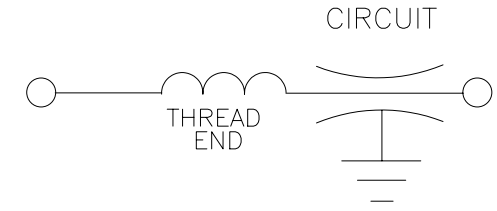
DIMENSION TOLERANCE:
 CASE: +/- .010" (.250mm)
 LEAD LENGTH: +/- .030" (.762mm)
 LEAD DIAMETER: +/- .002" (.051mm)

MATERIAL AND FINISH:
 CASE: C12L14 CRS
 LEAD: Copper (1/2 Hard)
 FINISH: Tin over Nickel

VENDOR:
 EMI FILTER COMPANY
 12750 59th Way N.
 Clearwater, FL 33760
 (727) 585-7990
 (727) 586-5138 FAX
 www.emifiltercompany.com

FILTERS, EMI, HERMETIC		
1/4-28 BOLT STYLE, "L" CIRCUIT		
FSCM NO.	DWG NO.	REV
	KHLs REV B	B

KHL103J
1/4-28 THREAD NON-HERMETIC
10,000pF Cap. "L" Broadband Filter



NOTE: ATTENUATION EFFECTIVENESS OF INDUCTOR IS LOST IF CURRENT THROUGH FILTER IS GREATER THAN 250 mA

- * ISO 9001:2000 Registered
- * Discoidal Capacitor Construction

PART NUMBER	EMI P/N	CAP. (μF)	MAX. WVDC	DC AMPS	COLOR DOT(S)	MINIMUM NO LOAD INSERTION LOSS				
						100 KHz	1 MHz	10 MHz	100 MHz	1 GHz
KHL103J		0.01	400	15	2 WHITE	---	4	20	35	53

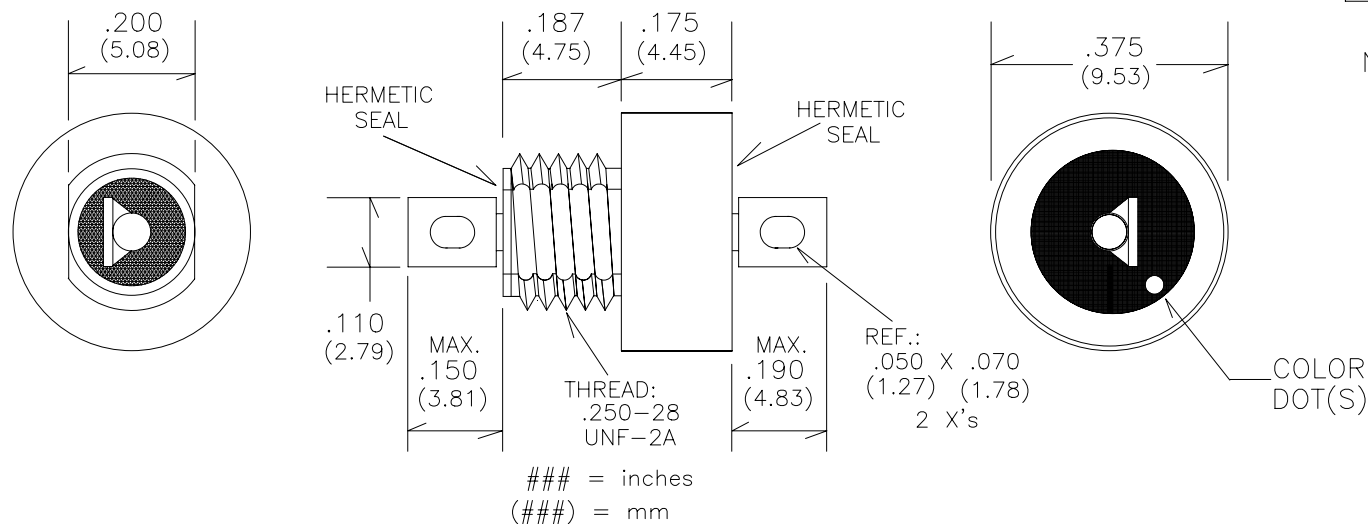
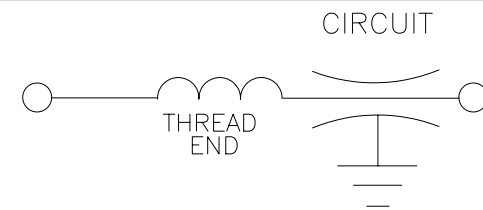
CAPACITANCE TOLERANCE: +100/-0%
 DISSIPATION FACTOR: 3.5% MAX.
 INSULATION RESISTANCE: 25° C=1000 MΩμF
 125° C= 100 MΩμF
 DIELECTRIC STRENGTH (DWV): 250% of WVDC (5 Seconds)
 OPERATING TEMPERATURE: -55° C to +125° C
 TEMPERATURE CHARACTERISTIC: X7R or better
 MARKING: Color Dot standard per chart
 MAXIMUM MOUNTING TORQUE: 7.0 in*lbs
 INSTALLATION TEMPERATURE: N/A

DIMENSION TOLERANCE:
 CASE: +/- .010" (.250mm)
 LEAD LENGTH: +/- .030" (.762mm)
 LEAD DIAMETER: +/- .002" (.051mm)

MATERIAL AND FINISH:
 CASE: C12L14 CRS
 LEAD: Copper (1/2 Hard)
 FINISH: Tin over Nickel

VENDOR: EMI FILTER COMPANY 12750 59th Way N. Clearwater, FL 33760 (727) 585-7990 (727) 586-5138 FAX www.emifiltercompany.com		FILTERS, EMI, HERMETIC 1/4-28 BOLT STYLE, "L" CIRCUIT		
FSCM NO.	DWG NO. KHL103J REVB	REV B		

KHL203J
1/4-28 THREAD NON-HERMETIC
20,000pF Cap. "L" Broadband Filter



NOTE: ATTENUATION EFFECTIVENESS OF INDUCTOR IS LOST IF CURRENT THROUGH FILTER IS GREATER THAN 250 mA

- * ISO 9001:2000 Registered
- * Discoidal Capacitor Construction

PART NUMBER	EMI P/N	CAP. (μF)	MAX. WVDC	DC AMPS	COLOR DOT(S)	MINIMUM NO LOAD INSERTION LOSS				
						100 KHz	1 MHz	10 MHz	100 MHz	1 GHz
KHL203J		0.02	400	15	RED+WHITE	---	7	25	35	60

CAPACITANCE TOLERANCE: +100/-0%

DISSIPATION FACTOR: 3.5% MAX.

INSULATION RESISTANCE: 25° C=1000 MΩμF
125° C= 100 MΩμF

DIELECTRIC STRENGTH (DWV): 250% of WVDC (5 Seconds)

OPERATING TEMPERATURE: -55° C to +125° C

TEMPERATURE CHARACTERISTIC: X7R or better

MARKING: Color Dot standard per chart

MAXIMUM MOUNTING TORQUE: 7.0 in*lbs

INSTALLATION TEMPERATURE: N/A

DIMENSION TOLERANCE:

CASE: +/- .010" (.250mm)

LEAD LENGTH: +/- .030" (.762mm)

LEAD DIAMETER: +/- .002" (.051mm)

MATERIAL AND FINISH:

CASE: C12L14 CRS

LEAD: Copper (1/2 Hard)

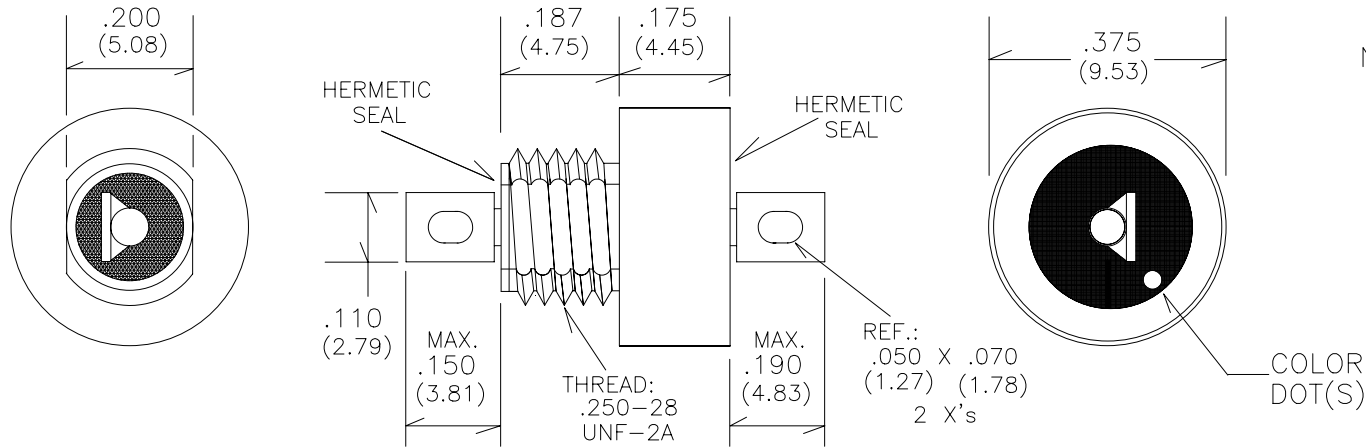
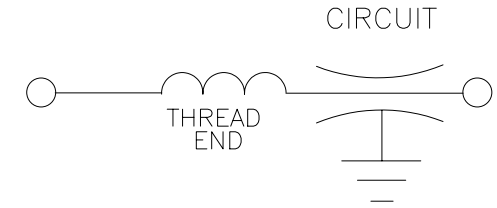
FINISH: Tin over Nickel

VENDOR:
EMI FILTER COMPANY
12750 59th Way N.
Clearwater, FL 33760
(727) 585-7990
(727) 586-5138 FAX
www.emifiltercompany.com

FILTERS, EMI, HERMETIC
1/4-28 BOLT STYLE, "L" CIRCUIT

FSCM NO.	DWG NO.	REV
	KHL203J REVB	B

KHL253J
1/4-28 THREAD NON-HERMETIC
25,000pF Cap. "L" Broadband Filter



NOTE: ATTENUATION EFFECTIVENESS OF INDUCTOR IS LOST IF CURRENT THROUGH FILTER IS GREATER THAN 250 mA

= inches
(###) = mm

- * ISO 9001:2000 Registered
- * Discoidal Capacitor Construction

PART NUMBER	EMI P/N	CAP. (μF)	MAX. WVDC	DC AMPS	COLOR DOT(S)	MINIMUM NO LOAD INSERTION LOSS				
						100 KHz	1 MHz	10 MHz	100 MHz	1 GHz
KHL253J		0.025	400	15	2 RED	---	10	30	45	60

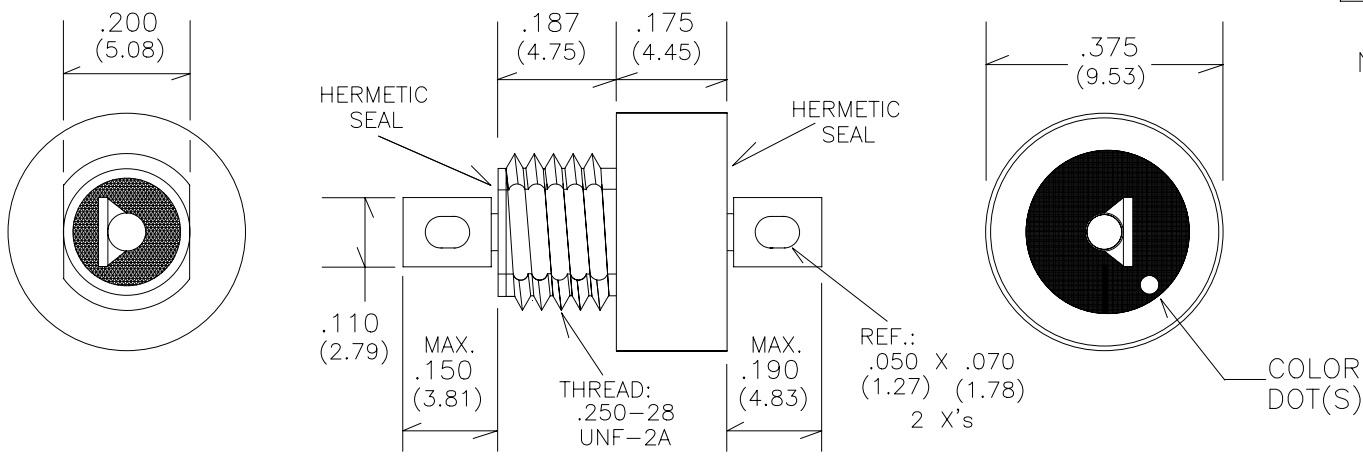
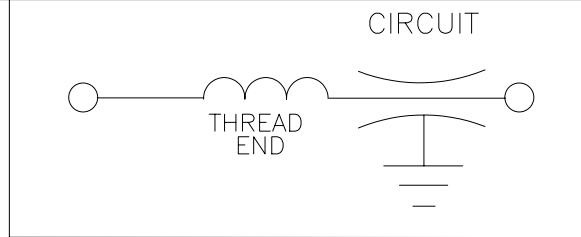
CAPACITANCE TOLERANCE: +100/-0%
 DISSIPATION FACTOR: 3.5% MAX.
 INSULATION RESISTANCE: 25° C=1000 MΩμF
 125° C= 100 MΩμF
 DIELECTRIC STRENGTH (DWV): 250% of WVDC (5 Seconds)
 OPERATING TEMPERATURE: -55° C to +125° C
 TEMPERATURE CHARACTERISTIC: X7R or better
 MARKING: Color Dot standard per chart
 MAXIMUM MOUNTING TORQUE: 7.0 in*lbs
 INSTALLATION TEMPERATURE: N/A

DIMENSION TOLERANCE:
 CASE: +/- .010" (.250mm)
 LEAD LENGTH: +/- .030" (.762mm)
 LEAD DIAMETER: +/- .002" (.051mm)

MATERIAL AND FINISH:
 CASE: C12L14 CRS
 LEAD: Copper (1/2 Hard)
 FINISH: Tin over Nickel

VENDOR: EMI FILTER COMPANY 12750 59th Way N. Clearwater, FL 33760 (727) 585-7990 (727) 586-5138 FAX www.emifiltercompany.com			FILTERS, EMI, HERMETIC 1/4-28 BOLT STYLE, "L" CIRCUIT		
FSCM NO.		DWG NO. KHL253J REVB		REV B	

KHL753J
1/4-28 THREAD NON-HERMETIC
75,000pF Cap. "L" Broadband Filter



NOTE: ATTENUATION EFFECTIVENESS OF INDUCTOR IS LOST IF CURRENT THROUGH FILTER IS GREATER THAN 250 mA

= inches
(###) = mm

- * ISO 9001:2000 Registered
- * Discoidal Capacitor Construction

PART NUMBER	EMI P/N	CAP. (μF)	MAX. WVDC	DC AMPS	COLOR DOT(S)	MINIMUM NO LOAD INSERTION LOSS				
						100 KHz	1 MHz	10 MHz	100 MHz	1 GHz
KHL753J		0.075	400	15	3 RED	---	18	36	50	70

CAPACITANCE TOLERANCE: +100/-0%
 DISSIPATION FACTOR: 3.5% MAX.
 INSULATION RESISTANCE: 25° C=1000 MΩμF
 125° C= 100 MΩμF
 DIELECTRIC STRENGTH (DWV): 250% of WVDC (5 Seconds)
 OPERATING TEMPERATURE: -55° C to +125° C
 TEMPERATURE CHARACTERISTIC: X7R or better
 MARKING: Color Dot standard per chart
 MAXIMUM MOUNTING TORQUE: 7.0 in*lbs
 INSTALLATION TEMPERATURE: N/A

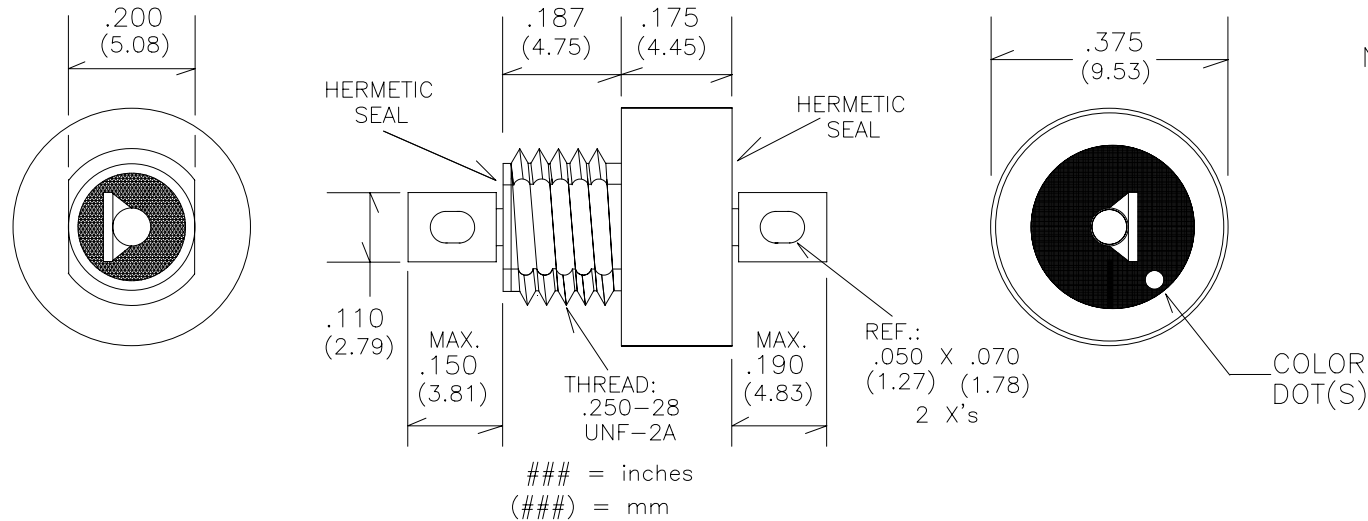
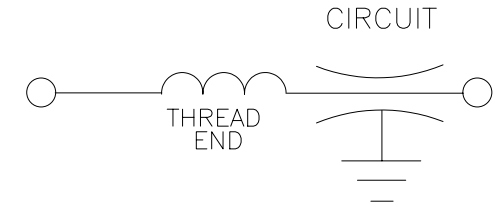
DIMENSION TOLERANCE:
 CASE: +/- .010" (.250mm)
 LEAD LENGTH: +/- .030" (.762mm)
 LEAD DIAMETER: +/- .002" (.051mm)

MATERIAL AND FINISH:
 CASE: C12L14 CRS
 LEAD: Copper (1/2 Hard)
 FINISH: Tin over Nickel

VENDOR:
 EMI FILTER COMPANY
 12750 59th Way N.
 Clearwater, FL 33760
 (727) 585-7990
 (727) 586-5138 FAX
 www.emifiltercompany.com

FILTERS, EMI, HERMETIC 1/4-28 BOLT STYLE, "L" CIRCUIT		
FSCM NO.	DWG NO.	REV
	KHL753J REVB	B

KHL154J
1/4-28 THREAD NON-HERMETIC
150,000pF Cap. "L" Broadband Filter



NOTE: ATTENUATION EFFECTIVENESS OF INDUCTOR IS LOST IF CURRENT THROUGH FILTER IS GREATER THAN 250 mA

- * ISO 9001:2000 Registered
- * Discoidal Capacitor Construction

PART NUMBER	EMI P/N	CAP. (μF)	MAX. WVDC	DC AMPS	COLOR DOT(S)	MINIMUM NO LOAD INSERTION LOSS				
						100 KHz	1 MHz	10 MHz	100 MHz	1 GHz
KHL154J		0.15	400	15	3 WHITE	6	26	40	53	70

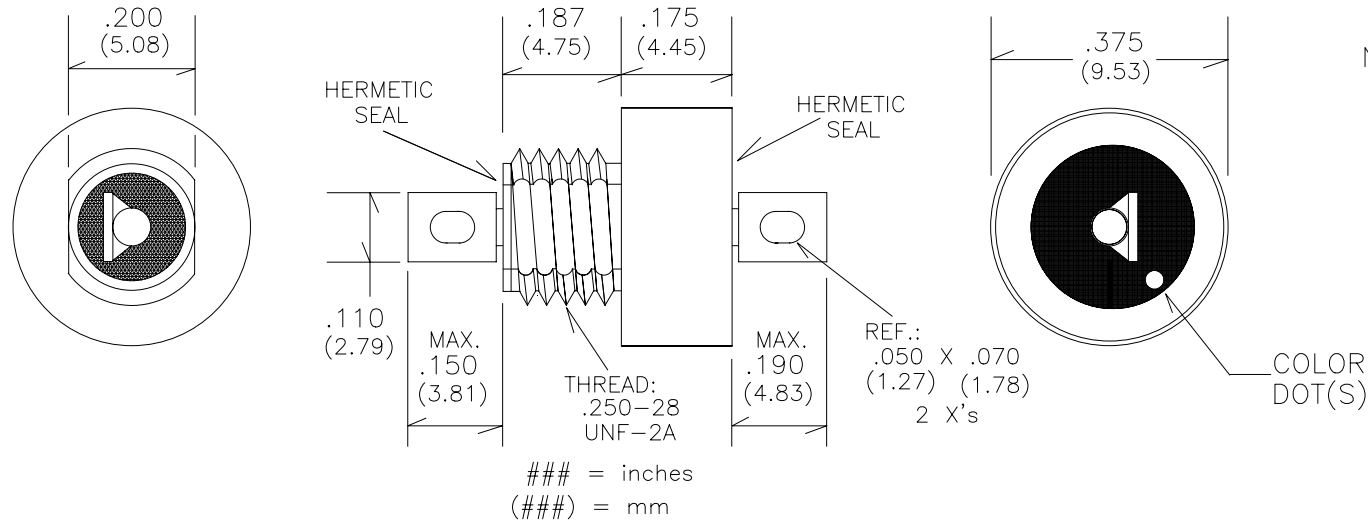
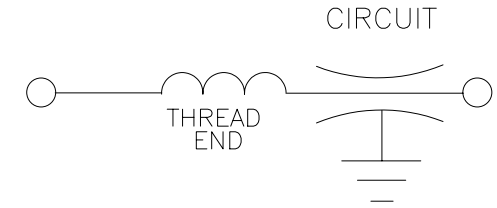
CAPACITANCE TOLERANCE: +100/-0%
 DISSIPATION FACTOR: 3.5% MAX.
 INSULATION RESISTANCE: 25° C=1000 MΩμF
 125° C= 100 MΩμF
 DIELECTRIC STRENGTH (DWV): 250% of WVDC (5 Seconds)
 OPERATING TEMPERATURE: -55° C to +125° C
 TEMPERATURE CHARACTERISTIC: X7R or better
 MARKING: Color Dot standard per chart
 MAXIMUM MOUNTING TORQUE: 7.0 in*lbs
 INSTALLATION TEMPERATURE: N/A

DIMENSION TOLERANCE:
 CASE: +/- .010" (.250mm)
 LEAD LENGTH: +/- .030" (.762mm)
 LEAD DIAMETER: +/- .002" (.051mm)

MATERIAL AND FINISH:
 CASE: C12L14 CRS
 LEAD: Copper (1/2 Hard)
 FINISH: Tin over Nickel

VENDOR: EMI FILTER COMPANY 12750 59th Way N. Clearwater, FL 33760 (727) 585-7990 (727) 586-5138 FAX www.emifiltercompany.com			FILTERS, EMI, HERMETIC 1/4-28 BOLT STYLE, "L" CIRCUIT		
FSCM NO.		DWG NO. KHL154J REVB		REV B	

KHL204F
1/4-28 THREAD NON-HERMETIC
200,000pF Cap. "L" Broadband Filter



NOTE: ATTENUATION EFFECTIVENESS OF INDUCTOR IS LOST IF CURRENT THROUGH FILTER IS GREATER THAN 250 mA

- * ISO 9001:2000 Registered
- * Discoidal Capacitor Construction

PART NUMBER	EMI P/N	CAP. (μF)	MAX. WVDC	DC AMPS	COLOR DOT(S)	MINIMUM NO LOAD INSERTION LOSS				
						100 KHz	1 MHz	10 MHz	100 MHz	1 GHz
KHL204F		0.20	300	15	2 GREEN	8	28	40	55	70

CAPACITANCE TOLERANCE: +100/-0%

DISSIPATION FACTOR: 3.5% MAX.

INSULATION RESISTANCE: 25° C=1000 MΩμF
125° C= 100 MΩμF

DIELECTRIC STRENGTH (DWV): 250% of WVDC (5 Seconds)

OPERATING TEMPERATURE: -55° C to +125° C

TEMPERATURE CHARACTERISTIC: X7R or better

MARKING: Color Dot standard per chart

MAXIMUM MOUNTING TORQUE: 7.0 in*lbs

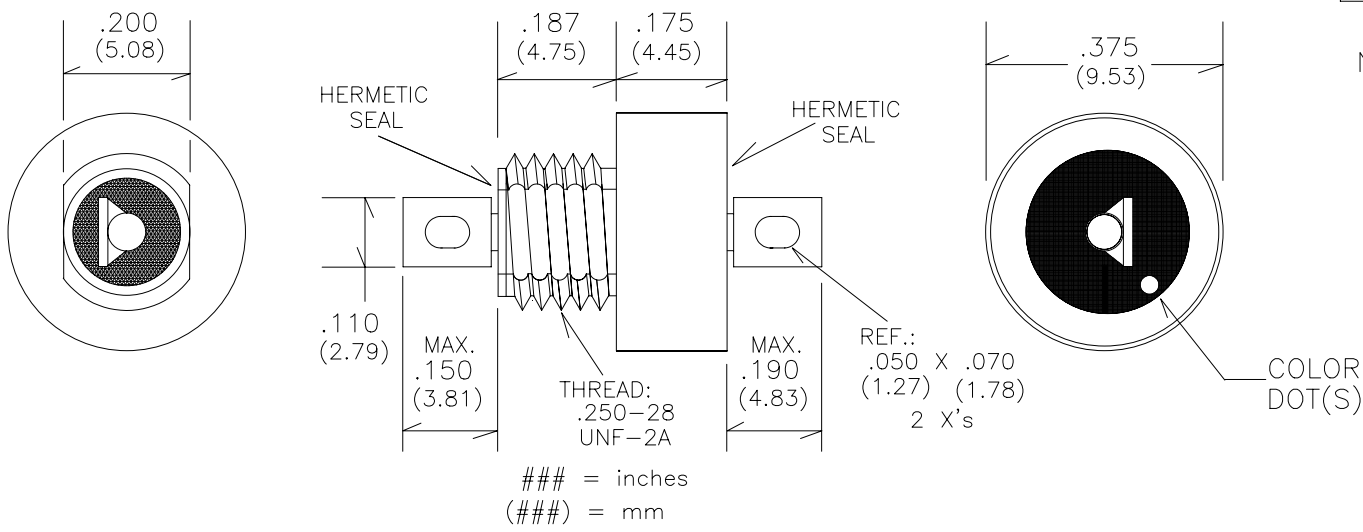
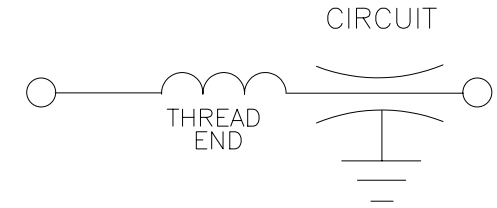
INSTALLATION TEMPERATURE: N/A

DIMENSION TOLERANCE:
CASE: +/- .010" (.250mm)
LEAD LENGTH: +/- .030" (.762mm)
LEAD DIAMETER: +/- .002" (.051mm)

MATERIAL AND FINISH:
CASE: C12L14 CRS
LEAD: Copper (1/2 Hard)
FINISH: Tin over Nickel

VENDOR: EMI FILTER COMPANY 12750 59th Way N. Clearwater, FL 33760 (727) 585-7990 (727) 586-5138 FAX www.emifiltercompany.com			FILTERS, EMI, HERMETIC 1/4-28 BOLT STYLE, "L" CIRCUIT		
FSCM NO.		DWG NO. KHL204F REV B		REV B	

KHL254F
1/4-28 THREAD NON-HERMETIC
250,000pF Cap. "L" Broadband Filter



NOTE: ATTENUATION EFFECTIVENESS OF INDUCTOR IS LOST IF CURRENT THROUGH FILTER IS GREATER THAN 250 mA

* ISO 9001:2000 Registered
* Discoidal Capacitor Construction

PART NUMBER	EMI P/N	CAP. (μF)	MAX. WVDC	DC AMPS	COLOR DOT(S)	MINIMUM NO LOAD INSERTION LOSS				
						100 KHz	1 MHz	10 MHz	100 MHz	1 GHz
KHL254F		0.25	300	15	2 GREEN	10	31	41	56	70

CAPACITANCE TOLERANCE: +100/-0%
DISSIPATION FACTOR: 3.5% MAX.
INSULATION RESISTANCE: 25° C=1000 MΩμF
125° C= 100 MΩμF
DIELECTRIC STRENGTH (DWV): 250% of WVDC (5 Seconds)
OPERATING TEMPERATURE: -55° C to +125° C
TEMPERATURE CHARACTERISTIC: X7R or better
MARKING: Color Dot standard per chart
MAXIMUM MOUNTING TORQUE: 7.0 in*lbs
INSTALLATION TEMPERATURE: N/A

DIMENSION TOLERANCE:
CASE: +/- .010" (.250mm)
LEAD LENGTH: +/- .030" (.762mm)
LEAD DIAMETER: +/- .002" (.051mm)

MATERIAL AND FINISH:
CASE: C12L14 CRS
LEAD: Copper (1/2 Hard)
FINISH: Tin over Nickel

VENDOR: EMI FILTER COMPANY 12750 59th Way N. Clearwater, FL 33760 (727) 585-7990 (727) 586-5138 FAX www.emifiltercompany.com			FILTERS, EMI, HERMETIC 1/4-28 BOLT STYLE, "L" CIRCUIT		
FSCM NO.		DWG NO. KHL254F REV B		REV B	