

### = inches  
 (###) = mm

PART NUMBER	EMI P/N	CAP. (μF)	MAX. WVDC	DC AMPS	COLOR DOT(S)	MINIMUM NO LOAD INSERTION LOSS				
						100 KHz	1 MHz	10 MHz	100 MHz	1 GHz
	KRC103J	0.01	400	15	2 WHITE		6	21	35	50
	KRC503J	0.05	400	15	2 YELLOW		15	34	45	60
	KRC753J	0.075	400	15	3 RED		18	37	46	65
	KRC104J	0.10	400	15	3 WHITE	5	25	38	50	70
	KRC154J	0.15	400	15	3 WHITE	6	26	40	53	70
	KRC254F	0.25	300	15	2 GREEN	10	30	40	55	70

CAPACITANCE TOLERANCE: +100/-0%  
 DISSIPATION FACTOR: 3.5% MAX.

INSULATION RESISTANCE: 25° C=1000 MΩμF Min.  
 125° C= 100 MΩμF Min.

DIELECTRIC STRENGTH (DWV): 250% of WVDC (5 seconds)

OPERATING TEMPERATURE: -55 °C to +125 °C

MARKING: Color Dot standard per chart

MOUNTING TORQUE: 7.0 in\*lbs

DIMENSION TOLERANCE:  
 +/- .010" (.254 mm)  
 AND AS NOTED

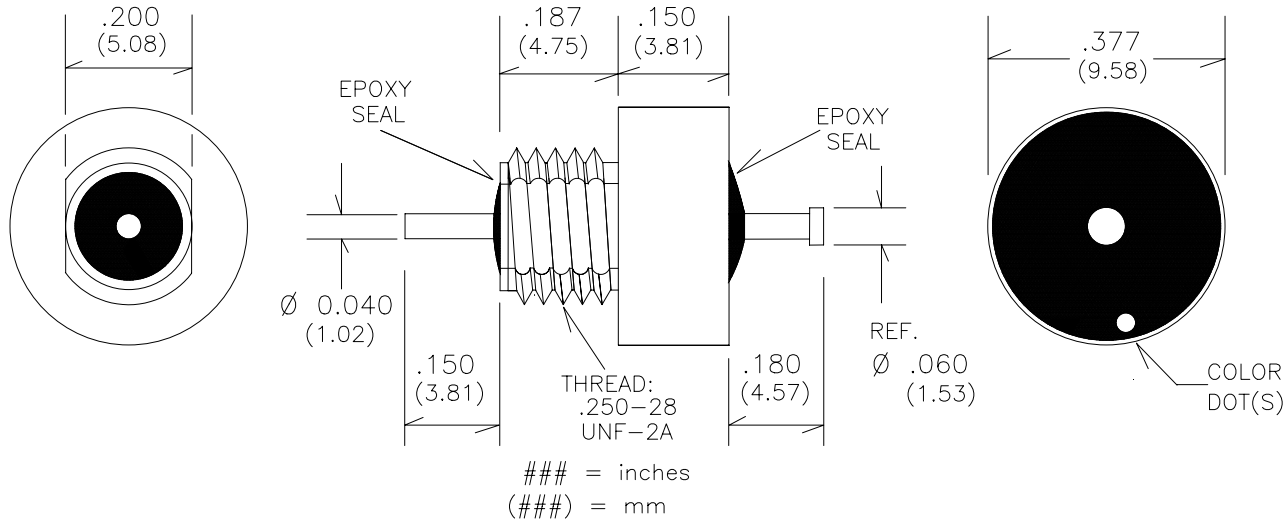
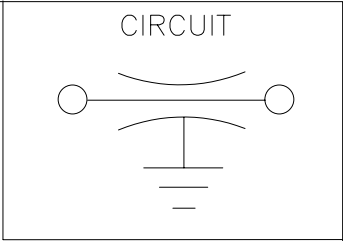
MATERIAL AND FINISH:  
 CASE: C12L14 CRS  
 LEADS: COPPER (1/2 HARD)  
 FINISH: TIN OVER NICKEL

VENDOR:  
 EMI FILTER COMPANY  
 12750 59th Way N.  
 Clearwater, FL 33760  
 (727) 585-7990  
 (727) 586-5138 FAX  
 www.emifiltercompany.com

FILTERS, EMI, EPOXY SEALED,  
 1/4-28 BOLT STYLE, "C" CIRCUIT

FSCM NO.	DWG NO.	REV
	KRCs REVA	A

KRC103J  
 1/4-28 THREAD NON-HERMETIC  
 10,000pF Cap. BROADBAND FILTER



PART NUMBER	EMI P/N	CAP. (µF)	MAX. WVDC	DC AMPS	COLOR DOT(S)	MINIMUM NO LOAD INSERTION LOSS				
						100 KHz	1 MHz	10 MHz	100 MHz	1 GHz
KRC103J		0.01	400	15	2 WHITE	---	6	21	35	50

CAPACITANCE TOLERANCE: +100/-0%  
 DISSIPATION FACTOR: 3.5% MAX.

INSULATION RESISTANCE: 25° C=1000 MΩµF Min.  
 125° C= 100 MΩµF Min.

DIELECTRIC STRENGTH (DWV): 250% of WVDC (5 seconds)

OPERATING TEMPERATURE: -55 °C to +125 °C

MARKING: Color Dot standard per chart

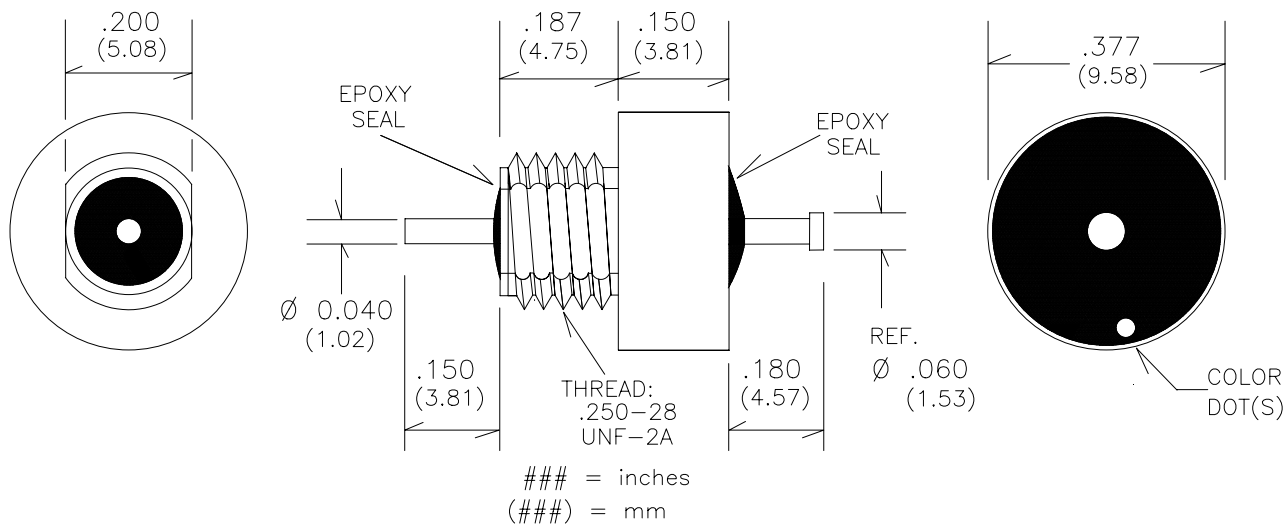
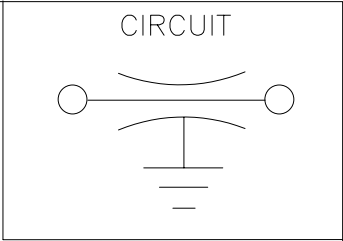
MOUNTING TORQUE: 7.0 in\*lbs

DIMENSION TOLERANCE:  
 +/- .010" (.254 mm)  
 AND AS NOTED

MATERIAL AND FINISH:  
 CASE: C12L14 CRS  
 LEADS: COPPER (1/2 HARD)  
 FINISH: TIN OVER NICKEL

VENDOR: EMI FILTER COMPANY 12750 59th Way N. Clearwater, FL 33760 (727) 585-7990 (727) 586-5138 FAX www.emifiltercompany.com			FILTERS, EMI, EPOXY SEALED, 1/4-28 BOLT STYLE, "C" CIRCUIT		
FSCM NO.		DWG NO. KRC103J REVA		REV A	

KRC503J  
1/4-28 THREAD NON-HERMETIC  
50,000pF Cap. BROADBAND FILTER



PART NUMBER	EMI P/N	CAP. (μF)	MAX. WVDC	DC AMPS	COLOR DOT(S)	MINIMUM NO LOAD INSERTION LOSS				
						100 KHz	1 MHz	10 MHz	100 MHz	1 GHz
KRC503J		.05	400	15	2 YELLOW	---	15	34	45	60

CAPACITANCE TOLERANCE: +100/-0%  
DISSIPATION FACTOR: 3.5% MAX.

INSULATION RESISTANCE: 25° C=1000 MΩμF Min.  
125° C= 100 MΩμF Min.

DIELECTRIC STRENGTH (DWV): 250% of WVDC (5 seconds)

OPERATING TEMPERATURE: -55 °C to +125 °C

MARKING: Color Dot standard per chart

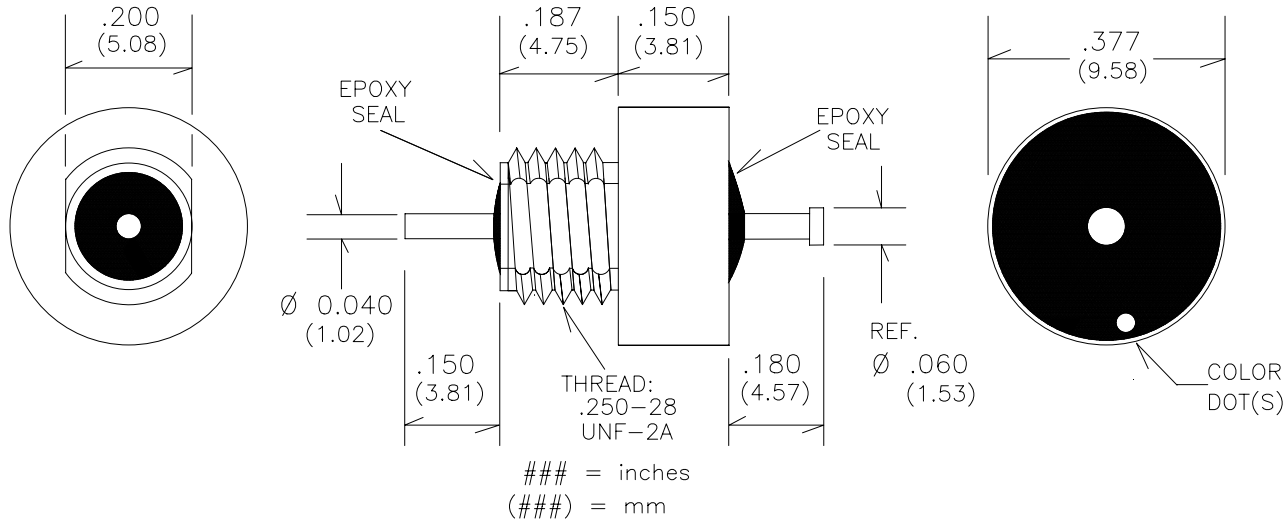
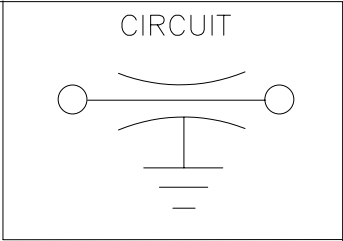
MOUNTING TORQUE: 7.0 in\*lbs

DIMENSION TOLERANCE:  
+/- .010" (.254 mm)  
AND AS NOTED

MATERIAL AND FINISH:  
CASE: C12L14 CRS  
LEADS: COPPER (1/2 HARD)  
FINISH: TIN OVER NICKEL

VENDOR: EMI FILTER COMPANY 12750 59th Way N. Clearwater, FL 33760 (727) 585-7990 (727) 586-5138 FAX www.emifiltercompany.com			FILTERS, EMI, EPOXY SEALED, 1/4-28 BOLT STYLE, "C" CIRCUIT		
FSCM NO.		DWG NO. KRC503J REVA		REV A	

KRC753J  
1/4-28 THREAD NON-HERMETIC  
75,000pF Cap. BROADBAND FILTER



PART NUMBER	EMI P/N	CAP. (μF)	MAX. WVDC	DC AMPS	COLOR DOT(S)	MINIMUM NO LOAD INSERTION LOSS				
						100 KHz	1 MHz	10 MHz	100 MHz	1 GHz
KRC753J		.075	400	15	3 RED	---	18	37	46	65

CAPACITANCE TOLERANCE: +100/-0%  
DISSIPATION FACTOR: 3.5% MAX.

INSULATION RESISTANCE: 25° C=1000 MΩμF Min.  
125° C= 100 MΩμF Min.

DIELECTRIC STRENGTH (DWV): 250% of WVDC (5 seconds)

OPERATING TEMPERATURE: -55 °C to +125 °C

MARKING: Color Dot standard per chart

MOUNTING TORQUE: 7.0 in\*lbs

DIMENSION TOLERANCE:  
+/- .010" (.254 mm)  
AND AS NOTED

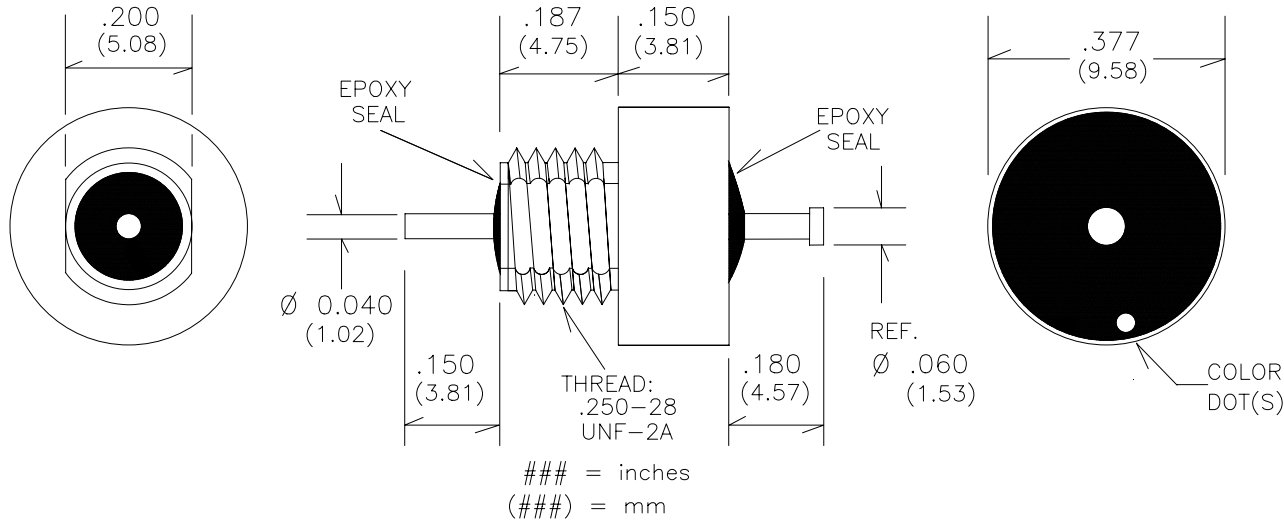
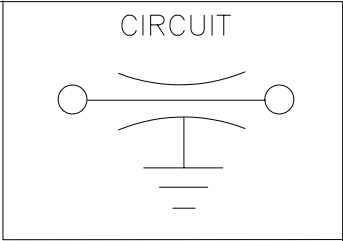
MATERIAL AND FINISH:  
CASE: C12L14 CRS  
LEADS: COPPER (1/2 HARD)  
FINISH: TIN OVER NICKEL

VENDOR:  
EMI FILTER COMPANY  
12750 59th Way N.  
Clearwater, FL 33760  
(727) 585-7990  
(727) 586-5138 FAX  
www.emifiltercompany.com

FILTERS, EMI, EPOXY SEALED,  
1/4-28 BOLT STYLE, "C" CIRCUIT

FSCM NO.	DWG NO. KRC753J REVA	REV A
----------	-------------------------	----------

KRC104J  
1/4-28 THREAD NON-HERMETIC  
100,000pF Cap. BROADBAND FILTER



PART NUMBER	EMI P/N	CAP. (µF)	MAX. WVDC	DC AMPS	COLOR DOT(S)	MINIMUM NO LOAD INSERTION LOSS				
						100 KHz	1 MHz	10 MHz	100 MHz	1 GHz
KRC104J		.10	400	15	3 WHITE	5	25	38	50	70

CAPACITANCE TOLERANCE: +100/-0%  
DISSIPATION FACTOR: 3.5% MAX.

INSULATION RESISTANCE: 25° C=1000 MΩµF Min.  
125° C= 100 MΩµF Min.

DIELECTRIC STRENGTH (DWV): 250% of WVDC (5 seconds)

OPERATING TEMPERATURE: -55 °C to +125 °C

MARKING: Color Dot standard per chart

MOUNTING TORQUE: 7.0 in\*lbs

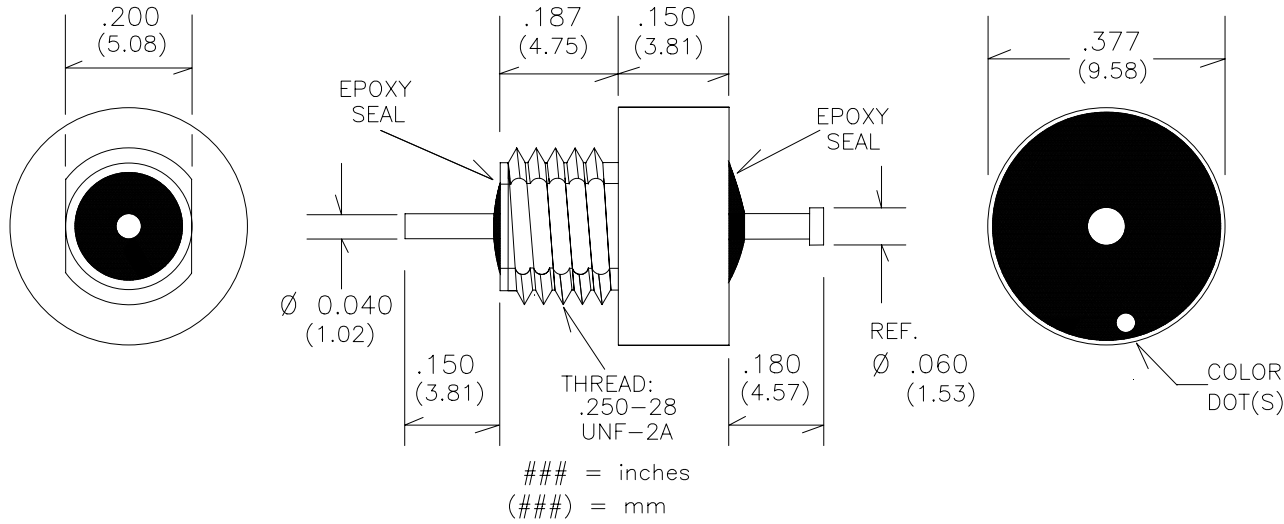
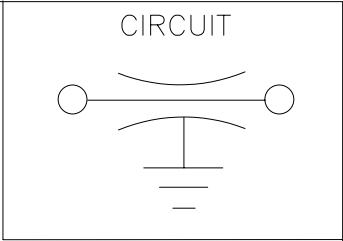
DIMENSION TOLERANCE:  
+/- .010" (.254 mm)  
AND AS NOTED

MATERIAL AND FINISH:  
CASE: C12L14 CRS  
LEADS: COPPER (1/2 HARD)  
FINISH: TIN OVER NICKEL

VENDOR:  
EMI FILTER COMPANY  
12750 59th Way N.  
Clearwater, FL 33760  
(727) 585-7990  
(727) 586-5138 FAX  
www.emifiltercompany.com

FILTERS, EMI, EPOXY SEALED, 1/4-28 BOLT STYLE, "C" CIRCUIT		
FSCM NO.	DWG NO. KRC104J REVA	REV A

KRC154J  
1/4-28 THREAD NON-HERMETIC  
150,000pF Cap. BROADBAND FILTER



PART NUMBER	EMI P/N	CAP. (µF)	MAX. WVDC	DC AMPS	COLOR DOT(S)	MINIMUM NO LOAD INSERTION LOSS				
						100 KHz	1 MHz	10 MHz	100 MHz	1 GHz
KRC154J		.15	400	15	3 WHITE	6	26	40	53	70

CAPACITANCE TOLERANCE: +100/-0%  
DISSIPATION FACTOR: 3.5% MAX.

INSULATION RESISTANCE: 25° C=1000 MΩµF Min.  
125° C= 100 MΩµF Min.

DIELECTRIC STRENGTH (DWV): 250% of WVDC (5 seconds)

OPERATING TEMPERATURE: -55 °C to +125 °C

MARKING: Color Dot standard per chart

MOUNTING TORQUE: 7.0 in\*lbs

DIMENSION TOLERANCE:  
+/- .010" (.254 mm)  
AND AS NOTED

MATERIAL AND FINISH:

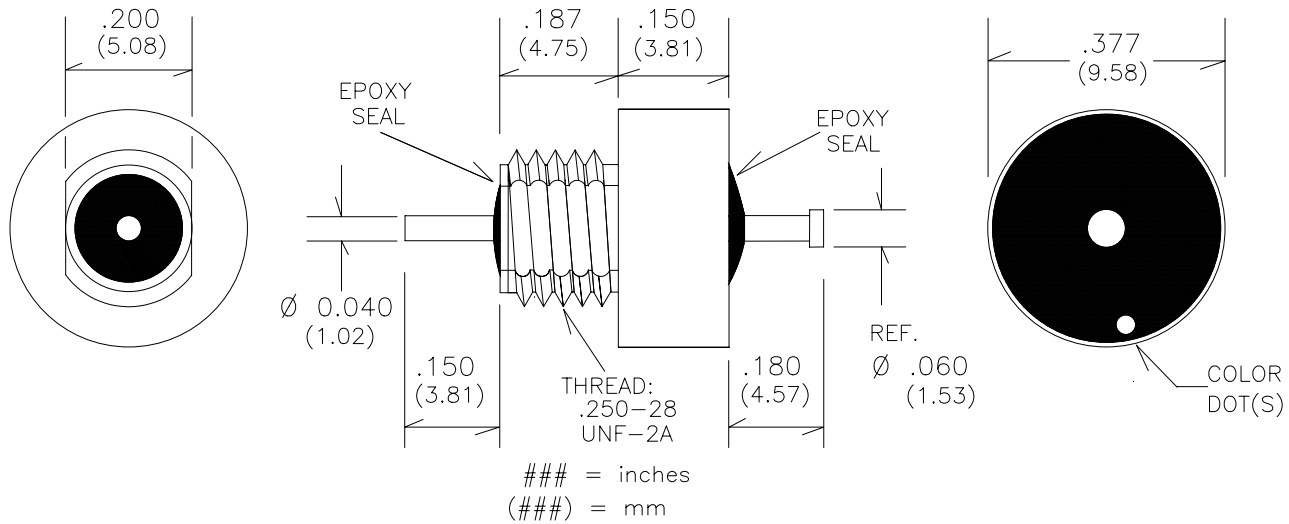
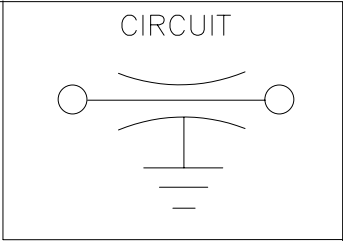
CASE: C12L14 CRS  
LEADS: COPPER (1/2 HARD)  
FINISH: TIN OVER NICKEL

VENDOR:  
EMI FILTER COMPANY  
12750 59th Way N.  
Clearwater, FL 33760  
(727) 585-7990  
(727) 586-5138 FAX  
www.emifiltercompany.com

FILTERS, EMI, EPOXY SEALED,  
1/4-28 BOLT STYLE, "C" CIRCUIT

FSCM NO.	DWG NO.	REV
	KRC154J REVA	A

KRC254F  
1/4-28 THREAD NON-HERMETIC  
250,000pF Cap. BROADBAND FILTER



PART NUMBER	EMI P/N	CAP. ( $\mu$ F)	MAX. WVDC	DC AMPS	COLOR DOT(S)	MINIMUM NO LOAD INSERTION LOSS				
						100 KHz	1 MHz	10 MHz	100 MHz	1 GHz
KRC254F		.25	300	15	3 WHITE	10	30	40	55	70

CAPACITANCE TOLERANCE: +100/-0%  
DISSIPATION FACTOR: 3.5% MAX.

INSULATION RESISTANCE: 25<sup>o</sup> C=1000 M $\Omega$  $\mu$ F Min.  
125<sup>o</sup> C= 100 M $\Omega$  $\mu$ F Min.

DIELECTRIC STRENGTH (DWV): 250% of WVDC (5 seconds)

OPERATING TEMPERATURE: -55 <sup>o</sup>C to +125 <sup>o</sup>C

MARKING: Color Dot standard per chart

MOUNTING TORQUE: 7.0 in\*lbs

DIMENSION TOLERANCE:  
+/- .010" (.254 mm)  
AND AS NOTED

MATERIAL AND FINISH:  
CASE: C12L14 CRS  
LEADS: COPPER (1/2 HARD)  
FINISH: TIN OVER NICKEL

VENDOR:  
EMI FILTER COMPANY  
12750 59th Way N.  
Clearwater, FL 33760  
(727) 585-7990  
(727) 586-5138 FAX  
www.emifiltercompany.com

FILTERS, EMI, EPOXY SEALED,  
1/4-28 BOLT STYLE, "C" CIRCUIT

FSCM NO.	DWG NO. KRC254F REVA	REV A
----------	-------------------------	----------