

= inches
 (###) = mm

* ISO 9001:2008 Registered
 * Discoidal Capacitor Construction

PART NUMBER	EMI P/N	CAP. (µF)	MAX. WVDC	DC AMPS	COLOR DOT(S)	MINIMUM NO LOAD INSERTION LOSS				
						100 KHz	1 MHz	10 MHz	100 MHz	1 GHz
	KRC103J	0.01	400	20	2 WHITE		6	21	35	50
	KRC503J	0.05	400	20	2 YELLOW		15	34	45	60
	KRC753J	0.075	400	20	3 RED		18	37	46	65
	KRC104J	0.10	400	20	3 WHITE	5	25	38	50	70
	KRC154J	0.15	400	20	3 WHITE	6	26	40	53	70
	KRC254F	0.25	300	20	2 GREEN	10	30	40	55	70
	KRC504B	0.50	100	20	Green, Black, Yellow	15	34	43	60	70

CAPACITANCE TOLERANCE: +100/-0%

DISSIPATION FACTOR: 3.5% MAX.

INSULATION RESISTANCE: 25° C=10,000 Mohm Min.
 125° C= 1,000 Mohm Min.

DIELECTRIC STRENGTH (DWV): 250% of WVDC (5 Seconds)

OPERATING TEMPERATURE: -55° C to +125° C

TEMPERATURE CHARACTERISTIC: X7R or better

MARKING: Color Dot standard per chart

MAXIMUM MOUNTING TORQUE: 7.0 in*lbs

INSTALLATION TEMPERATURE: N/A

DIMENSION TOLERANCE:

CASE: +/- .010" (.250mm)

LEAD LENGTH: +/- .030" (.762mm)

LEAD DIAMETER: +/- .002" (.051mm)

MATERIAL AND FINISH:

CASE: C12L14 CRS

FINISH: Tin over Nickel

LEAD: Copper (1/2 Hard)

FINISH: Silver

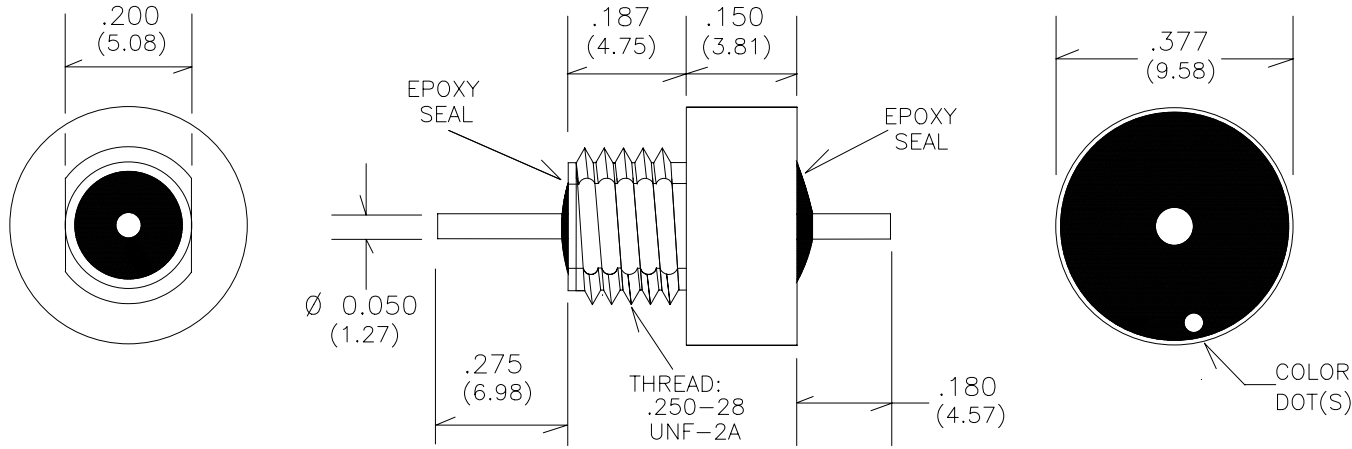
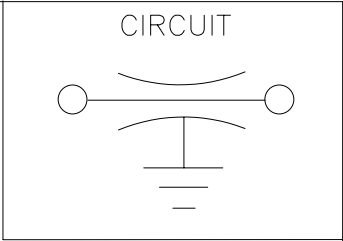
VENDOR:

EMI FILTER COMPANY
 12750 59th Way N.
 Clearwater, FL 33760
 (727) 585-7990
 (727) 586-5138 FAX
 www.emifiltercompany.com

FILTERS, EMI, EPOXY SEALED,
 1/4-28 BOLT STYLE, "C" CIRCUIT

FSCM NO.	DWG NO.	REV
	KRCs REVC	C

KRC103J
1/4-28 THREAD NON-HERMETIC
10,000pF Cap. BROADBAND FILTER



* ISO 9001:2008 Registered
* Discoidal Capacitor Construction

= inches
(###) = mm

PART NUMBER	EMI P/N	CAP. (µF)	MAX. WVDC	DC AMPS	COLOR DOT(S)	MINIMUM NO LOAD INSERTION LOSS				
						100 KHz	1 MHz	10 MHz	100 MHz	1 GHz
KRC103J		0.01	400	20	2 WHITE	---	6	21	35	50

CAPACITANCE TOLERANCE: +100/-0%

DISSIPATION FACTOR: 3.5% MAX.

INSULATION RESISTANCE: 25° C=10,000 Mohm Min.
125° C= 1,000 Mohm Min.

DIELECTRIC STRENGTH (DWV): 250% of WVDC (5 Seconds)

OPERATING TEMPERATURE: -55° C to +125° C

TEMPERATURE CHARACTERISTIC: X7R or better

MARKING: Color Dot standard per chart

MAXIMUM MOUNTING TORQUE: 7.0 in*lbs

INSTALLATION TEMPERATURE: N/A

DIMENSION TOLERANCE:

CASE: +/- .010" (.250mm)

LEAD LENGTH: +/- .030" (.762mm)

LEAD DIAMETER: +/- .002" (.051mm)

MATERIAL AND FINISH:

CASE: C12L14 CRS

FINISH: Tin over Nickel

LEAD: Copper (1/2 Hard)

FINISH: Silver

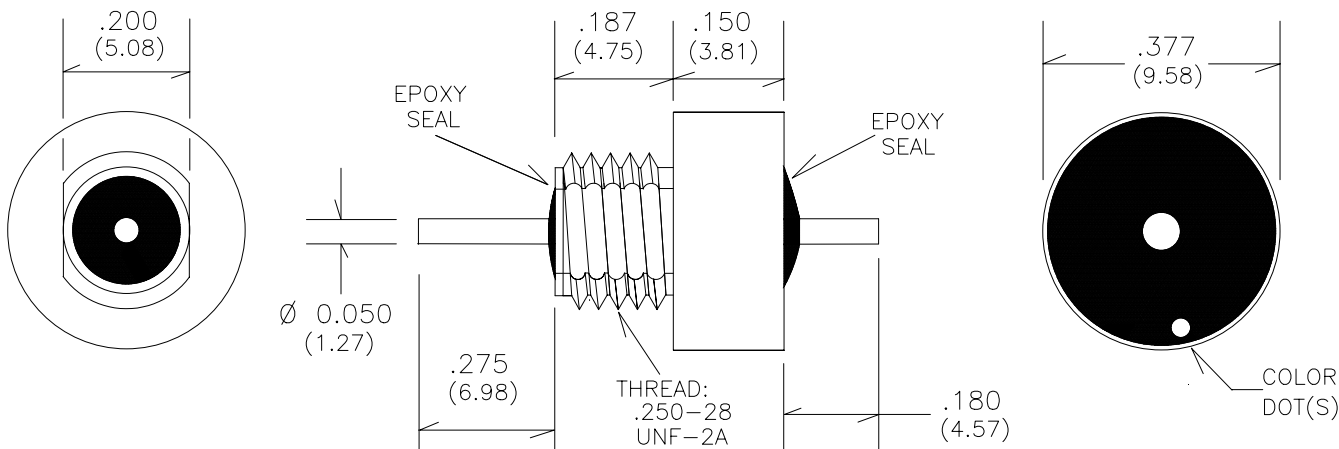
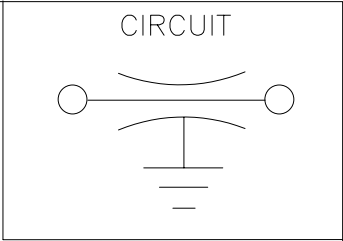
VENDOR:

EMI FILTER COMPANY
12750 59th Way N.
Clearwater, FL 33760
(727) 585-7990
(727) 586-5138 FAX
www.emifiltercompany.com

FILTERS, EMI, EPOXY SEALED,
1/4-28 BOLT STYLE, "C" CIRCUIT

FSCM NO.	DWG NO.	REV
	KRC103J REVC	C

KRC503J
1/4-28 THREAD NON-HERMETIC
50,000pF Cap. BROADBAND FILTER



- * ISO 9001:2008 Registered
- * Discoidal Capacitor Construction

= inches
(###) = mm

PART NUMBER	EMI P/N	CAP. (µF)	MAX. WVDC	DC AMPS	COLOR DOT(S)	MINIMUM NO LOAD INSERTION LOSS				
						100 KHz	1 MHz	10 MHz	100 MHz	1 GHz
KRC503J		.05	400	20	2 YELLOW	---	15	34	45	60

CAPACITANCE TOLERANCE: +100/-0%

DISSIPATION FACTOR: 3.5% MAX.

INSULATION RESISTANCE: 25° C=10,000 Mohm Min.
125° C= 1,000 Mohm Min.

DIELECTRIC STRENGTH (DWV): 250% of WVDC (5 Seconds)

OPERATING TEMPERATURE: -55° C to +125° C

TEMPERATURE CHARACTERISTIC: X7R or better

MARKING: Color Dot standard per chart

MAXIMUM MOUNTING TORQUE: 7.0 in*lbs

INSTALLATION TEMPERATURE: N/A

DIMENSION TOLERANCE:

CASE: +/- .010" (.250mm)

LEAD LENGTH: +/- .030" (.762mm)

LEAD DIAMETER: +/- .002" (.051mm)

MATERIAL AND FINISH:

CASE: C12L14 CRS

FINISH: Tin over Nickel

LEAD: Copper (1/2 Hard)

FINISH: Silver

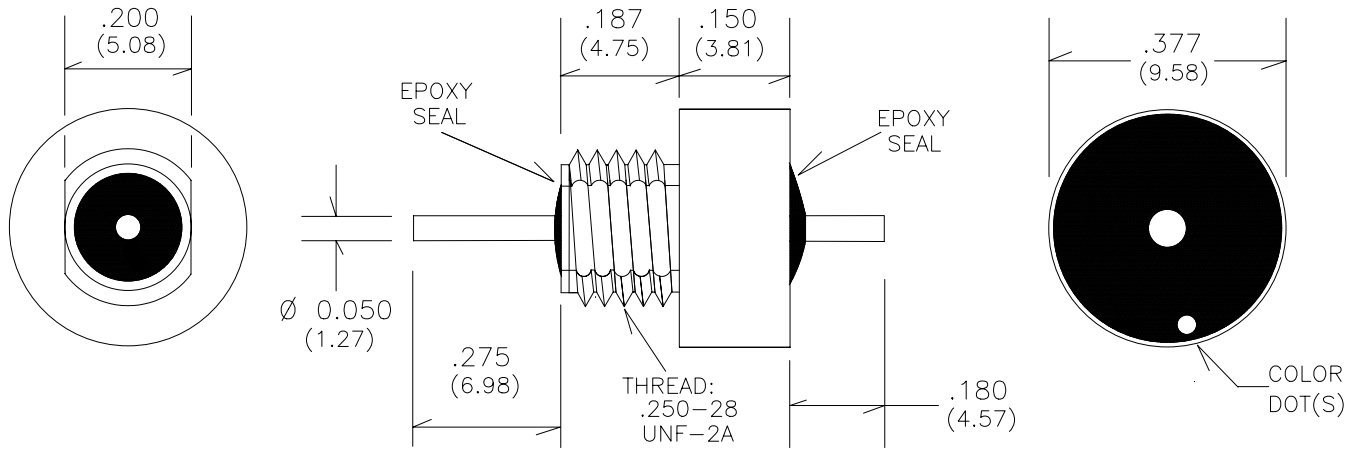
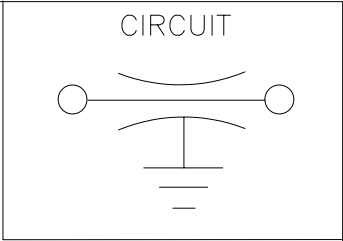
VENDOR:

EMI FILTER COMPANY
12750 59th Way N.
Clearwater, FL 33760
(727) 585-7990
(727) 586-5138 FAX
www.emifiltercompany.com

FILTERS, EMI, EPOXY SEALED,
1/4-28 BOLT STYLE, "C" CIRCUIT

FSCM NO.	DWG NO.	REV
	KRC503J REVC	C

KRC753J
1/4-28 THREAD NON-HERMETIC
75,000pF Cap. BROADBAND FILTER



* ISO 9001:2008 Registered
* Discoidal Capacitor Construction

= inches
(###) = mm

PART NUMBER	EMI P/N	CAP. (μ F)	MAX. WVDC	DC AMPS	COLOR DOT(S)	MINIMUM NO LOAD INSERTION LOSS				
						100 KHz	1 MHz	10 MHz	100 MHz	1 GHz
KRC753J		.075	400	20	3 RED	---	18	37	46	65

CAPACITANCE TOLERANCE: +100/-0%

DISSIPATION FACTOR: 3.5% MAX.

INSULATION RESISTANCE: 25^o C=10,000 Mohm Min.
125^o C= 1,000 Mohm Min.

DIELECTRIC STRENGTH (DWV): 250% of WVDC (5 Seconds)

OPERATING TEMPERATURE: -55^o C to +125^o C

TEMPERATURE CHARACTERISTIC: X7R or better

MARKING: Color Dot standard per chart

MAXIMUM MOUNTING TORQUE: 7.0 in*lbs

INSTALLATION TEMPERATURE: N/A

DIMENSION TOLERANCE:

CASE: +/- .010" (.250mm)

LEAD LENGTH: +/- .030" (.762mm)

LEAD DIAMETER: +/- .002" (.051mm)

MATERIAL AND FINISH:

CASE: C12L14 CRS

FINISH: Tin over Nickel

LEAD: Copper (1/2 Hard)

FINISH: Silver

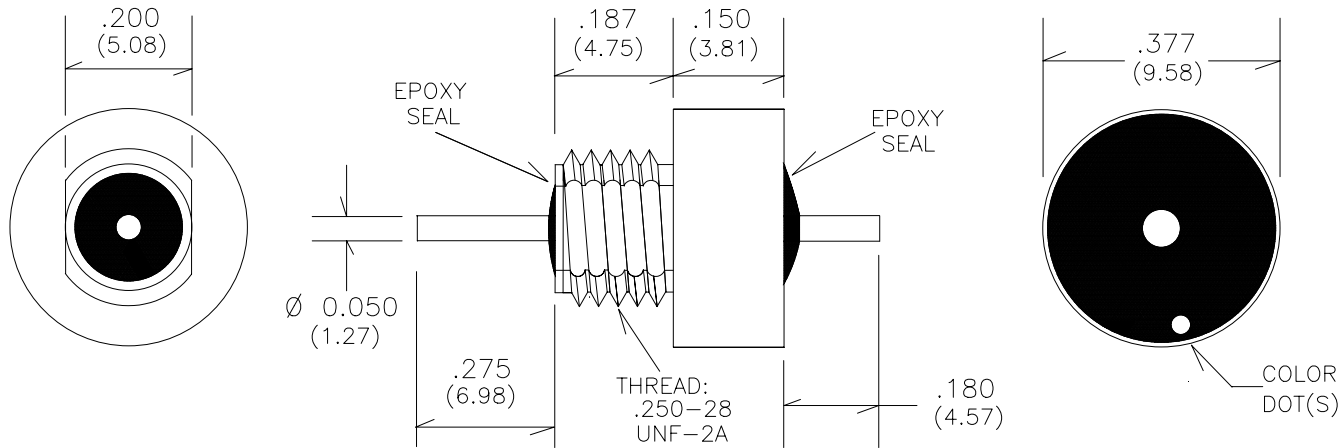
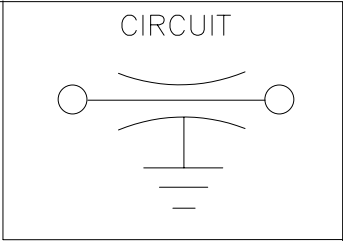
VENDOR:

EMI FILTER COMPANY
12750 59th Way N.
Clearwater, FL 33760
(727) 585-7990
(727) 586-5138 FAX
www.emifiltercompany.com

FILTERS, EMI, EPOXY SEALED,
1/4-28 BOLT STYLE, "C" CIRCUIT

FSCM NO.	DWG NO.	REV
	KRC753J REVC	C

KRC104J
1/4-28 THREAD NON-HERMETIC
100,000pF Cap. BROADBAND FILTER



= inches
(###) = mm

- * ISO 9001:2008 Registered
- * Discoidal Capacitor Construction

PART NUMBER	EMI P/N	CAP. (μ F)	MAX. WVDC	DC AMPS	COLOR DOT(S)	MINIMUM NO LOAD INSERTION LOSS				
						100 KHz	1 MHz	10 MHz	100 MHz	1 GHz
KRC104J		.10	400	20	3 WHITE	5	25	38	50	70

CAPACITANCE TOLERANCE: +100/-0%

DISSIPATION FACTOR: 3.5% MAX.

INSULATION RESISTANCE: 25^o C=10,000 Mohm Min.
125^o C= 1,000 Mohm Min.

DIELECTRIC STRENGTH (DWV): 250% of WVDC (5 Seconds)

OPERATING TEMPERATURE: -55^o C to +125^o C

TEMPERATURE CHARACTERISTIC: X7R or better

MARKING: Color Dot standard per chart

MAXIMUM MOUNTING TORQUE: 7.0 in*lbs

INSTALLATION TEMPERATURE: N/A

DIMENSION TOLERANCE:

CASE: +/- .010" (.250mm)

LEAD LENGTH: +/- .030" (.762mm)

LEAD DIAMETER: +/- .002" (.051mm)

MATERIAL AND FINISH:

CASE: C12L14 CRS

FINISH: Tin over Nickel

LEAD: Copper (1/2 Hard)

FINISH: Silver

VENDOR:

EMI FILTER COMPANY

12750 59th Way N.

Clearwater, FL 33760

(727) 585-7990

(727) 586-5138 FAX

www.emifiltercompany.com

FILTERS, EMI, EPOXY SEALED,
1/4-28 BOLT STYLE, "C" CIRCUIT

FSCM NO.

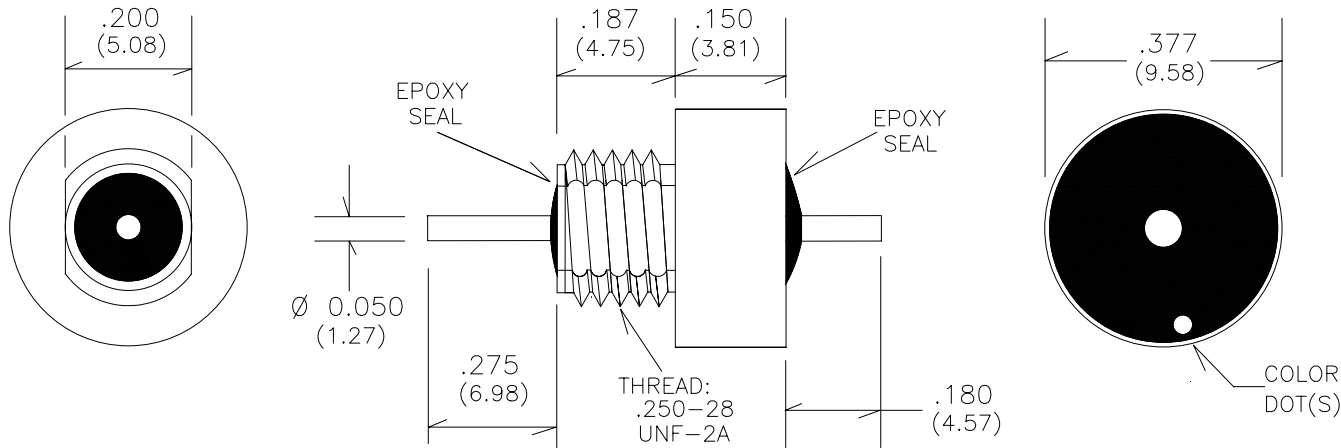
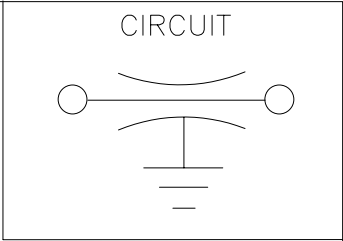
DWG NO.

KRC104J REVC

REV

C

KRC154J
1/4-28 THREAD NON-HERMETIC
150,000pF Cap. BROADBAND FILTER



- * ISO 9001:2008 Registered
- * Discoidal Capacitor Construction

= inches
(###) = mm

PART NUMBER	EMI P/N	CAP. (µF)	MAX. WVDC	DC AMPS	COLOR DOT(S)	MINIMUM NO LOAD INSERTION LOSS				
						100 KHz	1 MHz	10 MHz	100 MHz	1 GHz
KRC154J		.15	400	20	3 WHITE	6	26	40	53	70

CAPACITANCE TOLERANCE: +100/-0%

DISSIPATION FACTOR: 3.5% MAX.

INSULATION RESISTANCE: 25° C=10,000 Mohm Min.
125° C= 1,000 Mohm Min.

DIELECTRIC STRENGTH (DWV): 250% of WVDC (5 Seconds)

OPERATING TEMPERATURE: -55° C to +125° C

TEMPERATURE CHARACTERISTIC: X7R or better

MARKING: Color Dot standard per chart

MAXIMUM MOUNTING TORQUE: 7.0 in*lbs

INSTALLATION TEMPERATURE: N/A

DIMENSION TOLERANCE:

CASE: +/- .010" (.250mm)

LEAD LENGTH: +/- .030" (.762mm)

LEAD DIAMETER: +/- .002" (.051mm)

MATERIAL AND FINISH:

CASE: C12L14 CRS

FINISH: Tin over Nickel

LEAD: Copper (1/2 Hard)

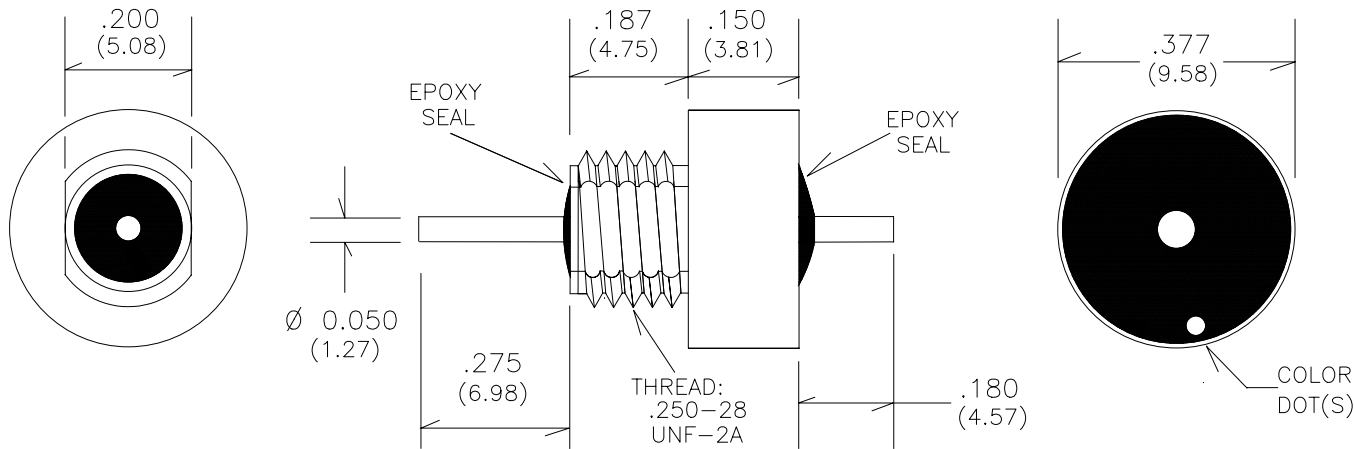
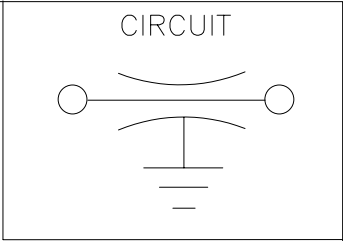
FINISH: Silver

VENDOR:
EMI FILTER COMPANY
12750 59th Way N.
Clearwater, FL 33760
(727) 585-7990
(727) 586-5138 FAX
www.emifiltercompany.com

FILTERS, EMI, EPOXY SEALED,
1/4-28 BOLT STYLE, "C" CIRCUIT

FSCM NO.	DWG NO.	REV
	KRC154J REVC	C

KRC254F
1/4-28 THREAD NON-HERMETIC
250,000pF Cap. BROADBAND FILTER



* ISO 9001:2008 Registered
* Discoidal Capacitor Construction

= inches
(###) = mm

PART NUMBER	EMI P/N	CAP. (μ F)	MAX. WVDC	DC AMPS	COLOR DOT(S)	MINIMUM NO LOAD INSERTION LOSS				
						100 KHz	1 MHz	10 MHz	100 MHz	1 GHz
KRC254F		.25	300	20	3 WHITE	10	30	40	55	70

CAPACITANCE TOLERANCE: +100/-0%

DISSIPATION FACTOR: 3.5% MAX.

INSULATION RESISTANCE: 25° C=10,000 Mohm Min.
125° C= 1,000 Mohm Min.

DIELECTRIC STRENGTH (DWV): 250% of WVDC (5 Seconds)

OPERATING TEMPERATURE: -55° C to +125° C

TEMPERATURE CHARACTERISTIC: X7R or better

MARKING: Color Dot standard per chart

MAXIMUM MOUNTING TORQUE: 7.0 in*lbs

INSTALLATION TEMPERATURE: N/A

DIMENSION TOLERANCE:

CASE: +/- .010" (.250mm)

LEAD LENGTH: +/- .030" (.762mm)

LEAD DIAMETER: +/- .002" (.051mm)

MATERIAL AND FINISH:

CASE: C12L14 CRS

FINISH: Tin over Nickel

LEAD: Copper (1/2 Hard)

FINISH: Silver

VENDOR:

EMI FILTER COMPANY
12750 59th Way N.
Clearwater, FL 33760
(727) 585-7990
(727) 586-5138 FAX
www.emifiltercompany.com

FILTERS, EMI, EPOXY SEALED,
1/4-28 BOLT STYLE, "C" CIRCUIT

FSCM NO.	DWG NO.	REV
	KRC254F REVC	C