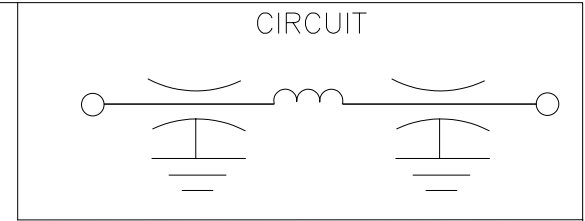
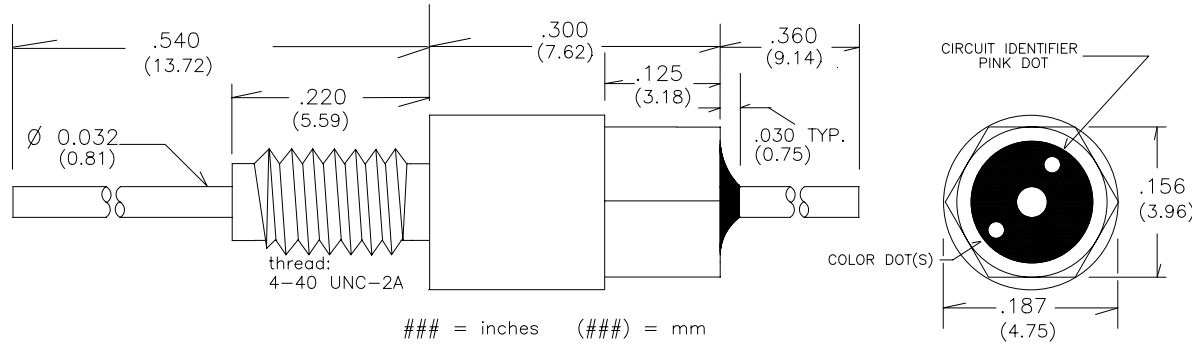


- * RoHS Compliant
- * ISO 9001:2000 Registered
- * Discoidal Capacitor Construction

T4P204A
TALL HEAD 4-40
200,000pF Cap. "Pi" Feed-Thru



NOTE: ATTENUATION EFFECTIVENESS OF INDUCTOR IS LOST IF CURRENT THROUGH THE FILTER IS GREATER THAN 250 mA



PART NUMBER	EMI P/N	CAP. (pF)	COLOR DOT(S)	MAX. WVDC	DC AMPS	MINIMUM NO LOAD INSERTION LOSS				
						100 KHz	1 MHz	10 MHz	100 MHz	1 GHz
T4P204A		200,000	2 GREEN	50	10	18	32	80	85	90

ELECTRICAL

CAPACITANCE TOLERANCE: +100/-0%
DISSIPATION FACTOR: 3.5% MAX.
INSULATION RESISTANCE:
25 °C=1000 MΩμ F Min.
125° C=100 MΩμ F Min.
DIELECTRIC STRENGTH (DWV):
250% of WVDC (5 seconds)
TEMPERATURE CHARACTERISTIC:
X7R or better

PHYSICAL

DIMENSION TOLERANCE:
CASE LENGTH: +/- .010" (.250mm)
LEAD LENGTH: +/- .030" (.762mm)
LEAD DIAMETER: +/- .002" (.051mm)
MATERIAL AND FINISH:
CASE: C12L14 CRS
LEAD: Copper (1/2 Hard)
FINISH: Silver per QQ-S-365

IDENTIFICATION & LIMITS

MARKING: Color Dot standard per chart
OPERATING TEMP: -55° C to +125° C
INSTALLATION TEMP: N/A
MAXIMUM MOUNTING TORQUE: 2.0 in*lbs

VENDOR: EMI Filter Company 12750 59th Way N. Clearwater, FL 33760 (727) 585-7990 (727) 586-5138 Fax www.emifiltercompany.com		FILTERS, EMI, TALL HEAD, "Pi" CIRCUIT 4-40 THREADED BODY		
FSCM NO.	DWG NO. T4P204A REVB	REV B		