

NOTE: ATTENUATION EFFECTIVENESS OF INDUCTOR IS LOST IF CURRENT THROUGH THE FILTER IS GREATER THAN 250 mA

- * RoHS Compliant
- * ISO 9001:2000 Registered
- * Discoidal Capacitor Construction

PART NUMBER	EMI P/N	CAP. (pF)	COLOR DOT(S)	MAX. WVDC	DC AMPS	MINIMUM NO LOAD INSERTION LOSS				
						100 KHz	1 MHz	10 MHz	100 MHz	1 GHz
	T4P152D	1500	WHITE	200	10		4	13	56	83
	T4P502D	5000	YELLOW	200	10	4	7	22	66	85
	T4P103D	10,000	2 WHITE	200	10	4	10	32	78	81
	T4P303B	30,000	2 RED	100	10	6	16	50	85	85
	T4P503B	50,000	2 YELLOW	100	10	10	20	64	88	88
	T4P104A	100,000	3 WHITE	50	10	14	27	73	85	85
	T4P204A	200,000	2 GREEN	50	10	18	32	80	85	90

CAPACITANCE TOLERANCE: +100/-0%
 DISSIPATION FACTOR: 3.5% MAX.
 INSULATION RESISTANCE: 25° C=1000 MΩμF
 125° C= 100 MΩμF
 DIELECTRIC STRENGTH (DWV): 250% of WVDC (5 Seconds)
 OPERATING TEMPERATURE: -55° C to +125° C
 TEMPERATURE CHARACTERISTIC: X7R or better
 MARKING: Color Dot standard per chart
 MAXIMUM MOUNTING TORQUE: 2.0 in*lbs
 INSTALLATION TEMPERATURE: N/A

DIMENSION TOLERANCE:
 CASE: +/- .010" (.250mm)
 LEAD LENGTH: +/- .030" (.762mm)
 LEAD DIAMETER: +/- .002" (.051mm)

MATERIAL AND FINISH:
 CASE: C12L14 CRS
 LEAD: Copper (1/2 Hard)
 FINISH: Silver per QQ-S-365

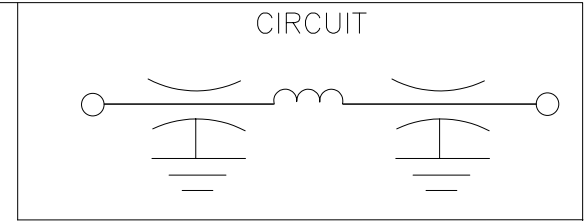
VENDOR:
 EMI Filter Company
 12750 59th Way N.
 Clearwater, FL 33760
 (727) 585-7990
 (727) 586-5138 Fax
 www.emifiltercompany.com

FILTERS, EMI, TALL HEAD, "Pi" CIRCUIT
 4-40 THREADED BODY

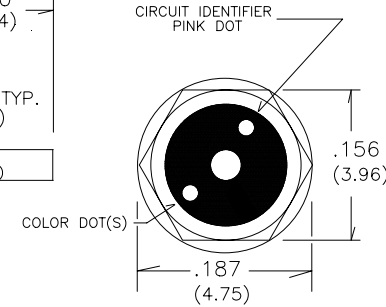
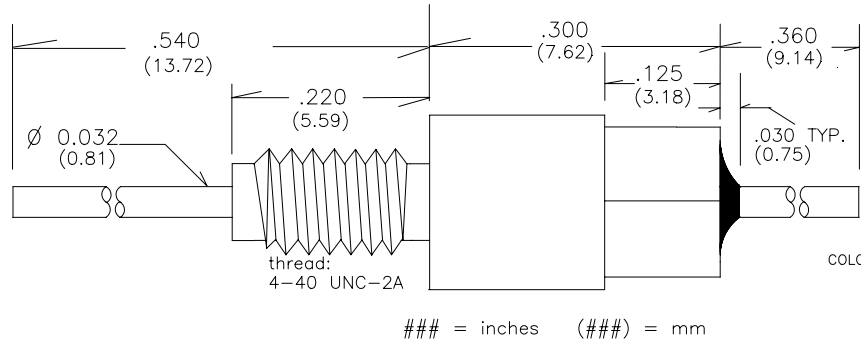
FSCM NO.	DWG NO. T4Ps REV B	REV B
----------	-----------------------	----------

- * RoHS Compliant
- * ISO 9001:2000 Registered
- * Discoidal Capacitor Construction

T4P152D
TALL HEAD 4-40
1,500pF Cap. "Pi" Feed-Thru



NOTE: ATTENUATION EFFECTIVENESS OF INDUCTOR IS LOST IF CURRENT THROUGH THE FILTER IS GREATER THAN 250 mA



PART NUMBER	EMI P/N	CAP. (pF)	COLOR DOT(S)	MAX. WVDC	DC AMPS	MINIMUM NO LOAD INSERTION LOSS				
						100 KHz	1 MHz	10 MHz	100 MHz	1 GHz
T4P152D		1500	WHITE	200	10	---	4	13	56	83

ELECTRICAL

CAPACITANCE TOLERANCE: +100/-0%
 DISSIPATION FACTOR: 3.5% MAX.
 INSULATION RESISTANCE:
 25 °C=1000 MΩ μ F Min.
 125° C=100 MΩ μ F Min.
 DIELECTRIC STRENGTH (DWV):
 250% of WVDC (5 seconds)
 TEMPERATURE CHARACTERISTIC:
 X7R or better

PHYSICAL

DIMENSION TOLERANCE:
 CASE LENGTH: +/- .010" (.250mm)
 LEAD LENGTH: +/- .030" (.762mm)
 LEAD DIAMETER: +/- .002" (.051mm)
 MATERIAL AND FINISH:
 CASE: C12L14 CRS
 LEAD: Copper (1/2 Hard)
 FINISH: Silver per QQ-S-365

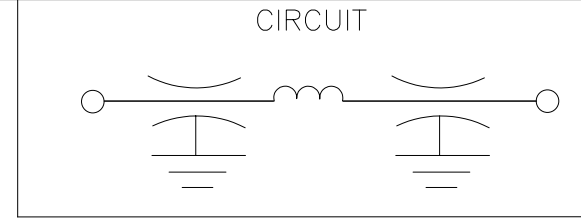
IDENTIFICATION & LIMITS

MARKING: Color Dot standard per chart
 OPERATING TEMP: -55 ° C to +125 ° C
 INSTALLATION TEMP: N/A
 MAXIMUM MOUNTING TORQUE: 2.0 in*lbs

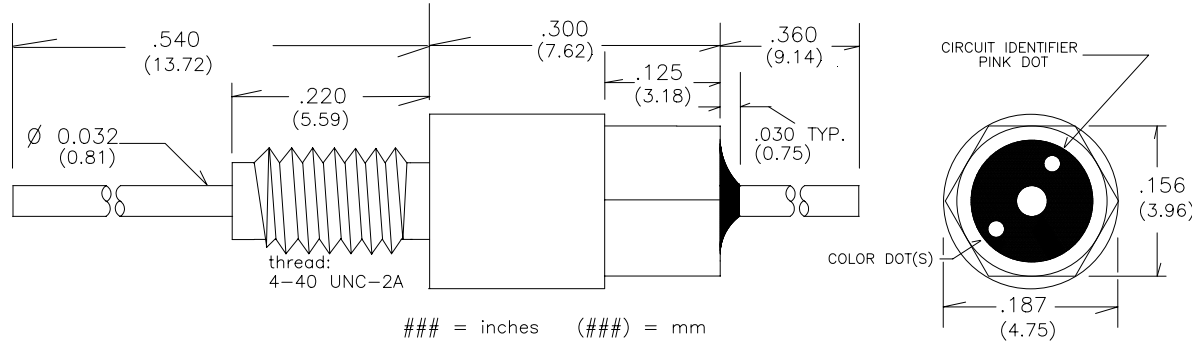
VENDOR: EMI Filter Company 12750 59th Way N. Clearwater, FL 33760 (727) 585-7990 (727) 586-5138 Fax www.emifiltercompany.com		FILTERS, EMI, TALL HEAD, "Pi" CIRCUIT 4-40 THREADED BODY		
FSCM NO.	DWG NO. T4P152D	REVB	REV B	

- * RoHS Compliant
- * ISO 9001:2000 Registered
- * Discoidal Capacitor Construction

T4P502D
TALL HEAD 4-40
5,000pF Cap. "Pi" Feed-Thru



NOTE: ATTENUATION EFFECTIVENESS OF INDUCTOR IS LOST IF CURRENT THROUGH THE FILTER IS GREATER THAN 250 mA



PART NUMBER	EMI P/N	CAP. (pF)	COLOR DOT(S)	MAX. WVDC	DC AMPS	MINIMUM NO LOAD INSERTION LOSS				
						100 KHz	1 MHz	10 MHz	100 MHz	1 GHz
T4P502D		5,000	YELLOW	200	10	4	7	22	66	85

ELECTRICAL

CAPACITANCE TOLERANCE: +100/-0%
 DISSIPATION FACTOR: 3.5% MAX.
 INSULATION RESISTANCE:
 25 °C=1000 MΩμ F Min.
 125° C=100 MΩμ F Min.
 DIELECTRIC STRENGTH (DWV):
 250% of WVDC (5 seconds)
 TEMPERATURE CHARACTERISTIC:
 X7R or better

PHYSICAL

DIMENSION TOLERANCE:
 CASE LENGTH: +/- .010" (.250mm)
 LEAD LENGTH: +/- .030" (.762mm)
 LEAD DIAMETER: +/- .002" (.051mm)
 MATERIAL AND FINISH:
 CASE: C12L14 CRS
 LEAD: Copper (1/2 Hard)
 FINISH: Silver per QQ-S-365

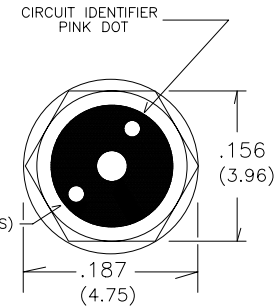
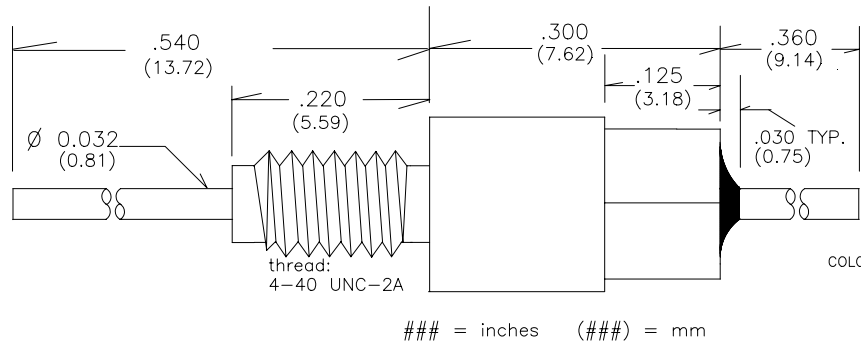
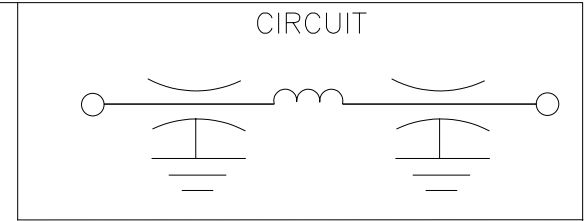
IDENTIFICATION & LIMITS

MARKING: Color Dot standard per chart
 OPERATING TEMP: -55 °C to +125 °C
 INSTALLATION TEMP: N/A
 MAXIMUM MOUNTING TORQUE: 2.0 in*lbs

VENDOR: EMI Filter Company 12750 59th Way N. Clearwater, FL 33760 (727) 585-7990 (727) 586-5138 Fax www.emifiltercompany.com		FILTERS, EMI, TALL HEAD, "Pi" CIRCUIT 4-40 THREADED BODY		
FSCM NO.	DWG NO. T4P502D	REVB	REV B	

- * RoHS Compliant
- * ISO 9001:2000 Registered
- * Discoidal Capacitor Construction

T4P103D
TALL HEAD 4-40
10,000pF Cap. "Pi" Feed-Thru



NOTE: ATTENUATION EFFECTIVENESS OF INDUCTOR IS LOST IF CURRENT THROUGH THE FILTER IS GREATER THAN 250 mA

PART NUMBER	EMI P/N	CAP. (pF)	COLOR DOT(S)	MAX. WVDC	DC AMPS	MINIMUM NO LOAD INSERTION LOSS				
						100 KHz	1 MHz	10 MHz	100 MHz	1 GHz
T4P103D		10,000	2 WHITE	200	10	4	10	32	78	81

ELECTRICAL

CAPACITANCE TOLERANCE: +100/-0%
DISSIPATION FACTOR: 3.5% MAX.
INSULATION RESISTANCE:
25 °C=1000 MΩμ F Min.
125 °C=100 MΩμ F Min.
DIELECTRIC STRENGTH (DWV):
250% of WVDC (5 seconds)
TEMPERATURE CHARACTERISTIC:
X7R or better

PHYSICAL

DIMENSION TOLERANCE:
CASE LENGTH: +/- .010" (.250mm)
LEAD LENGTH: +/- .030" (.762mm)
LEAD DIAMETER: +/- .002" (.051mm)
MATERIAL AND FINISH:
CASE: C12L14 CRS
LEAD: Copper (1/2 Hard)
FINISH: Silver per QQ-S-365

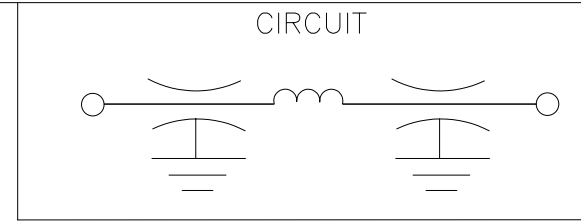
IDENTIFICATION & LIMITS

MARKING: Color Dot standard per chart
OPERATING TEMP: -55 °C to +125 °C
INSTALLATION TEMP: N/A
MAXIMUM MOUNTING TORQUE: 2.0 in*lbs

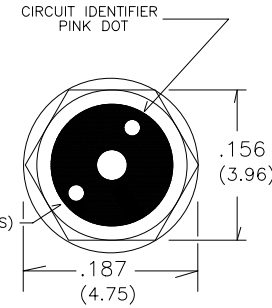
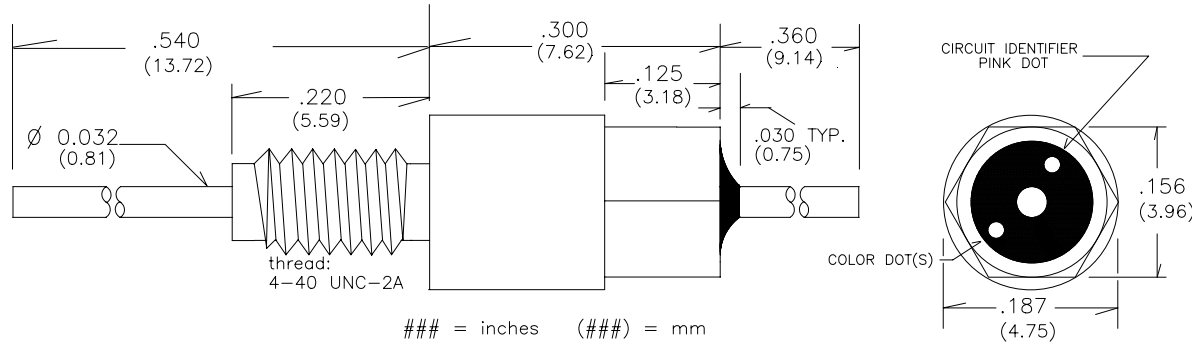
VENDOR: EMI Filter Company 12750 59th Way N. Clearwater, FL 33760 (727) 585-7990 (727) 586-5138 Fax www.emifiltercompany.com		FILTERS, EMI, TALL HEAD, "Pi" CIRCUIT 4-40 THREADED BODY		
FSCM NO.	DWG NO. T4P103D	REVB	REV B	

- * RoHS Compliant
- * ISO 9001:2000 Registered
- * Discoidal Capacitor Construction

T4P303B
TALL HEAD 4-40
30,000pF Cap. "Pi" Feed-Thru



NOTE: ATTENUATION EFFECTIVENESS OF INDUCTOR IS LOST IF CURRENT THROUGH THE FILTER IS GREATER THAN 250 mA



PART NUMBER	EMI P/N	CAP. (pF)	COLOR DOT(S)	MAX. WVDC	DC AMPS	MINIMUM NO LOAD INSERTION LOSS				
						100 KHz	1 MHz	10 MHz	100 MHz	1 GHz
T4P303B		10,000	2 WHITE	100	10	6	16	50	85	85

ELECTRICAL

CAPACITANCE TOLERANCE: +100/-0%
 DISSIPATION FACTOR: 3.5% MAX.
 INSULATION RESISTANCE:
 25 °C=1000 MΩμF Min.
 125° C=100 MΩμF Min.
 DIELECTRIC STRENGTH (DWV):
 250% of WVDC (5 seconds)
 TEMPERATURE CHARACTERISTIC:
 X7R or better

PHYSICAL

DIMENSION TOLERANCE:
 CASE LENGTH: +/- .010" (.250mm)
 LEAD LENGTH: +/- .030" (.762mm)
 LEAD DIAMETER: +/- .002" (.051mm)
 MATERIAL AND FINISH:
 CASE: C12L14 CRS
 LEAD: Copper (1/2 Hard)
 FINISH: Silver per QQ-S-365

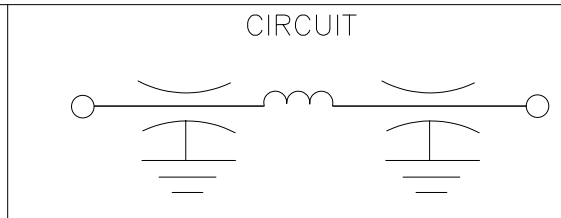
IDENTIFICATION & LIMITS

MARKING: Color Dot standard per chart
 OPERATING TEMP: -55° C to +125° C
 INSTALLATION TEMP: N/A
 MAXIMUM MOUNTING TORQUE: 2.0 in*lbs

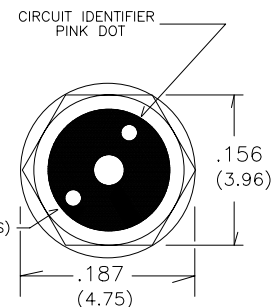
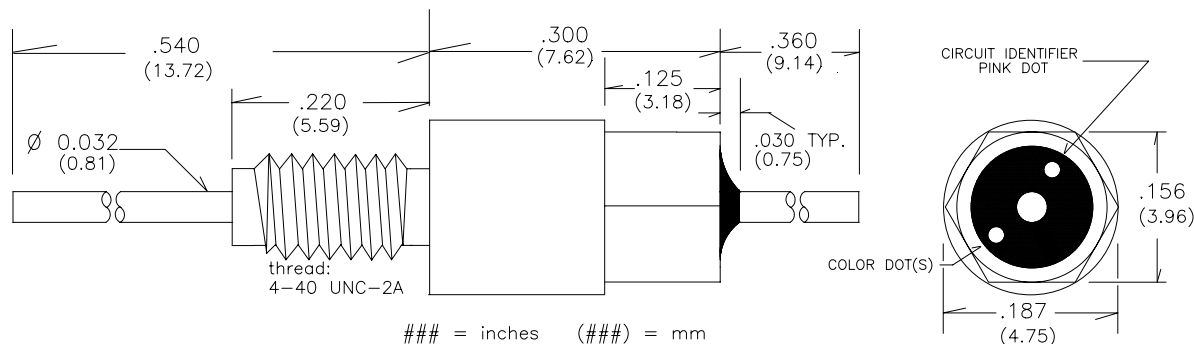
VENDOR: EMI Filter Company 12750 59th Way N. Clearwater, FL 33760 (727) 585-7990 (727) 586-5138 Fax www.emifiltercompany.com		FILTERS, EMI, TALL HEAD, "Pi" CIRCUIT 4-40 THREADED BODY		
FSCM NO.	DWG NO. T4P303B	REVB	REV B	

- * RoHS Compliant
- * ISO 9001:2000 Registered
- * Discoidal Capacitor Construction

T4P104A
TALL HEAD 4-40
100,000pF Cap. "Pi" Feed-Thru



NOTE: ATTENUATION EFFECTIVENESS OF INDUCTOR IS LOST IF CURRENT THROUGH THE FILTER IS GREATER THAN 250 mA



PART NUMBER	EMI P/N	CAP. (pF)	COLOR DOT(S)	MAX. WVDC	DC AMPS	MINIMUM NO LOAD INSERTION LOSS				
						100 KHz	1 MHz	10 MHz	100 MHz	1 GHz
T4P104A		100,000	3 WHITE	50	10	14	27	73	85	85

ELECTRICAL

CAPACITANCE TOLERANCE: +100/-0%
DISSIPATION FACTOR: 3.5% MAX.
INSULATION RESISTANCE:
25 °C=1000 MΩμ F Min.
125° C=100 MΩμ F Min.
DIELECTRIC STRENGTH (DWV):
250% of WVDC (5 seconds)
TEMPERATURE CHARACTERISTIC:
X7R or better

PHYSICAL

DIMENSION TOLERANCE:
CASE LENGTH: +/- .010" (.250mm)
LEAD LENGTH: +/- .030" (.762mm)
LEAD DIAMETER: +/- .002" (.051mm)
MATERIAL AND FINISH:
CASE: C12L14 CRS
LEAD: Copper (1/2 Hard)
FINISH: Silver per QQ-S-365

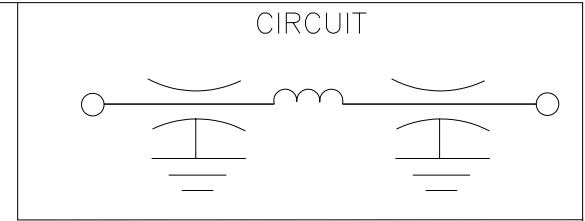
IDENTIFICATION & LIMITS

MARKING: Color Dot standard per chart
OPERATING TEMP: -55 °C to +125 °C
INSTALLATION TEMP: N/A
MAXIMUM MOUNTING TORQUE: 2.0 in*lbs

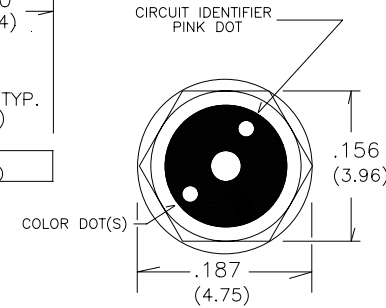
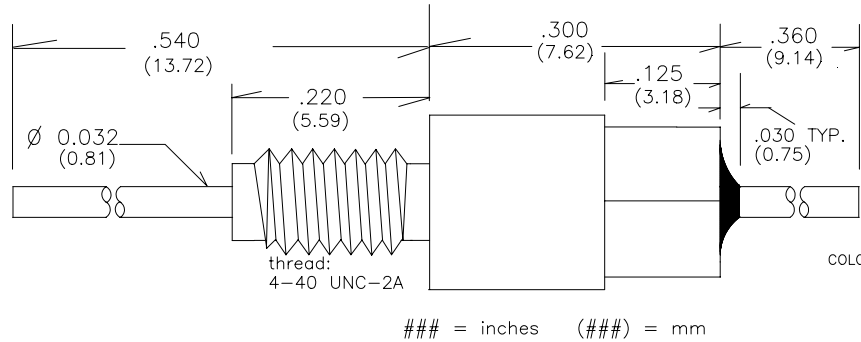
VENDOR: EMI Filter Company 12750 59th Way N. Clearwater, FL 33760 (727) 585-7990 (727) 586-5138 Fax www.emifiltercompany.com		FILTERS, EMI, TALL HEAD, "Pi" CIRCUIT 4-40 THREADED BODY		
FSCM NO.	DWG NO. T4P104A REV B	REV B		

- * RoHS Compliant
- * ISO 9001:2000 Registered
- * Discoidal Capacitor Construction

T4P204A
TALL HEAD 4-40
200,000pF Cap. "Pi" Feed-Thru



NOTE: ATTENUATION EFFECTIVENESS OF INDUCTOR IS LOST IF CURRENT THROUGH THE FILTER IS GREATER THAN 250 mA



PART NUMBER	EMI P/N	CAP. (pF)	COLOR DOT(S)	MAX. WVDC	DC AMPS	MINIMUM NO LOAD INSERTION LOSS				
						100 KHz	1 MHz	10 MHz	100 MHz	1 GHz
T4P204A		200,000	2 GREEN	50	10	18	32	80	85	90

ELECTRICAL

CAPACITANCE TOLERANCE: +100/-0%
DISSIPATION FACTOR: 3.5% MAX.
INSULATION RESISTANCE:
25 °C=1000 MΩμ F Min.
125° C=100 MΩμ F Min.
DIELECTRIC STRENGTH (DWV):
250% of WVDC (5 seconds)
TEMPERATURE CHARACTERISTIC:
X7R or better

PHYSICAL

DIMENSION TOLERANCE:
CASE LENGTH: +/- .010" (.250mm)
LEAD LENGTH: +/- .030" (.762mm)
LEAD DIAMETER: +/- .002" (.051mm)
MATERIAL AND FINISH:
CASE: C12L14 CRS
LEAD: Copper (1/2 Hard)
FINISH: Silver per QQ-S-365

IDENTIFICATION & LIMITS

MARKING: Color Dot standard per chart
OPERATING TEMP: -55° C to +125° C
INSTALLATION TEMP: N/A
MAXIMUM MOUNTING TORQUE: 2.0 in*lbs

VENDOR: EMI Filter Company 12750 59th Way N. Clearwater, FL 33760 (727) 585-7990 (727) 586-5138 Fax www.emifiltercompany.com		FILTERS, EMI, TALL HEAD, "Pi" CIRCUIT 4-40 THREADED BODY		
FSCM NO.	DWG NO. T4P204A REV B	REV B		