

NOTE: ATTENUATION EFFECTIVENESS OF INDUCTOR IS LOST IF CURRENT THROUGH THE FILTER IS GREATER THAN 250 mA

- * RoHS Compliant
- * ISO 9001:2000 Registered
- * Discoidal Capacitor Construction

PART NUMBER	EMI P/N	CAP. (pF)	COLOR DOT(S)	MAX. WVDC	DC AMPS	MINIMUM NO LOAD INSERTION LOSS				
						100 KHz	1 MHz	10 MHz	100 MHz	1 GHz
	T4T152D	1500	WHITE	200	10			13	37	51
	T4T502D	5000	YELLOW	200	10	3	6	24	48	62
	T4T103D	10,000	2 WHITE	200	10	4	13	32	55	65
	T4T303B	30,000	2 RED	100	10	7	20	40	60	85
	T4T503B	50,000	2 YELLOW	100	10	9	24	44	62	85
	T4T104A	100,000	3 WHITE	50	10	14	30	48	62	88

CAPACITANCE TOLERANCE: +100/-0%
DISSIPATION FACTOR: 3.5% MAX.

INSULATION RESISTANCE: 25° C=1000 MΩμ F Min.
125° C= 100 MΩμ F Min.

DIELECTRIC STRENGTH (DWV): 250% of WVDC (5 Seconds)

OPERATING TEMPERATURE: -55° C to +125° C

TEMPERATURE CHARACTERISTIC: X7R or better

MARKING: Color Dot standard per chart

MAXIMUM MOUNTING TORQUE: 2.0 in*lbs

INSTALLATION TEMPERATURE: N/A

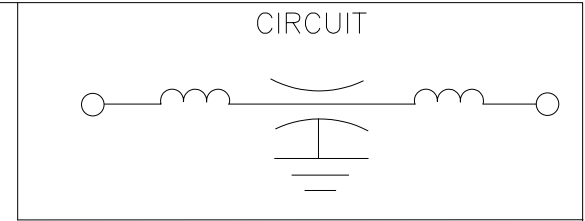
DIMENSION TOLERANCE:
CASE: +/- .010" (.250mm)
LEAD LENGTH: +/- .030" (.762mm)
LEAD DIAMETER: +/- .002" (.051mm)

MATERIAL AND FINISH:
CASE: C12L14 CRS
LEAD: Copper (1/2 Hard)
FINISH: Silver per QQ-S-365

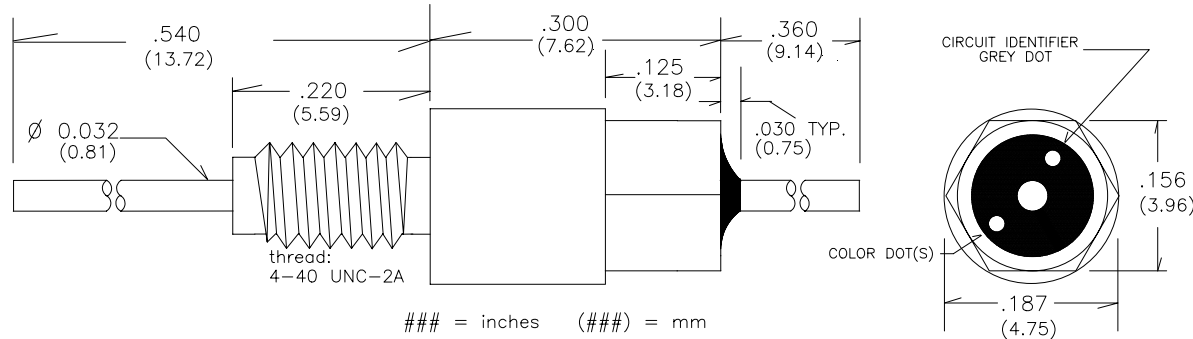
VENDOR: EMI Filter Company 12750 59th Way N. Clearwater, FL 33760 (727) 585-7990 (727) 586-5138 Fax www.emifiltercompany.com		FILTERS, EMI, TALL HEAD, "T" CIRCUIT 4-40 THREADED BODY		
FSCM NO.	DWG NO. T4Ts REVB	REV B		

- * RoHS Compliant
- * ISO 9001:2000 Registered
- * Discoidal Capacitor Construction

T4T152D
TALL HEAD 4-40
1,500pF Cap. "T" Feed-Thru



NOTE: ATTENUATION EFFECTIVENESS OF INDUCTOR IS LOST IF CURRENT THROUGH THE FILTER IS GREATER THAN 250 mA



PART NUMBER	EMI P/N	CAP. (pF)	COLOR DOT(S)	MAX. WVDC	DC AMPS	MINIMUM NO LOAD INSERTION LOSS				
						100 KHz	1 MHz	10 MHz	100 MHz	1 GHz
T4T152D		1,500	WHITE	200	10	---	---	13	37	51

ELECTRICAL

CAPACITANCE TOLERANCE: +100/-0%
 DISSIPATION FACTOR: 3.5% MAX.
 INSULATION RESISTANCE:
 25 °C=1000 MΩμF Min.
 125 °C=100 MΩμF Min.
 DIELECTRIC STRENGTH (DWV):
 250% of WVDC (5 seconds)
 TEMPERATURE CHARACTERISTIC:
 X7R or better

PHYSICAL

DIMENSION TOLERANCE:
 CASE LENGTH: +/- .010" (.250mm)
 LEAD LENGTH: +/- .030" (.762mm)
 LEAD DIAMETER: +/- .002" (.051mm)
 MATERIAL AND FINISH:
 CASE: C12L14 CRS
 LEAD: Copper (1/2 Hard)
 FINISH: Silver per QQ-S-365

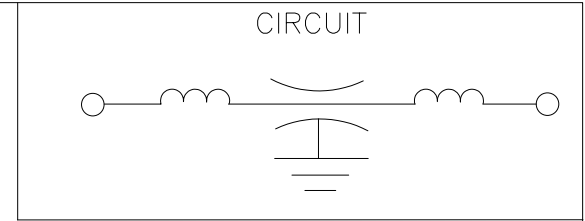
IDENTIFICATION & LIMITS

MARKING: Color Dot standard per chart
 OPERATING TEMP: -55 °C to +125 °C
 INSTALLATION TEMP: N/A
 MAXIMUM MOUNTING TORQUE: 2.0 in*lbs

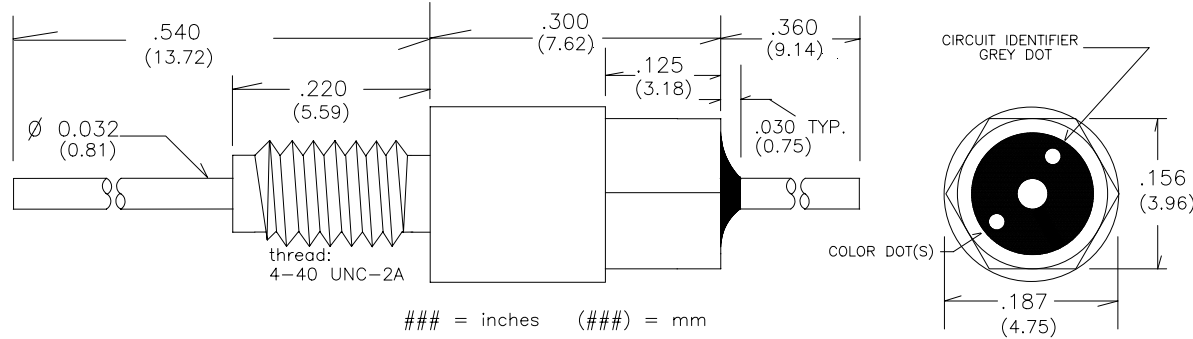
VENDOR: EMI Filter Company 12750 59th Way N. Clearwater, FL 33760 (727) 585-7990 (727) 586-5138 Fax www.emifiltercompany.com		FILTERS, EMI, TALL HEAD, "T" CIRCUIT 4-40 THREADED BODY		
FSCM NO.	DWG NO. T4T152D	REVB	REV B	

- * RoHS Compliant
- * ISO 9001:2000 Registered
- * Discoidal Capacitor Construction

T4T502D
TALL HEAD 4-40
5,000pF Cap. "T" Feed-Thru



NOTE: ATTENUATION EFFECTIVENESS OF INDUCTOR IS LOST IF CURRENT THROUGH THE FILTER IS GREATER THAN 250 mA



PART NUMBER	EMI P/N	CAP. (pF)	COLOR DOT(S)	MAX. WVDC	DC AMPS	MINIMUM NO LOAD INSERTION LOSS				
						100 KHz	1 MHz	10 MHz	100 MHz	1 GHz
T4T502D		5,000	YELLOW	200	10	3	4	24	48	62

ELECTRICAL

CAPACITANCE TOLERANCE: +100/-0%
 DISSIPATION FACTOR: 3.5% MAX.
 INSULATION RESISTANCE:
 25 °C=1000 MΩμF Min.
 125 °C=100 MΩμF Min.
 DIELECTRIC STRENGTH (DWV):
 250% of WVDC (5 seconds)
 TEMPERATURE CHARACTERISTIC:
 X7R or better

PHYSICAL

DIMENSION TOLERANCE:
 CASE LENGTH: +/- .010" (.250mm)
 LEAD LENGTH: +/- .030" (.762mm)
 LEAD DIAMETER: +/- .002" (.051mm)
 MATERIAL AND FINISH:
 CASE: C12L14 CRS
 LEAD: Copper (1/2 Hard)
 FINISH: Silver per QQ-S-365

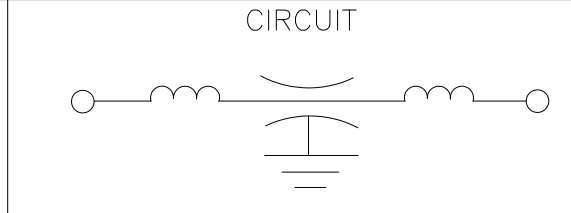
IDENTIFICATION & LIMITS

MARKING: Color Dot standard per chart
 OPERATING TEMP: -55 °C to +125 °C
 INSTALLATION TEMP: N/A
 MAXIMUM MOUNTING TORQUE: 2.0 in*lbs

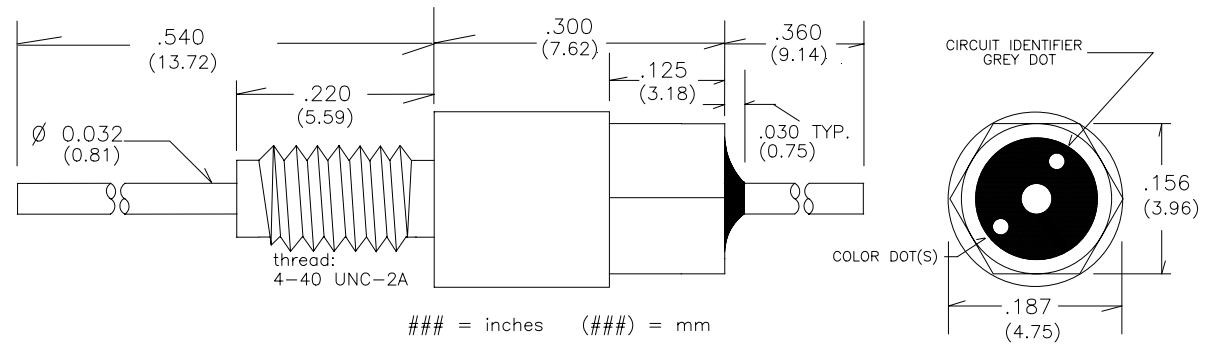
VENDOR: EMI Filter Company 12750 59th Way N. Clearwater, FL 33760 (727) 585-7990 (727) 586-5138 Fax www.emifiltercompany.com		FILTERS, EMI, TALL HEAD, "T" CIRCUIT 4-40 THREADED BODY		
FSCM NO.	DWG NO. T4T502D	REVB	REV B	

- * RoHS Compliant
- * ISO 9001:2000 Registered
- * Discoidal Capacitor Construction

T4T103D
TALL HEAD 4-40
10,000pF Cap. "T" Feed-Thru



NOTE: ATTENUATION EFFECTIVENESS OF INDUCTOR IS LOST IF CURRENT THROUGH THE FILTER IS GREATER THAN 250 mA



PART NUMBER	EMI P/N	CAP. (pF)	COLOR DOT(S)	MAX. WVDC	DC AMPS	MINIMUM NO LOAD INSERTION LOSS				
						100 KHz	1 MHz	10 MHz	100 MHz	1 GHz
T4T103D		10,000	2 WHITE	200	10	4	13	32	55	65

ELECTRICAL

CAPACITANCE TOLERANCE: +100/-0%
 DISSIPATION FACTOR: 3.5% MAX.
 INSULATION RESISTANCE:
 25 °C=1000 MΩμF Min.
 125° C=100 MΩμF Min.
 DIELECTRIC STRENGTH (DWV):
 250% of WVDC (5 seconds)
 TEMPERATURE CHARACTERISTIC:
 X7R or better

PHYSICAL

DIMENSION TOLERANCE:
 CASE LENGTH: +/- .010" (.250mm)
 LEAD LENGTH: +/- .030" (.762mm)
 LEAD DIAMETER: +/- .002" (.051mm)
 MATERIAL AND FINISH:
 CASE: C12L14 CRS
 LEAD: Copper (1/2 Hard)
 FINISH: Silver per QQ-S-365

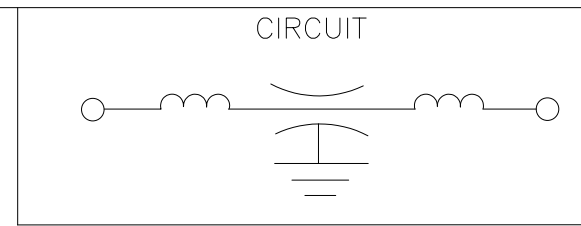
IDENTIFICATION & LIMITS

MARKING: Color Dot standard per chart
 OPERATING TEMP: -55° C to +125° C
 INSTALLATION TEMP: N/A
 MAXIMUM MOUNTING TORQUE: 2.0 in*lbs

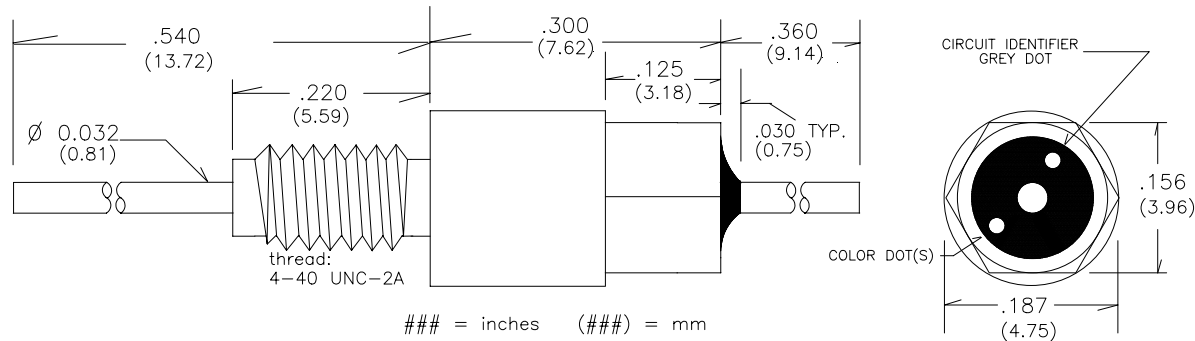
VENDOR: EMI Filter Company 12750 59th Way N. Clearwater, FL 33760 (727) 585-7990 (727) 586-5138 Fax www.emifiltercompany.com		FILTERS, EMI, TALL HEAD, "T" CIRCUIT 4-40 THREADED BODY		
FSCM NO.	DWG NO. T4T103D	REVB	REV B	

- * RoHS Compliant
- * ISO 9001:2000 Registered
- * Discoidal Capacitor Construction

T4T303B
TALL HEAD 4-40
30,000pF Cap. "T" Feed-Thru



NOTE: ATTENUATION EFFECTIVENESS OF INDUCTOR IS LOST IF CURRENT THROUGH THE FILTER IS GREATER THAN 250 mA



PART NUMBER	EMI P/N	CAP. (pF)	COLOR DOT(S)	MAX. WVDC	DC AMPS	MINIMUM NO LOAD INSERTION LOSS				
						100 KHz	1 MHz	10 MHz	100 MHz	1 GHz
T4T303B		30,000	2 RED	100	10	7	20	40	60	85

ELECTRICAL

CAPACITANCE TOLERANCE: +100/-0%
 DISSIPATION FACTOR: 3.5% MAX.
 INSULATION RESISTANCE:
 25 °C=1000 MΩμ F Min.
 125° C=100 MΩμ F Min.
 DIELECTRIC STRENGTH (DWV):
 250% of WVDC (5 seconds)
 TEMPERATURE CHARACTERISTIC:
 X7R or better

PHYSICAL

DIMENSION TOLERANCE:
 CASE LENGTH: +/- .010" (.250mm)
 LEAD LENGTH: +/- .030" (.762mm)
 LEAD DIAMETER: +/- .002" (.051mm)
 MATERIAL AND FINISH:
 CASE: C12L14 CRS
 LEAD: Copper (1/2 Hard)
 FINISH: Silver per QQ-S-365

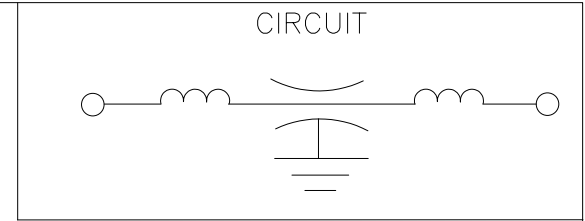
IDENTIFICATION & LIMITS

MARKING: Color Dot standard per chart
 OPERATING TEMP: -55° C to +125° C
 INSTALLATION TEMP: N/A
 MAXIMUM MOUNTING TORQUE: 2.0 in*lbs

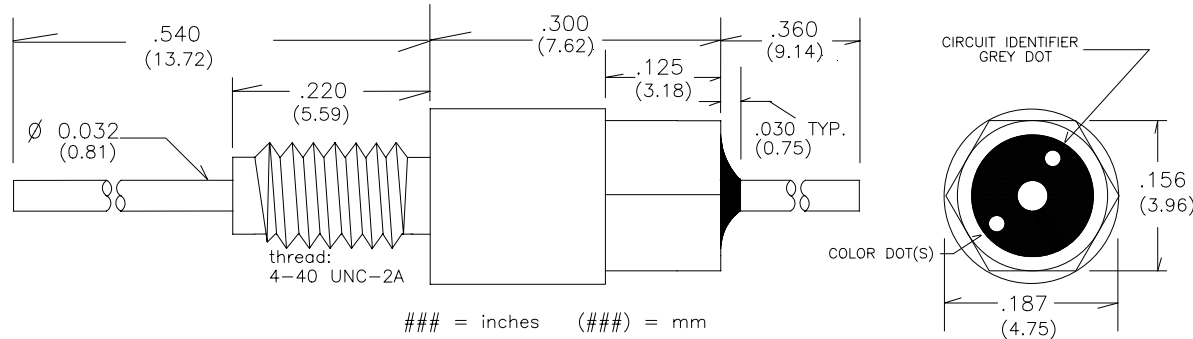
VENDOR: EMI Filter Company 12750 59th Way N. Clearwater, FL 33760 (727) 585-7990 (727) 586-5138 Fax www.emifiltercompany.com		FILTERS, EMI, TALL HEAD, "T" CIRCUIT 4-40 THREADED BODY		
FSCM NO.	DWG NO. T4T303B	REVB	REV B	

- * RoHS Compliant
- * ISO 9001:2000 Registered
- * Discoidal Capacitor Construction

T4T503B
TALL HEAD 4-40
50,000pF Cap. "T" Feed-Thru



NOTE: ATTENUATION EFFECTIVENESS OF INDUCTOR IS LOST IF CURRENT THROUGH THE FILTER IS GREATER THAN 250 mA



PART NUMBER	EMI P/N	CAP. (pF)	COLOR DOT(S)	MAX. WVDC	DC AMPS	MINIMUM NO LOAD INSERTION LOSS				
						100 KHz	1 MHz	10 MHz	100 MHz	1 GHz
T4T503B		50,000	2 YELLOW	100	10	9	24	44	62	85

ELECTRICAL

CAPACITANCE TOLERANCE: +100/-0%
DISSIPATION FACTOR: 3.5% MAX.
INSULATION RESISTANCE:
25 °C=1000 MΩμ F Min.
125 °C=100 MΩμ F Min.
DIELECTRIC STRENGTH (DWV):
250% of WVDC (5 seconds)
TEMPERATURE CHARACTERISTIC:
X7R or better

PHYSICAL

DIMENSION TOLERANCE:
CASE LENGTH: +/- .010" (.250mm)
LEAD LENGTH: +/- .030" (.762mm)
LEAD DIAMETER: +/- .002" (.051mm)
MATERIAL AND FINISH:
CASE: C12L14 CRS
LEAD: Copper (1/2 Hard)
FINISH: Silver per QQ-S-365

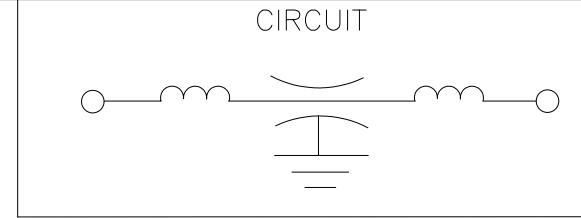
IDENTIFICATION & LIMITS

MARKING: Color Dot standard per chart
OPERATING TEMP: -55 °C to +125 °C
INSTALLATION TEMP: N/A
MAXIMUM MOUNTING TORQUE: 2.0 in*lbs

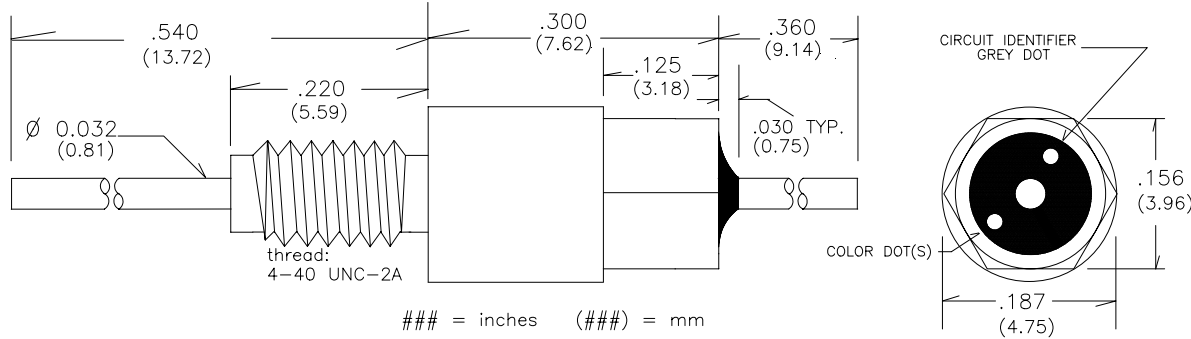
VENDOR: EMI Filter Company 12750 59th Way N. Clearwater, FL 33760 (727) 585-7990 (727) 586-5138 Fax www.emifiltercompany.com		FILTERS, EMI, TALL HEAD, "T" CIRCUIT 4-40 THREADED BODY		
FSCM NO.	DWG NO. T4T503B	REVB	REV B	

- * RoHS Compliant
- * ISO 9001:2000 Registered
- * Discoidal Capacitor Construction

T4T104A
TALL HEAD 4-40
100,000pF Cap. "T" Feed-Thru



NOTE: ATTENUATION EFFECTIVENESS OF INDUCTOR IS LOST IF CURRENT THROUGH THE FILTER IS GREATER THAN 250 mA



PART NUMBER	EMI P/N	CAP. (pF)	COLOR DOT(S)	MAX. WVDC	DC AMPS	MINIMUM NO LOAD INSERTION LOSS				
						100 KHz	1 MHz	10 MHz	100 MHz	1 GHz
T4T104A		100,000	3 WHITE	50	10	14	30	48	61	88

ELECTRICAL

CAPACITANCE TOLERANCE: +100/-0%
 DISSIPATION FACTOR: 3.5% MAX.
 INSULATION RESISTANCE:
 25 °C=1000 MΩμ F Min.
 125° C=100 MΩμ F Min.
 DIELECTRIC STRENGTH (DWV):
 250% of WVDC (5 seconds)
 TEMPERATURE CHARACTERISTIC:
 X7R or better

PHYSICAL

DIMENSION TOLERANCE:
 CASE LENGTH: +/- .010" (.250mm)
 LEAD LENGTH: +/- .030" (.762mm)
 LEAD DIAMETER: +/- .002" (.051mm)
 MATERIAL AND FINISH:
 CASE: C12L14 CRS
 LEAD: Copper (1/2 Hard)
 FINISH: Silver per QQ-S-365

IDENTIFICATION & LIMITS

MARKING: Color Dot standard per chart
 OPERATING TEMP: -55° C to +125° C
 INSTALLATION TEMP: N/A
 MAXIMUM MOUNTING TORQUE: 2.0 in*lbs

VENDOR: EMI Filter Company 12750 59th Way N. Clearwater, FL 33760 (727) 585-7990 (727) 586-5138 Fax www.emifiltercompany.com		FILTERS, EMI, TALL HEAD, "T" CIRCUIT 4-40 THREADED BODY		
FSCM NO.	DWG NO. T4T104A REVB	REV B		