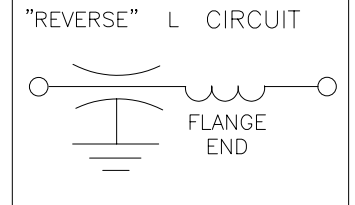
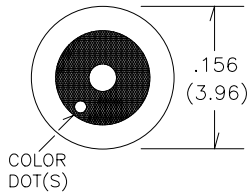


= inches
 (###) = mm



- * RoHS Compliant
- * ISO 9001:2008 Registered
- * Discoidal Capacitor Construction

PART NUMBER	EMI P/N	CAP. (pF)	COLOR DOT(S)	MAX. WVDC	DC AMPS	MINIMUM NO LOAD INSERTION LOSS				
						1 MHz	10 MHz	100 MHz	1 GHz	10 GHz
	ZSR000D	0		200	10					
	ZSR050D	5	2 ORANGE	200	10					
	ZSR100D	10	VIOLET	200	10				7	20
	ZSR250D	25	BLUE	200	10				13	25
	ZSR101D	100	GREEN	200	10			5	22	35
	ZSR501D	500	BROWN	200	10			18	37	38
	ZSR102D	1000	WHITE	200	10		8	25	40	42
	ZSR122D	1200	WHITE	200	10		8	28	42	50
	ZSR152D	1500	WHITE	200	10		10	28	43	53
	ZSR272D	2700	RED	200	10	8	13	32	45	55
	ZSR502B	5000	YELLOW	100	10	8	17	35	47	55
	ZSR103B	10,000	2 WHITE	100	10	8	27	48	65	65
	ZSR153B	15,000	2 WHITE	100	10	10	28	50	65	65
	ZSR273A	27,000	2 RED	50	10	13	33	53	75	75
	ZSR333A	33,000	2 RED	50	10	13	35	55	75	75

CAPACITANCE TOLERANCE: +100/-0%

DISSIPATION FACTOR: 3.5% MAX.

INSULATION RESISTANCE:
 25° C=10,000 Mohm Min.
 125° C=1,000 Mohm Min.

DIELECTRIC STRENGTH (DWV):
 250% of WVDC (5 seconds)

TEMPERATURE CHARACTERISTIC:
 X7R or better

DIMENSION TOLERANCE:

CASE LENGTH: +/- .010" (.250mm)

LEAD LENGTH: +/- .030" (.762mm)

LEAD DIAMETER: +/- .002" (.051mm)

MATERIAL AND FINISH:

CASE: C12L14 CRS

LEAD: Alloy 52

FINISH: GOLD per MIL-G-45204

TYPE II, CLASS 0

VENDOR:

EMI FILTER COMPANY
 12750 59th Way N.
 Clearwater, FL 33760

(727) 585-7990
 (727) 586-5138 FAX

www.emifiltercompany.com

IDENTIFICATION & LIMITS

MARKING: Color Dot standard per chart

OPERATING TEMP: -55° C to +125° C

INSTALLATION TEMPERATURE: 225° - 250° C

FILTERS, EMI, SOLDER-IN STYLE,
 STANDARD SEAL

FSCM NO.

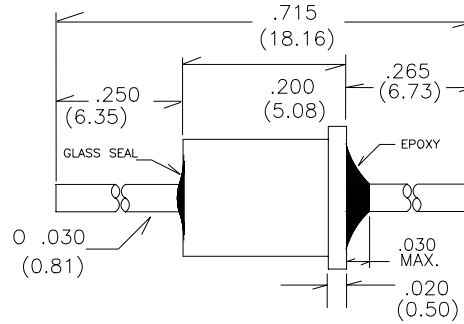
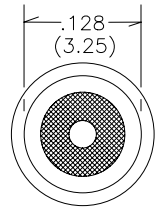
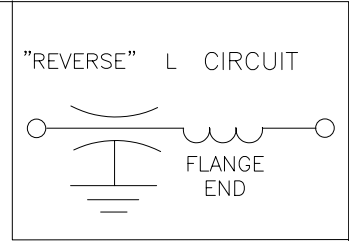
DWG NO.

ZSRs REVC

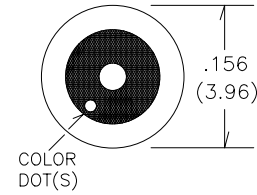
REV

C

ZSR000D
 .128" DIAMETER "0" pF
 REVERSE "L" CIRCUIT HERMETIC SOLDER-IN



= inches
 (###) = mm



- * RoHS Compliant
- * ISO 9001:2008 Registered
- * Discoidal Capacitor Construction

PART NUMBER	EMI P/N	CAP. (pF)	COLOR DOT(S)	MAX. WVDC	DC AMPS	MINIMUM NO LOAD INSERTION LOSS				
						1 MHz	10 MHz	100 MHz	1 GHz	10 GHz
ZSR000D		0	NONE	200	10	-	-	-	-	-

ELECTRICAL

CAPACITANCE TOLERANCE: +100/-0%
 DISSIPATION FACTOR: 3.5% MAX.
 INSULATION RESISTANCE:
 25° C=10,000 Mohm Min.
 125° C=1,000 Mohm Min.
 DIELECTRIC STRENGTH (DWV):
 250% of WVDC (5 seconds)
 TEMPERATURE CHARACTERISTIC:
 X7R or better

PHYSICAL

DIMENSION TOLERANCE:
 CASE LENGTH: +/- .010" (.250mm)
 LEAD LENGTH: +/- .030" (.762mm)
 LEAD DIAMETER: +/- .002" (.051mm)
 MATERIAL AND FINISH:
 CASE: C12L14 CRS
 LEAD: Alloy 52
 FINISH: GOLD per MIL-G-45204
 TYPE II, CLASS 0 (std)

IDENTIFICATION & LIMITS

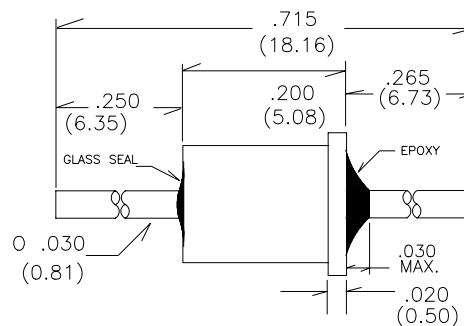
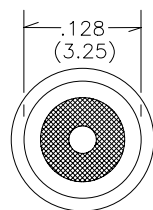
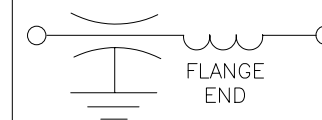
MARKING: Color Dot standard per chart
 OPERATING TEMP: -55° C to +125° C
 INSTALLATION TEMPERATURE: 225° - 250° C

VENDOR:
 EMI FILTER COMPANY
 12750 59th Way N.
 Clearwater, FL 33760
 (727) 585-7990
 (727) 586-5138 FAX
 www.emifiltercompany.com

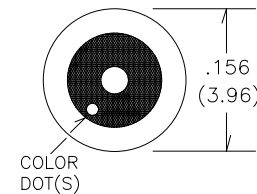
FILTERS, EMI, SOLDER-IN STYLE, STANDARD SEAL		
FSCM NO.	DWG NO.	REV
	ZSR000D REVC	C

ZSR050D
 .128" DIAMETER 5pF
 REVERSE "L" CIRCUIT HERMETIC SOLDER-IN

"REVERSE" L CIRCUIT



= inches
 (###) = mm



- * RoHS Compliant
- * ISO 9001:2008 Registered
- * Discoidal Capacitor Construction

PART NUMBER	EMI P/N	CAP. (pF)	COLOR DOT(S)	MAX. WVDC	DC AMPS	MINIMUM NO LOAD INSERTION LOSS				
						1 MHz	10 MHz	100 MHz	1 GHz	10 GHz
ZSR050D		5	2 ORANGE	200	10	-	-	-	-	-

ELECTRICAL

CAPACITANCE TOLERANCE: +100/-0%
 DISSIPATION FACTOR: 3.5% MAX.
 INSULATION RESISTANCE:
 25° C=10,000 Mohm Min.
 125° C=1,000 Mohm Min.
 DIELECTRIC STRENGTH (DWV):
 250% of WVDC (5 seconds)
 TEMPERATURE CHARACTERISTIC:
 X7R or better

PHYSICAL

DIMENSION TOLERANCE:
 CASE LENGTH: +/- .010" (.250mm)
 LEAD LENGTH: +/- .030" (.762mm)
 LEAD DIAMETER: +/- .002" (.051mm)
 MATERIAL AND FINISH:
 CASE: C12L14 CRS
 LEAD: Alloy 52
 FINISH: GOLD per MIL-G-45204
 TYPE II, CLASS 0 (std)

IDENTIFICATION & LIMITS

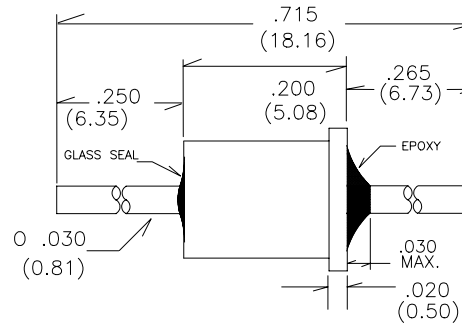
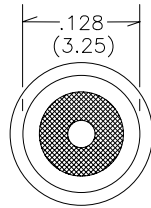
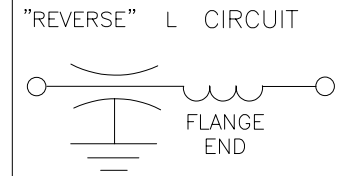
MARKING: Color Dot standard per chart
 OPERATING TEMP: -55° C to +125° C
 INSTALLATION TEMPERATURE: 225° - 250° C

VENDOR:
 EMI FILTER COMPANY
 12750 59th Way N.
 Clearwater, FL 33760
 (727) 585-7990
 (727) 586-5138 FAX
 www.emifiltercompany.com

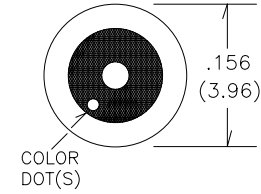
FILTERS, EMI, SOLDER-IN STYLE,
 STANDARD SEAL

FSCM NO.	DWG NO. ZSR050D REVC	REV C
----------	-------------------------	----------

ZSR100D
 .128" DIAMETER 10pF
 REVERSE "L" CIRCUIT HERMETIC SOLDER-IN



= inches
 (###) = mm



- * RoHS Compliant
- * ISO 9001:2008 Registered
- * Discoidal Capacitor Construction

PART NUMBER	EMI P/N	CAP. (pF)	COLOR DOT(S)	MAX. WVDC	DC AMPS	MINIMUM NO LOAD INSERTION LOSS				
						1 MHz	10 MHz	100 MHz	1 GHz	10 GHz
ZSR100D		10	VIOLET	200	10	-	-	-	7	20

ELECTRICAL

CAPACITANCE TOLERANCE: +100/-0%
 DISSIPATION FACTOR: 3.5% MAX.
 INSULATION RESISTANCE:
 25° C=10,000 Mohm Min.
 125° C=1,000 Mohm Min.
 DIELECTRIC STRENGTH (DWV):
 250% of WVDC (5 seconds)
 TEMPERATURE CHARACTERISTIC:
 X7R or better

PHYSICAL

DIMENSION TOLERANCE:
 CASE LENGTH: +/- .010" (.250mm)
 LEAD LENGTH: +/- .030" (.762mm)
 LEAD DIAMETER: +/- .002" (.051mm)
 MATERIAL AND FINISH:
 CASE: C12L14 CRS
 LEAD: Alloy 52
 FINISH: GOLD per MIL-G-45204
 TYPE II, CLASS 0 (std)

IDENTIFICATION & LIMITS

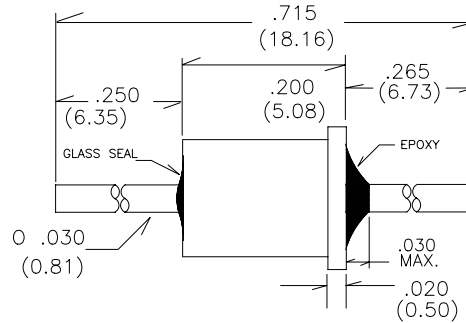
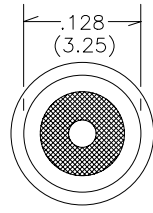
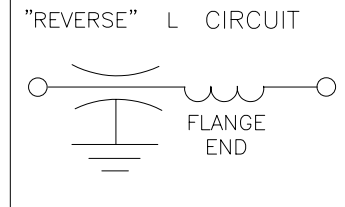
MARKING: Color Dot standard per chart
 OPERATING TEMP: -55° C to +125° C
 INSTALLATION TEMPERATURE: 225° - 250° C

VENDOR:
 EMI FILTER COMPANY
 12750 59th Way N.
 Clearwater, FL 33760
 (727) 585-7990
 (727) 586-5138 FAX
 www.emifiltercompany.com

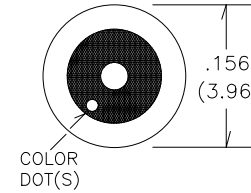
FILTERS, EMI, SOLDER-IN STYLE,
 STANDARD SEAL

FSCM NO.	DWG NO. ZSR100D REVC	REV C
----------	-------------------------	----------

ZSR250D
 .128" DIAMETER 25pF
 REVERSE "L" CIRCUIT HERMETIC SOLDER-IN



= inches
 (###) = mm



- * RoHS Compliant
- * ISO 9001:2008 Registered
- * Discoidal Capacitor Construction

PART NUMBER	EMI P/N	CAP. (pF)	COLOR DOT(S)	MAX. WVDC	DC AMPS	MINIMUM NO LOAD INSERTION LOSS				
						1 MHz	10 MHz	100 MHz	1 GHz	10 GHz
ZSR250D		25	BLUE	200	10	-	-	-	13	25

ELECTRICAL

CAPACITANCE TOLERANCE: +100/-0%

DISSIPATION FACTOR: 3.5% MAX.

INSULATION RESISTANCE:
 25° C=10,000 Mohm Min.
 125° C=1,000 Mohm Min.

DIELECTRIC STRENGTH (DWV):
 250% of WVDC (5 seconds)

TEMPERATURE CHARACTERISTIC:
 X7R or better

PHYSICAL

DIMENSION TOLERANCE:
 CASE LENGTH: +/- .010" (.250mm)
 LEAD LENGTH: +/- .030" (.762mm)
 LEAD DIAMETER: +/- .002" (.051mm)

MATERIAL AND FINISH:
 CASE: C12L14 CRS
 LEAD: Alloy 52
 FINISH: GOLD per MIL-G-45204
 TYPE II, CLASS 0 (std)

IDENTIFICATION & LIMITS

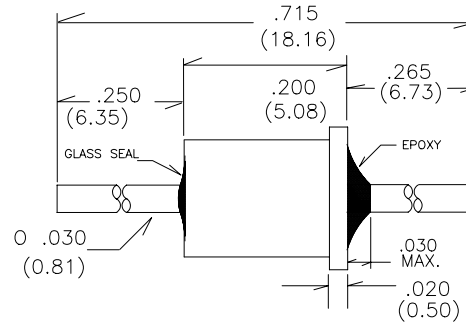
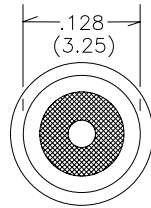
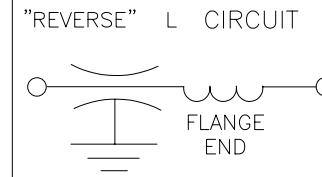
MARKING: Color Dot standard per chart

OPERATING TEMP: -55° C to +125° C

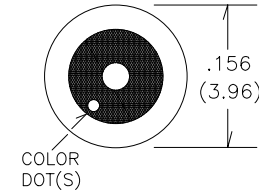
INSTALLATION TEMPERATURE: 225° - 250° C

VENDOR: EMI FILTER COMPANY 12750 59th Way N. Clearwater, FL 33760 (727) 585-7990 (727) 586-5138 FAX www.emifiltercompany.com			FILTERS, EMI, SOLDER-IN STYLE, STANDARD SEAL		
FSCM NO.		DWG NO. ZSR250D REVC		REV C	

ZSR101D
 .128" DIAMETER 100pF
 REVERSE "L" CIRCUIT HERMETIC SOLDER-IN



= inches
 (###) = mm



- * RoHS Compliant
- * ISO 9001:2008 Registered
- * Discoidal Capacitor Construction

PART NUMBER	EMI P/N	CAP. (pF)	COLOR DOT(S)	MAX. WVDC	DC AMPS	MINIMUM NO LOAD INSERTION LOSS				
						1 MHz	10 MHz	100 MHz	1 GHz	10 GHz
ZSR101D		100	GREEN	200	10	-	-	5	22	35

ELECTRICAL

CAPACITANCE TOLERANCE: +100/-0%
 DISSIPATION FACTOR: 3.5% MAX.
 INSULATION RESISTANCE:
 25° C=10,000 Mohm Min.
 125° C=1,000 Mohm Min.
 DIELECTRIC STRENGTH (DWV):
 250% of WVDC (5 seconds)
 TEMPERATURE CHARACTERISTIC:
 X7R or better

PHYSICAL

DIMENSION TOLERANCE:
 CASE LENGTH: +/- .010" (.250mm)
 LEAD LENGTH: +/- .030" (.762mm)
 LEAD DIAMETER: +/- .002" (.051mm)
 MATERIAL AND FINISH:
 CASE: C12L14 CRS
 LEAD: Alloy 52
 FINISH: GOLD per MIL-G-45204
 TYPE II, CLASS 0 (std)

IDENTIFICATION & LIMITS

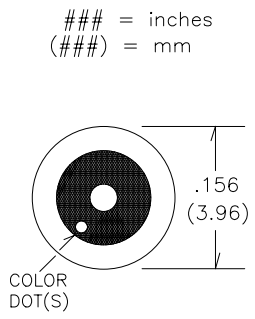
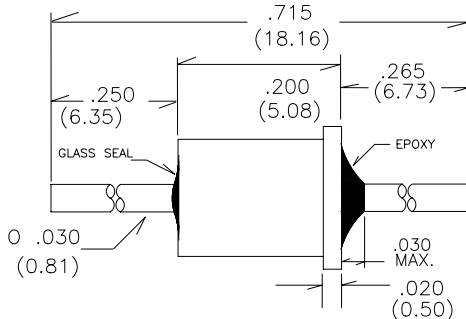
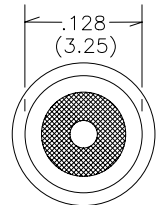
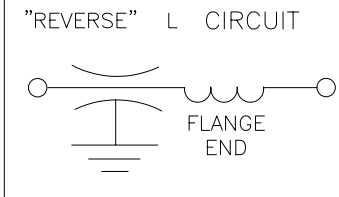
MARKING: Color Dot standard per chart
 OPERATING TEMP: -55° C to +125° C
 INSTALLATION TEMPERATURE: 225° - 250° C

VENDOR:
 EMI FILTER COMPANY
 12750 59th Way N.
 Clearwater, FL 33760
 (727) 585-7990
 (727) 586-5138 FAX
 www.emifiltercompany.com

FILTERS, EMI, SOLDER-IN STYLE,
 STANDARD SEAL

FSCM NO.	DWG NO. ZSR101D REVC	REV C
----------	-------------------------	----------

ZSR501D
 .128" DIAMETER 500pF
 REVERSE "L" CIRCUIT HERMETIC SOLDER-IN



- * RoHS Compliant
- * ISO 9001:2008 Registered
- * Discoidal Capacitor Construction

PART NUMBER	EMI P/N	CAP. (pF)	COLOR DOT(S)	MAX. WVDC	DC AMPS	MINIMUM NO LOAD INSERTION LOSS				
						1 MHz	10 MHz	100 MHz	1 GHz	10 GHz
ZSR501D		500	BROWN	200	10	-	-	18	37	45

ELECTRICAL

CAPACITANCE TOLERANCE: +100/-0%

DISSIPATION FACTOR: 3.5% MAX.

INSULATION RESISTANCE:
 25° C=10,000 Mohm Min.
 125° C=1,000 Mohm Min.

DIELECTRIC STRENGTH (DWV):
 250% of WVDC (5 seconds)

TEMPERATURE CHARACTERISTIC:
 X7R or better

PHYSICAL

DIMENSION TOLERANCE:
 CASE LENGTH: +/- .010" (.250mm)
 LEAD LENGTH: +/- .030" (.762mm)
 LEAD DIAMETER: +/- .002" (.051mm)

MATERIAL AND FINISH:
 CASE: C12L14 CRS
 LEAD: Alloy 52
 FINISH: GOLD per MIL-G-45204
 TYPE II, CLASS 0 (std)

IDENTIFICATION & LIMITS

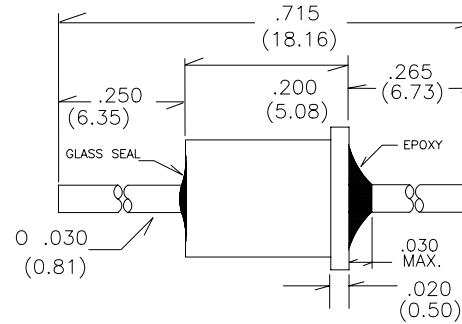
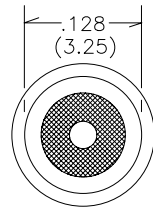
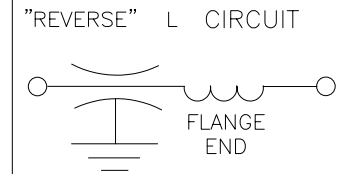
MARKING: Color Dot standard per chart

OPERATING TEMP: -55° C to +125° C

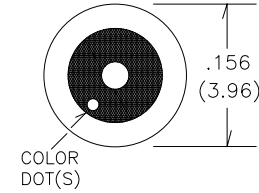
INSTALLATION TEMPERATURE: 225° - 250° C

VENDOR: EMI FILTER COMPANY 12750 59th Way N. Clearwater, FL 33760 (727) 585-7990 (727) 586-5138 FAX www.emifiltercompany.com		FILTERS, EMI, SOLDER-IN STYLE, STANDARD SEAL		
		FSCM NO.	DWG NO. ZSR501D REVC	REV C

ZSR102D
 .128" DIAMETER 1,000pF
 REVERSE "L" CIRCUIT HERMETIC SOLDER-IN



= inches
 (###) = mm



- * RoHS Compliant
- * ISO 9001:2008 Registered
- * Discoidal Capacitor Construction

PART NUMBER	EMI P/N	CAP. (pF)	COLOR DOT(S)	MAX. WVDC	DC AMPS	MINIMUM NO LOAD INSERTION LOSS				
						1 MHz	10 MHz	100 MHz	1 GHz	10 GHz
ZSR102D		1,000	WHITE	200	10	—	8	25	40	40

ELECTRICAL

CAPACITANCE TOLERANCE: +100/-0%
 DISSIPATION FACTOR: 3.5% MAX.
 INSULATION RESISTANCE:
 25° C=10,000 Mohm Min.
 125° C=1,000 Mohm Min.
 DIELECTRIC STRENGTH (DWV):
 250% of WVDC (5 seconds)
 TEMPERATURE CHARACTERISTIC:
 X7R or better

PHYSICAL

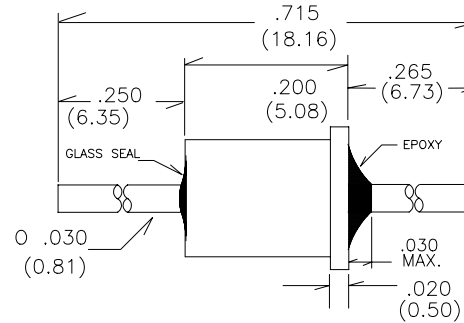
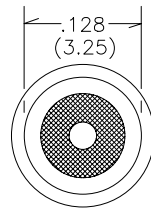
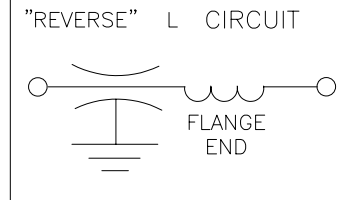
DIMENSION TOLERANCE:
 CASE LENGTH: +/- .010" (.250mm)
 LEAD LENGTH: +/- .030" (.762mm)
 LEAD DIAMETER: +/- .002" (.051mm)
 MATERIAL AND FINISH:
 CASE: C12L14 CRS
 LEAD: Alloy 52
 FINISH: GOLD per MIL-G-45204
 TYPE II, CLASS 0 (std)

IDENTIFICATION & LIMITS

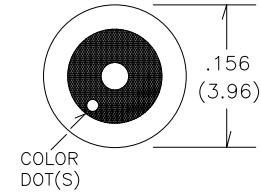
MARKING: Color Dot standard per chart
 OPERATING TEMP: -55° C to +125° C
 INSTALLATION TEMPERATURE: 225° - 250° C

VENDOR: EMI FILTER COMPANY 12750 59th Way N. Clearwater, FL 33760 (727) 585-7990 (727) 586-5138 FAX www.emifiltercompany.com		FILTERS, EMI, SOLDER-IN STYLE, STANDARD SEAL		
FSCM NO.	DWG NO. ZSR102D REVC		REV C	

ZSR122D
 .128" DIAMETER 1,200pF
 REVERSE "L" CIRCUIT HERMETIC SOLDER-IN



= inches
 (###) = mm



- * RoHS Compliant
- * ISO 9001:2008 Registered
- * Discoidal Capacitor Construction

PART NUMBER	EMI P/N	CAP. (pF)	COLOR DOT(S)	MAX. WVDC	DC AMPS	MINIMUM NO LOAD INSERTION LOSS				
						1 MHz	10 MHz	100 MHz	1 GHz	10 GHz
ZSR122D		1,200	WHITE	200	10	-	8	28	42	50

ELECTRICAL

CAPACITANCE TOLERANCE: +100/-0%
 DISSIPATION FACTOR: 3.5% MAX.
 INSULATION RESISTANCE:
 25° C=10,000 Mohm Min.
 125° C=1,000 Mohm Min.
 DIELECTRIC STRENGTH (DWV):
 250% of WVDC (5 seconds)
 TEMPERATURE CHARACTERISTIC:
 X7R or better

PHYSICAL

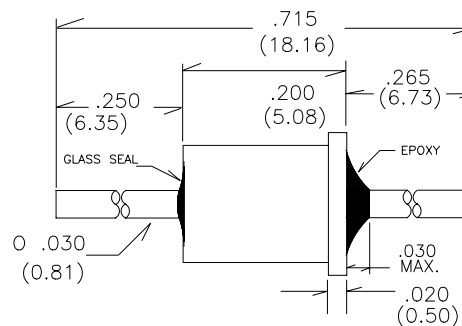
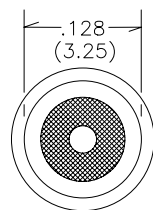
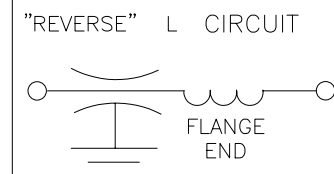
DIMENSION TOLERANCE:
 CASE LENGTH: +/- .010" (.250mm)
 LEAD LENGTH: +/- .030" (.762mm)
 LEAD DIAMETER: +/- .002" (.051mm)
 MATERIAL AND FINISH:
 CASE: C12L14 CRS
 LEAD: Alloy 52
 FINISH: GOLD per MIL-G-45204
 TYPE II, CLASS 0 (std)

IDENTIFICATION & LIMITS

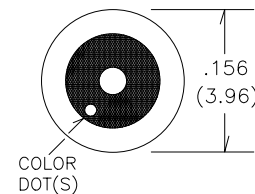
MARKING: Color Dot standard per chart
 OPERATING TEMP: -55° C to +125° C
 INSTALLATION TEMPERATURE: 225° - 250° C

VENDOR: EMI FILTER COMPANY 12750 59th Way N. Clearwater, FL 33760 (727) 585-7990 (727) 586-5138 FAX www.emifiltercompany.com			FILTERS, EMI, SOLDER-IN STYLE, STANDARD SEAL		
FSCM NO.		DWG NO. ZSR122D REVC		REV C	

ZSR152D
 .128" DIAMETER 1,500pF
 REVERSE "L" CIRCUIT HERMETIC SOLDER-IN



= inches
 (###) = mm



- * RoHS Compliant
- * ISO 9001:2008 Registered
- * Discoidal Capacitor Construction

PART NUMBER	EMI P/N	CAP. (pF)	COLOR DOT(S)	MAX. WVDC	DC AMPS	MINIMUM NO LOAD INSERTION LOSS				
						1 MHz	10 MHz	100 MHz	1 GHz	10 GHz
ZSR152D		1,500	WHITE	200	10	-	10	28	43	53

ELECTRICAL

CAPACITANCE TOLERANCE: +100/-0%
 DISSIPATION FACTOR: 3.5% MAX.
 INSULATION RESISTANCE:
 25° C=10,000 Mohm Min.
 125° C=1,000 Mohm Min.
 DIELECTRIC STRENGTH (DWV):
 250% of WVDC (5 seconds)
 TEMPERATURE CHARACTERISTIC:
 X7R or better

PHYSICAL

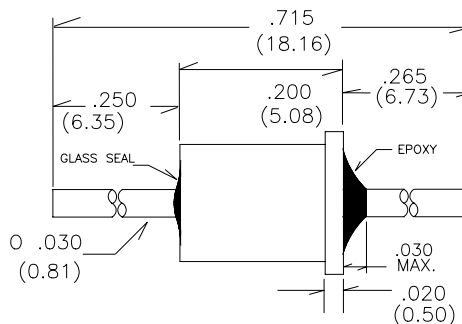
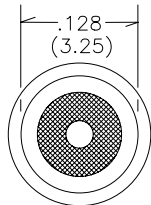
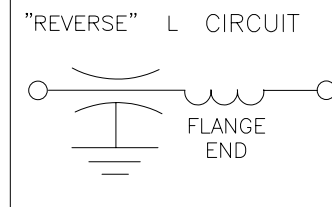
DIMENSION TOLERANCE:
 CASE LENGTH: +/- .010" (.250mm)
 LEAD LENGTH: +/- .030" (.762mm)
 LEAD DIAMETER: +/- .002" (.051mm)
 MATERIAL AND FINISH:
 CASE: C12L14 CRS
 LEAD: Alloy 52
 FINISH: GOLD per MIL-G-45204
 TYPE II, CLASS 0 (std)

IDENTIFICATION & LIMITS

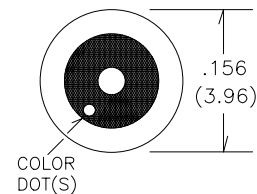
MARKING: Color Dot standard per chart
 OPERATING TEMP: -55° C to +125° C
 INSTALLATION TEMPERATURE: 225° - 250° C

VENDOR: EMI FILTER COMPANY 12750 59th Way N. Clearwater, FL 33760 (727) 585-7990 (727) 586-5138 FAX www.emifiltercompany.com		FILTERS, EMI, SOLDER-IN STYLE, STANDARD SEAL		
FSCM NO.	DWG NO. ZSR152D REVC		REV C	

ZSR272D
 .128" DIAMETER 2,700pF
 REVERSE "L" CIRCUIT HERMETIC SOLDER-IN



= inches
 (###) = mm



- * RoHS Compliant
- * ISO 9001:2008 Registered
- * Discoidal Capacitor Construction

PART NUMBER	EMI P/N	CAP. (pF)	COLOR DOT(S)	MAX. WVDC	DC AMPS	MINIMUM NO LOAD INSERTION LOSS				
						1 MHz	10 MHz	100 MHz	1 GHz	10 GHz
ZSR272D		2,700	RED	200	10	8	13	32	45	55

ELECTRICAL

CAPACITANCE TOLERANCE: +100/-0%
 DISSIPATION FACTOR: 3.5% MAX.
 INSULATION RESISTANCE:
 25° C=10,000 Mohm Min.
 125° C=1,000 Mohm Min.
 DIELECTRIC STRENGTH (DWV):
 250% of WVDC (5 seconds)
 TEMPERATURE CHARACTERISTIC:
 X7R or better

PHYSICAL

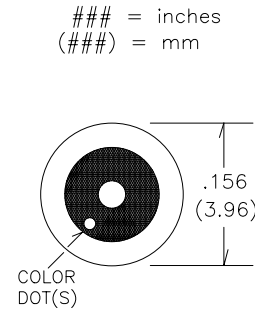
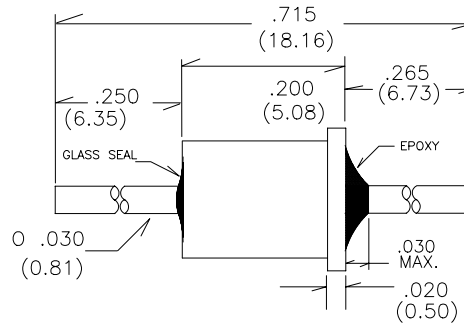
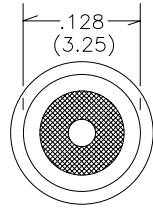
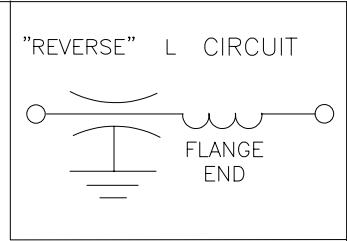
DIMENSION TOLERANCE:
 CASE LENGTH: +/- .010" (.250mm)
 LEAD LENGTH: +/- .030" (.762mm)
 LEAD DIAMETER: +/- .002" (.051mm)
 MATERIAL AND FINISH:
 CASE: C12L14 CRS
 LEAD: Alloy 52
 FINISH: GOLD per MIL-G-45204
 TYPE II, CLASS 0 (std)

IDENTIFICATION & LIMITS

MARKING: Color Dot standard per chart
 OPERATING TEMP: -55° C to +125° C
 INSTALLATION TEMPERATURE: 225° - 250° C

VENDOR: EMI FILTER COMPANY 12750 59th Way N. Clearwater, FL 33760 (727) 585-7990 (727) 586-5138 FAX www.emifiltercompany.com			FILTERS, EMI, SOLDER-IN STYLE, STANDARD SEAL		
FSCM NO.		DWG NO. ZSR272D REVC		REV C	

ZSR502B
 .128" DIAMETER 5,000pF
 REVERSE "L" CIRCUIT HERMETIC SOLDER-IN



- * RoHS Compliant
- * ISO 9001:2008 Registered
- * Discoidal Capacitor Construction

PART NUMBER	EMI P/N	CAP. (pF)	COLOR DOT(S)	MAX. WVDC	DC AMPS	MINIMUM NO LOAD INSERTION LOSS				
						1 MHz	10 MHz	100 MHz	1 GHz	10 GHz
ZSR502B		5,000	YELLOW	100	10	7	17	35	47	55

ELECTRICAL

CAPACITANCE TOLERANCE: +100/-0%
 DISSIPATION FACTOR: 3.5% MAX.
 INSULATION RESISTANCE:
 25° C=10,000 Mohm Min.
 125° C=1,000 Mohm Min.
 DIELECTRIC STRENGTH (DWV):
 250% of WVDC (5 seconds)
 TEMPERATURE CHARACTERISTIC:
 X7R or better

PHYSICAL

DIMENSION TOLERANCE:
 CASE LENGTH: +/- .010" (.250mm)
 LEAD LENGTH: +/- .030" (.762mm)
 LEAD DIAMETER: +/- .002" (.051mm)
 MATERIAL AND FINISH:
 CASE: C12L14 CRS
 LEAD: Alloy 52
 FINISH: GOLD per MIL-G-45204
 TYPE II, CLASS 0 (std)

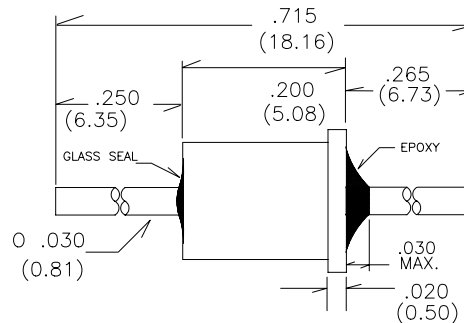
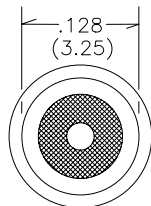
IDENTIFICATION & LIMITS

MARKING: Color Dot standard per chart
 OPERATING TEMP: -55° C to +125° C
 INSTALLATION TEMPERATURE: 225° - 250° C

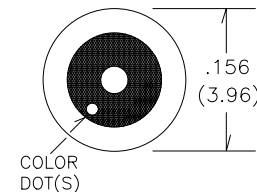
VENDOR: EMI FILTER COMPANY 12750 59th Way N. Clearwater, FL 33760 (727) 585-7990 (727) 586-5138 FAX www.emifiltercompany.com			FILTERS, EMI, SOLDER-IN STYLE, STANDARD SEAL		
FSCM NO.		DWG NO.		REV	
		ZSR502B REVC		C	

ZSR103B
 .128" DIAMETER 10,000pF
 REVERSE "L" CIRCUIT HERMETIC SOLDER-IN

"REVERSE" L CIRCUIT



= inches
 (###) = mm



- * RoHS Compliant
- * ISO 9001:2008 Registered
- * Discoidal Capacitor Construction

PART NUMBER	EMI P/N	CAP. (pF)	COLOR DOT(S)	MAX. WVDC	DC AMPS	MINIMUM NO LOAD INSERTION LOSS				
						1 MHz	10 MHz	100 MHz	1 GHz	10 GHz
ZSR103B		10,000	2 WHITE	100	10	8	27	48	65	65

ELECTRICAL

PHYSICAL

IDENTIFICATION & LIMITS

CAPACITANCE TOLERANCE: +100/-0%
 DISSIPATION FACTOR: 3.5% MAX.
 INSULATION RESISTANCE:
 25° C=10,000 Mohm Min.
 125° C=1,000 Mohm Min.
 DIELECTRIC STRENGTH (DWV):
 250% of WVDC (5 seconds)
 TEMPERATURE CHARACTERISTIC:
 X7R or better

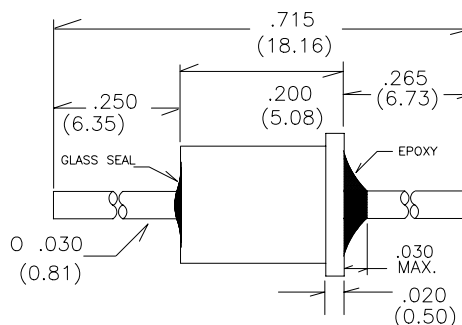
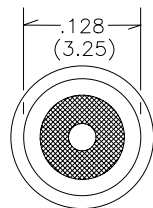
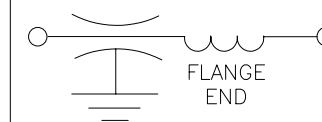
DIMENSION TOLERANCE:
 CASE LENGTH: +/- .010" (.250mm)
 LEAD LENGTH: +/- .030" (.762mm)
 LEAD DIAMETER: +/- .002" (.051mm)
 MATERIAL AND FINISH:
 CASE: C12L14 CRS
 LEAD: Alloy 52
 FINISH: GOLD per MIL-G-45204
 TYPE II, CLASS 0 (std)

MARKING: Color Dot standard per chart
 OPERATING TEMP: -55° C to +125° C
 INSTALLATION TEMPERATURE: 225° - 250° C

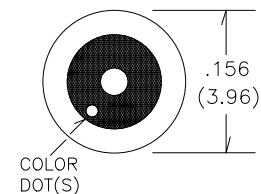
VENDOR: EMI FILTER COMPANY 12750 59th Way N. Clearwater, FL 33760 (727) 585-7990 (727) 586-5138 FAX www.emifiltercompany.com			FILTERS, EMI, SOLDER-IN STYLE, STANDARD SEAL		
FSCM NO.		DWG NO. ZSR103B REVC		REV C	

ZSR153B
 .128" DIAMETER 15,000pF
 REVERSE "L" CIRCUIT HERMETIC SOLDER-IN

"REVERSE" L CIRCUIT



= inches
 (###) = mm



- * RoHS Compliant
- * ISO 9001:2008 Registered
- * Discoidal Capacitor Construction

PART NUMBER	EMI P/N	CAP. (pF)	COLOR DOT(S)	MAX. WVDC	DC AMPS	MINIMUM NO LOAD INSERTION LOSS				
						1 MHz	10 MHz	100 MHz	1 GHz	10 GHz
ZSR153B		15,000	2 WHITE	100	10	10	28	50	65	65

ELECTRICAL

CAPACITANCE TOLERANCE: +100/-0%
 DISSIPATION FACTOR: 3.5% MAX.
 INSULATION RESISTANCE:
 25° C=10,000 Mohm Min.
 125° C=1,000 Mohm Min.
 DIELECTRIC STRENGTH (DWV):
 250% of WVDC (5 seconds)
 TEMPERATURE CHARACTERISTIC:
 X7R or better

PHYSICAL

DIMENSION TOLERANCE:
 CASE LENGTH: +/- .010" (.250mm)
 LEAD LENGTH: +/- .030" (.762mm)
 LEAD DIAMETER: +/- .002" (.051mm)
 MATERIAL AND FINISH:
 CASE: C12L14 CRS
 LEAD: Alloy 52
 FINISH: GOLD per MIL-G-45204
 TYPE II, CLASS 0 (std)

IDENTIFICATION & LIMITS

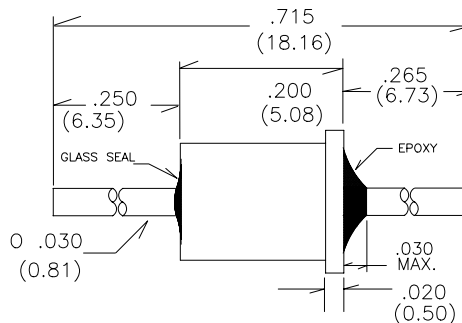
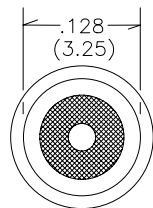
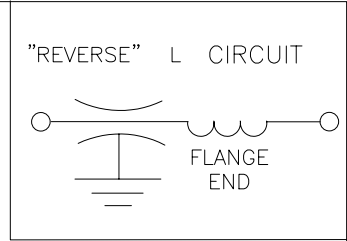
MARKING: Color Dot standard per chart
 OPERATING TEMP: -55° C to +125° C
 INSTALLATION TEMPERATURE: 225° - 250° C

VENDOR:
 EMI FILTER COMPANY
 12750 59th Way N.
 Clearwater, FL 33760
 (727) 585-7990
 (727) 586-5138 FAX
 www.emifiltercompany.com

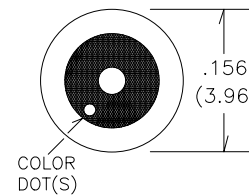
FILTERS, EMI, SOLDER-IN STYLE,
 STANDARD SEAL

FSCM NO.	DWG NO. ZSR153B REVC	REV C
----------	-------------------------	----------

ZSR273A
 .128" DIAMETER 27,000pF
 REVERSE "L" CIRCUIT HERMETIC SOLDER-IN



= inches
 (###) = mm



- * RoHS Compliant
- * ISO 9001:2008 Registered
- * Discoidal Capacitor Construction

PART NUMBER	EMI P/N	CAP. (pF)	COLOR DOT(S)	MAX. WVDC	DC AMPS	MINIMUM NO LOAD INSERTION LOSS				
						1 MHz	10 MHz	100 MHz	1 GHz	10 GHz
ZSR273A		27,000	2 RED	50	10	13	35	53	75	75

ELECTRICAL

CAPACITANCE TOLERANCE: +100/-0%
 DISSIPATION FACTOR: 3.5% MAX.
 INSULATION RESISTANCE:
 25° C=10,000 Mohm Min.
 125° C=1,000 Mohm Min.
 DIELECTRIC STRENGTH (DWV):
 250% of WVDC (5 seconds)
 TEMPERATURE CHARACTERISTIC:
 X7R or better

PHYSICAL

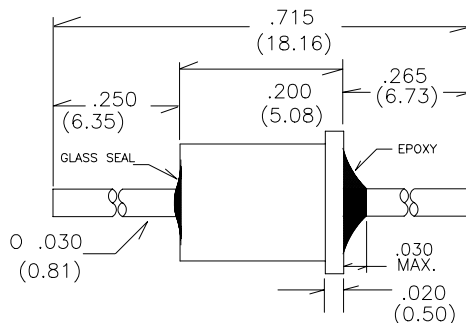
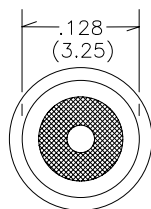
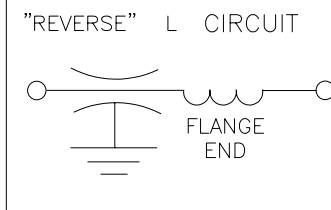
DIMENSION TOLERANCE:
 CASE LENGTH: +/- .010" (.250mm)
 LEAD LENGTH: +/- .030" (.762mm)
 LEAD DIAMETER: +/- .002" (.051mm)
 MATERIAL AND FINISH:
 CASE: C12L14 CRS
 LEAD: Alloy 52
 FINISH: GOLD per MIL-G-45204
 TYPE II, CLASS 0 (std)

IDENTIFICATION & LIMITS

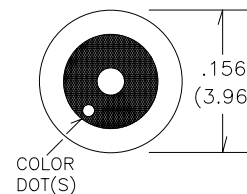
MARKING: Color Dot standard per chart
 OPERATING TEMP: -55° C to +125° C
 INSTALLATION TEMPERATURE: 225° - 250° C

VENDOR: EMI FILTER COMPANY 12750 59th Way N. Clearwater, FL 33760 (727) 585-7990 (727) 586-5138 FAX www.emifiltercompany.com			FILTERS, EMI, SOLDER-IN STYLE, STANDARD SEAL		
FSCM NO.		DWG NO. ZSR273A REVC		REV C	

ZSR333A
 .128" DIAMETER 33,000pF
 REVERSE "L" CIRCUIT HERMETIC SOLDER-IN



= inches
 (###) = mm



- * RoHS Compliant
- * ISO 9001:2008 Registered
- * Discoidal Capacitor Construction

PART NUMBER	EMI P/N	CAP. (pF)	COLOR DOT(S)	MAX. WVDC	DC AMPS	MINIMUM NO LOAD INSERTION LOSS				
						1 MHz	10 MHz	100 MHz	1 GHz	10 GHz
ZSR333A		33,000	2 RED	50	10	13	33	55	75	75

ELECTRICAL

CAPACITANCE TOLERANCE: +100/-0%

DISSIPATION FACTOR: 3.5% MAX.

INSULATION RESISTANCE:
 25° C=10,000 Mohm Min.
 125° C=1,000 Mohm Min.

DIELECTRIC STRENGTH (DWV):
 250% of WVDC (5 seconds)

TEMPERATURE CHARACTERISTIC:
 X7R or better

PHYSICAL

DIMENSION TOLERANCE:
 CASE LENGTH: +/- .010" (.250mm)
 LEAD LENGTH: +/- .030" (.762mm)
 LEAD DIAMETER: +/- .002" (.051mm)

MATERIAL AND FINISH:
 CASE: C12L14 CRS
 LEAD: Alloy 52
 FINISH: GOLD per MIL-G-45204
 TYPE II, CLASS 0 (std)

IDENTIFICATION & LIMITS

MARKING: Color Dot standard per chart

OPERATING TEMP: -55° C to +125° C

INSTALLATION TEMPERATURE: 225° - 250° C

VENDOR: EMI FILTER COMPANY 12750 59th Way N. Clearwater, FL 33760 (727) 585-7990 (727) 586-5138 FAX www.emifiltercompany.com			FILTERS, EMI, SOLDER-IN STYLE, STANDARD SEAL		
FSCM NO.		DWG NO. ZSR333A REVC		REV C	